

Product datasheet

Specifications



Modicon M580, Kit made of: 2x BMEH582040 + 2x 490NAC0100

BMEH582040K

Main

Range Of Product Modicon M580

Complementary

Marking CE

Environment

Vibration Resistance 3 gn

Shock Resistance 30 gn

Ambient Air Temperature For Operation -25...60 °C

Ambient Air Temperature For Storage -40...85 °C

Operating Altitude 0...2000 m
2000...5000 m with derating factor

Relative Humidity 5...95 % at 55 °C without condensation

Ip Degree Of Protection IP20

Directives 2014/35/EU - low voltage directive
2014/30/EU - electromagnetic compatibility

Product Certifications CE
UL
CSA
RCM
EAC
Merchant Navy

Standards EN 61131-2
EN/IEC 61010-2-201
UL 61010-2-201
CSA C22.2 No 61010-2-201
IACS E10
EN/IEC 61000-6-5, interface type 1 and type 2
EN/IEC 61850-3, location G

Environmental Characteristic Hazardous location class I division 2

Net Weight 1.698 kg

Packing Units

Unit Type Of Package 1 PCE

Number Of Units In Package 1 1

Package 1 Height 15.000 cm

Package 1 Width 30.000 cm

Package 1 Length 40.000 cm

Excluding VAT, FCA Jabal Ali & are subject to change – check with your local distributor.

Package 1 Weight

2.200 kg

Sustainability

Green Premium™ label is Schneider Electric's commitment to delivering products with best-in-class environmental performance. Green Premium promises compliance with the latest regulations, transparency on environmental impacts, as well as circular and low-CO₂ products.

Guide to assessing product sustainability is a white paper that clarifies global eco-label standards and how to interpret environmental declarations.

[Learn more about Green Premium >](#)

[Guide to assess a product's sustainability >](#)



Transparency RoHS/REACH

Well-being performance

Mercury Free

RoHS Exemption Information Yes

Certifications & Standards

Reach Regulation [REACH Declaration](#)

Eu RoHS Directive Pro-active compliance (Product out of EU RoHS legal scope)

China RoHS Regulation [China RoHS declaration](#)

Environmental Disclosure [Product Environmental Profile](#)

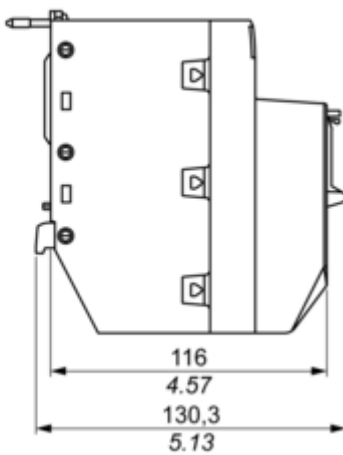
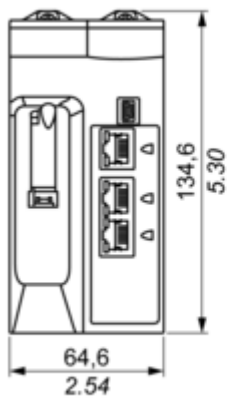
Weee The product must be disposed on European Union markets following specific waste collection and never end up in rubbish bins

Circularity Profile [End of Life Information](#)

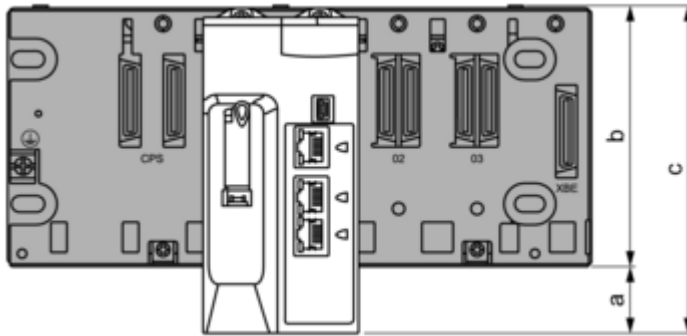
Dimensions Drawings

CPU Module Only

mm
in.



Modules Mounted on Racks

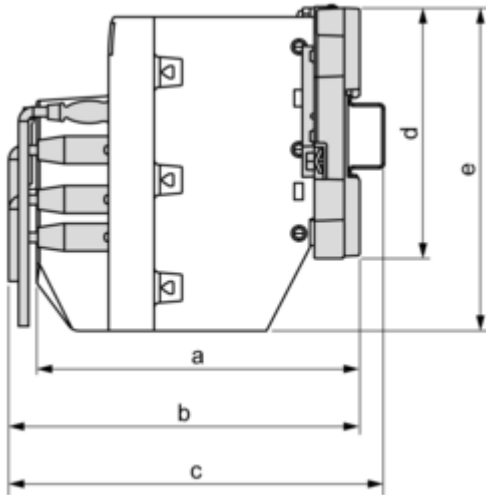


a: additional space below the rack to accommodate the height of the CPU. For an X Bus rack, the value is 30.9 mm (1.217 in.); for an Ethernet rack, the value is 29.49 mm (1.161 in.).

b: the height of the rack. For an X Bus rack, the height is 103.7 mm (4.083 in.); for an Ethernet rack, the height is 105.11 mm (4.138 in.).

c: the height of the main local rack, 134.6 mm (5.299 in.)

Modules and Cables Mounted in an Enclosure



a: enclosure depth: 135 mm (5.315 in.)

b: wiring + module depth: > 146 mm (5.748 in.)

c: wiring + module + DIN rail depth: > 156 mm (6.142 in.)

d: rack height: for an X Bus rack 103.7 mm (4.083 in.); for an Ethernet rack, 105.11 mm (4.138 in.)

e: module height: 134.6 mm (5.299 in.)