

Product datasheet

Specifications



basic digital input kit STB - 24 V DC - 4 I

STBDDI3425K

Main

Range Of Product	Modicon STB distributed I/O solution
Product Or Component Type	Basic digital input kit
Kit Composition	STBXBA1000 base STBDDI3425 module STBXTS2100, 6-terminal spring clamp connector STBXTS1100, 6-terminal screw type connector
Discrete Input Number	4
Discrete Input Voltage	24 V
Discrete Input Voltage Type	DC

Complementary

Input Voltage Limits	11...30 V at state 1 -3...5 V at state 0
Permissible Voltage	30 V
Absolute Maximum Voltage	56 V 1.3 ms
Discrete Input Current	8 mA
Current State 0 Guaranteed	<= 1.2 mA
Current State 1 Guaranteed	>= 2.5 mA
Discrete Input Logic	Positive
Response Time	3.5 ms off-to-on 3.8 ms on-to-off
Protection Type	Power protection integrated fuse on PDM time lag 5 A Input protection resistor-limited Reverse polarity protection
Insulation Between Channels And Logic Bus	1500 V for 1 minute
Cold Swapping	Yes
Hot Swapping	Yes for basic NIMs
Input Filtering	3 ms
Current Supplied By Sensor	50 mA per channel
Product Compatibility	I/O base STBXBA1000 Power distribution module STBPDT3100/3105
[Us] Rated Supply Voltage	24 V DC
Supply	Power distribution module
Current Consumption	45 mA at 5 V DC for logic bus
Marking	CE

Excluding VAT, FCA Jabal Ali & are subject to change – check with your local distributor.

Overvoltage Category	II
Status Led	1 LED (green) module status (RDY) 1 LED per channel (green) channel status (IN1 to IN4)
Depth	65.1 mm
Height	18.4 mm
Width	125 mm
Net Weight	0.111 kg

Environment

Standards	IEC 61131-2 Type 1
Product Certifications	UL FM Class 1 Division 2 CSA
Pollution Degree	2 conforming to IEC 60664-1
Operating Altitude	<= 2000 m
Ip Degree Of Protection	IP20 conforming to IEC 61131-2 class 1
Ambient Air Temperature For Operation	0...60 °C (without derating)
Ambient Air Temperature For Operation	32...140 °F without derating
Ambient Air Temperature For Storage	-40...85 °C without derating
Ambient Air Temperature For Storage	-40...185 °F without derating
Relative Humidity	95 % at 60 °C without condensation
Vibration Resistance	3 gn at 58...150 Hz on 35 x 7.5 mm symmetrical DIN rail 5 gn at 58...150 Hz on 35 x 15 mm symmetrical DIN rail +/-0.35 mm at 10...58 Hz
Shock Resistance	30 gn for 11 ms conforming to IEC 88 reference 2-27

Packing Units

Unit Type Of Package 1	PCE
Number Of Units In Package 1	1
Package 1 Height	2.5 cm
Package 1 Width	8.0 cm
Package 1 Length	13.0 cm
Package 1 Weight	133.0 g
Unit Type Of Package 2	S02
Number Of Units In Package 2	28
Package 2 Height	15.0 cm
Package 2 Width	30.0 cm
Package 2 Length	40.0 cm
Package 2 Weight	4.15 kg
Unit Type Of Package 3	PAL
Number Of Units In Package 3	448
Package 3 Height	60.0 cm
Package 3 Width	80.0 cm

Package 3 Length	448.0 cm
------------------	----------

Package 3 Weight	59.584 kg
------------------	-----------

Contractual warranty

Warranty	18 months
----------	-----------

Sustainability


Green Premium™ label is Schneider Electric's commitment to delivering products with best-in-class environmental performance. Green Premium promises compliance with the latest regulations, transparency on environmental impacts, as well as circular and low-CO₂ products.

Guide to assessing product sustainability is a white paper that clarifies global eco-label standards and how to interpret environmental declarations.

[Learn more about Green Premium >](#)

[Guide to assess a product's sustainability >](#)

Well-being performance

 Mercury Free

 Rohs Exemption Information [Yes](#)

Reach Regulation [REACH Declaration](#)

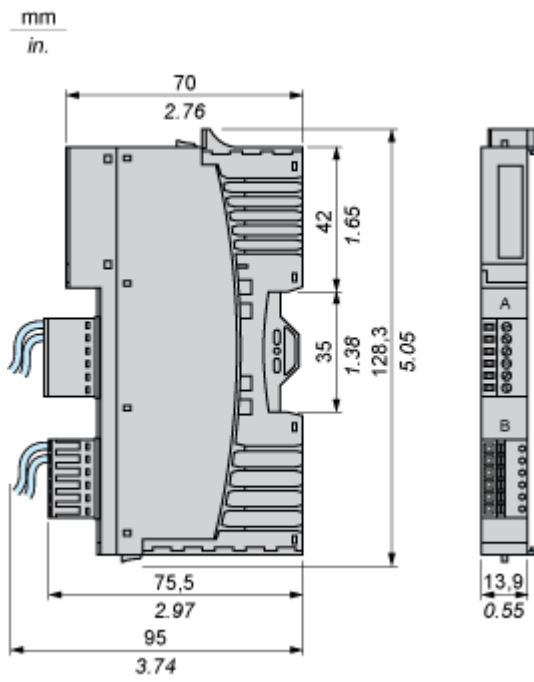
Eu Rohs Directive Pro-active compliance (Product out of EU RoHS legal scope)

China Rohs Regulation [China RoHS declaration](#)

Weee The product must be disposed on European Union markets following specific waste collection and never end up in rubbish bins

Dimensions Drawings

Dimensions

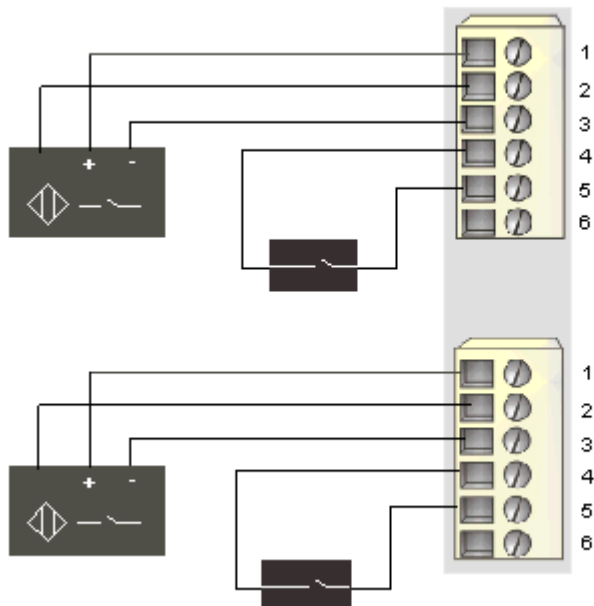


Connections and Schema

Wiring Diagram

Example

2 three-wire sensor and 2 two-wire sensor



Pin	Top Connector	Bottom Connector
1	+24 VDC from sensor bus for field device accessories	+24 VDC from sensor bus for field device accessories
2	input from sensor 1	input from sensor 3
3	field power return (to the module)	field power return (to the module)
4	+24 VDC from sensor bus for field device accessories	+24 VDC from sensor bus for field device accessories
5	input from sensor 2	input from sensor 4
6	field power return (to the module)	field power return (to the module)