

Product datasheet

Specifications



basic digital output kit - Modicon STB - 24 V DC - 4 O

STBDDO3415K

Main

Range Of Product	Modicon STB distributed I/O solution
Product Or Component Type	Basic digital output kit
Kit Composition	STBXBA1000 base STBXTS1100, 6-terminal screw type connector STBXTS2100, 6-terminal spring clamp connector STBDDO3415 module
Discrete Output Number	4
Discrete Output Type	Solid state
Discrete Output Voltage	24 V
Discrete Output Voltage Type	DC

Complementary

Discrete Output Current	250 mA
Discrete Output Logic	Positive
Output Voltage	19.2...30 V DC
Absolute Maximum Voltage	56 V 1.3 ms
Response Time	560 μ s off-to-on 870 μ s on-to-off
Cold Swapping	Yes
Hot Swapping	No for basic NIMs
Protection Type	Power protection integrated fuse on PDM time lag 5 A Reverse polarity protection Short-circuit protection Thermal overload protection
Insulation Between Channels And Logic Bus	1500 V for 1 minute
Maximum Leakage Current	0.4 mA at state 0 30 V
Surge Current	2.5 A 0.5 ms
Maximum Load Capacitance	50 μ F
Maximum Load Inductance	500 mH at 4 Hz
Reset	Manual or automatic reset COM fault
Product Compatibility	I/O base STBXBA1000 Power distribution module STBPDT3100/3105
[Us] Rated Supply Voltage	24 V DC
Supply	Power distribution module
Current Consumption	70 mA at 5 V DC for logic bus

Excluding VAT, FCA Jabal Ali & are subject to change – check with your local distributor.

Marking	CE
Overvoltage Category	II
Status Led	1 LED (green) module status (RDY) 1 LED per channel (green) channel status (OUT1 to OUT4)
Height	13.9 mm
Depth	70 mm
Width	128.3 mm
Net Weight	0.11 kg

Environment

Standards	IEC 61131-2
Product Certifications	CSA FM Class 1 Division 2 UL
Pollution Degree	2 conforming to IEC 60664-1
Operating Altitude	<= 2000 m
Ip Degree Of Protection	IP20 conforming to IEC 61131-2 class 1
Ambient Air Temperature For Operation	0...60 °C (without derating)
Ambient Air Temperature For Operation	32...140 °F without derating
Ambient Air Temperature For Storage	-40...85 °C without derating
Ambient Air Temperature For Storage	-40...185 °F without derating
Relative Humidity	95 % at 60 °C without condensation
Vibration Resistance	3 gn at 58...150 Hz on 35 x 7.5 mm symmetrical DIN rail 5 gn at 58...150 Hz on 35 x 15 mm symmetrical DIN rail +/-0.35 mm at 10...58 Hz
Shock Resistance	30 gn for 11 ms conforming to IEC 88 reference 2-27

Packing Units

Unit Type Of Package 1	PCE
Number Of Units In Package 1	1
Package 1 Height	3.0 cm
Package 1 Width	8.0 cm
Package 1 Length	13.0 cm
Package 1 Weight	134.0 g
Unit Type Of Package 2	S02
Number Of Units In Package 2	28
Package 2 Height	15 cm
Package 2 Width	30 cm
Package 2 Length	40 cm
Package 2 Weight	4.178 kg
Unit Type Of Package 3	P06
Number Of Units In Package 3	448
Package 3 Height	75.0 cm

Package 3 Width	40.0 cm
Package 3 Length	80.0 cm
Package 3 Weight	85.032 kg

Contractual warranty

Warranty	18 months
----------	-----------

Sustainability


Green Premium™ label is Schneider Electric's commitment to delivering products with best-in-class environmental performance. Green Premium promises compliance with the latest regulations, transparency on environmental impacts, as well as circular and low-CO₂ products.

Guide to assessing product sustainability is a white paper that clarifies global eco-label standards and how to interpret environmental declarations.

[Learn more about Green Premium >](#)

[Guide to assess a product's sustainability >](#)

Well-being performance

 Mercury Free

 Rohs Exemption Information [Yes](#)

Reach Regulation [REACH Declaration](#)

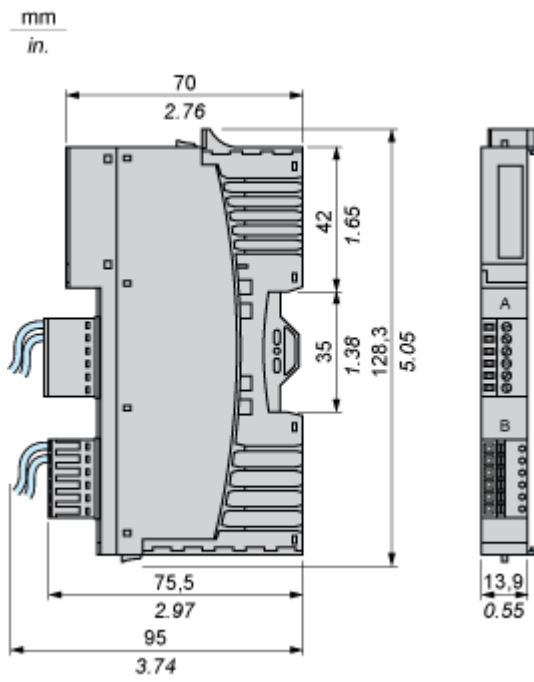
Eu Rohs Directive Pro-active compliance (Product out of EU RoHS legal scope)

China Rohs Regulation [China RoHS declaration](#)

Weee The product must be disposed on European Union markets following specific waste collection and never end up in rubbish bins

Dimensions Drawings

Dimensions

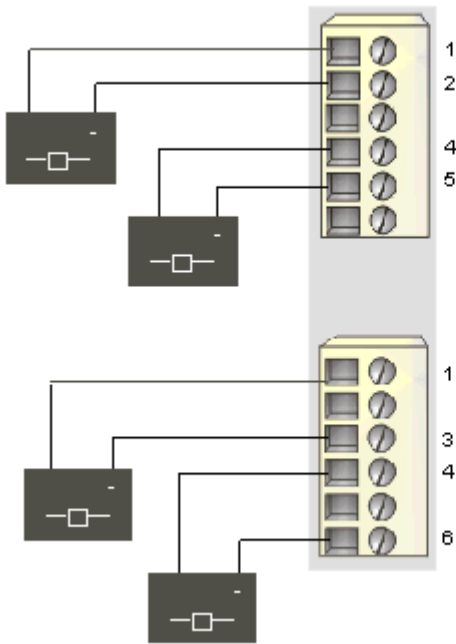


Connections and Schema

Wiring Diagram

Example

4 two-wire actuators



Pin	Top Connector	Bottom Connector
1	output to actuator 1	output to actuator 3
2	field power return	field power return
3	field power return	field power return
4	output to actuator 2	output to actuator 4
5	field power return	field power return
6	field power return	field power return