

# Product datasheet

Specifications



## safety discrete input module, Modicon X80, 16 inputs, 24V DC positive

BMXSDI1602

### Main

Range Of Product	Modicon X80
Product Or Component Type	Discrete input module
Discrete Input Number	16
Discrete Input Type	Not isolated
Input Type	Current sink (logic positive)
Discrete Input Voltage	24 V DC, discrete input logic: positive
Discrete Input Current	3.2 mA

### Complementary

Input Compatibility	With 2-wire/3-wire proximity sensors conforming to IEC 60947-5-2
Sensor Power Supply	19...30 V
Current State 1 Guaranteed	$\geq 2$ mA
Current State 0 Guaranteed	$\leq 1.5$ mA
Input Impedance	7500 Ohm
Insulation Resistance	$> 10$ MOhm 500 V DC
Power Dissipation In W	3.57 W
Dc Typical Response Time	6 ms
Dc Maximum Response Time	6 ms
Paralleling Of Inputs	Yes
Typical Current Consumption	256 mA at 3.3 V DC 100 mA at 24 V
Mtbf Reliability	265000 H
Protection Type	reverse polarity protection External overload protection 0.5 A fast blow
Voltage Detection Threshold	$< 14$ V DC sensor fault $> 18$ V DC sensor OK
Status Led	1 LED (green) module operating (RUN) 1 LED per channel (green) channel diagnostic 1 LED (red) module error (ERR) 1 LED (red) module I/O
Net Weight	0.115 kg

### Environment

Ip Degree Of Protection	IP20
-------------------------	------

<b>Environmental Characteristic</b>	Gas resistant class Gx Gas resistant class 3C4 Dust resistant class 3S4 Sand resistant class 3S4 Salt resistant level 2 Mold growth resistant class 3B2 Fungal spore resistant class 3B2
<b>Dielectric Strength</b>	1500 V AC at 50/60 Hz 1 minute, primary/secondary
<b>Vibration Resistance</b>	3 gn
<b>Shock Resistance</b>	15 gn
<b>Ambient Air Temperature For Storage</b>	-40...85 °C
<b>Ambient Air Temperature For Operation</b>	-25...60 °C
<b>Relative Humidity</b>	5...95 % at 55 °C without condensation
<b>Protective Treatment</b>	Conformal coating
<b>Operating Altitude</b>	0...2000 m 2000...5000 m with derating factor

## Packing Units

<b>Unit Type Of Package 1</b>	PCE
<b>Number Of Units In Package 1</b>	1
<b>Package 1 Height</b>	5.500 cm
<b>Package 1 Width</b>	18.000 cm
<b>Package 1 Length</b>	26.000 cm
<b>Package 1 Weight</b>	338.000 g
<b>Unit Type Of Package 2</b>	S03
<b>Number Of Units In Package 2</b>	8
<b>Package 2 Height</b>	30.000 cm
<b>Package 2 Width</b>	30.000 cm
<b>Package 2 Length</b>	40.000 cm
<b>Package 2 Weight</b>	3.136 kg

## Sustainability

**Green Premium™ label** is Schneider Electric's commitment to delivering products with best-in-class environmental performance. Green Premium promises compliance with the latest regulations, transparency on environmental impacts, as well as circular and low-CO<sub>2</sub> products.

**Guide to assessing product sustainability** is a white paper that clarifies global eco-label standards and how to interpret environmental declarations.

[Learn more about Green Premium >](#)

[Guide to assess a product's sustainability >](#)

## Well-being performance

 Mercury Free

 Rohs Exemption Information [Yes](#)

**Reach Regulation** [REACH Declaration](#)

**Eu Rohs Directive** Pro-active compliance (Product out of EU RoHS legal scope)

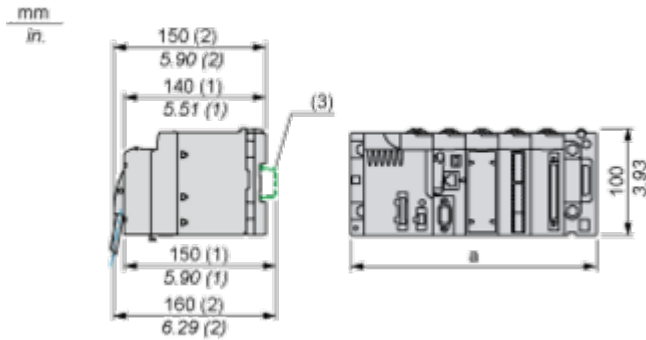
**China Rohs Regulation** [China RoHS declaration](#)

**Weee** The product must be disposed on European Union markets following specific waste collection and never end up in rubbish bins

Dimensions Drawings

Modules Mounted on Racks

Dimensions



(1) With removable terminal block (cage, screw or spring).

(2) With FCN connector.

(3) On AM1 ED rail: 35 mm wide, 15 mm deep. Only possible with BMXXBP0400/0400H/0600/0600H/0800/0800H rack.

Rack references	a in mm	a in in.
BMXXBP0400 and BMXXBP0400H	242.4	09.54
BMXXBP0600 and BMXXBP0600H	307.6	12.11
BMXXBP0800 and BMXXBP0800H	372.8	14.68
BMXXBP1200 and BMXXBP1200H	503.2	19.81