

# Product datasheet

Specifications



## battery - 24 V DC - 40 A - 7 AH - for battery control module

ABL8BPK24A07

### Main

Range of product	Phaseo
Product or component type	Battery module
Battery capacity	7 Ah

### Complementary

Input voltage limits	21...29 V
Charging time	72 h
Load current	0.7 A
Self-discharge rate	9 %, 3 months 3 %, 1 month 15 %, 6 months
Output coupling	Parallel
Operating altitude	2000 m
Marking	CE
Net weight	6.5 kg

### Environment

Product certifications	CTP UL
Ambient air temperature for operation	0...40 °C
Ambient air temperature for storage	-20...50 °C

### Packing Units

Unit Type of Package 1	PCE
Number of Units in Package 1	1
Package 1 Height	19.500 cm
Package 1 Width	20.000 cm
Package 1 Length	26.500 cm
Package 1 Weight	6.173 kg
Unit Type of Package 2	P06

Number of Units in Package 2	12
Package 2 Height	75.000 cm
Package 2 Width	60.000 cm
Package 2 Length	80.000 cm
Package 2 Weight	87.308 kg

## Offer Sustainability

REACH Regulation	<a href="#">REACH Declaration</a>
REACH free of SVHC	Yes
EU RoHS Directive	Not applicable, out of EU RoHS legal scope
China RoHS Regulation	<a href="#">China RoHS declaration</a> Product out of China RoHS scope. Substance declaration for your information
Environmental Disclosure	<a href="#">Product Environmental Profile</a>
Circularity Profile	<a href="#">End of Life Information</a>
PVC free	Yes

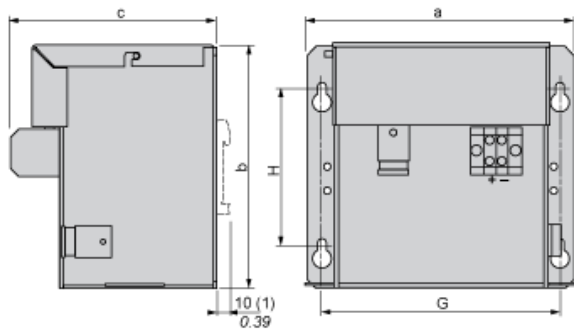
## Contractual warranty

Warranty	18 months
----------	-----------

**24 Vdc Battery Module**

**Dimensions**

mm  
inch



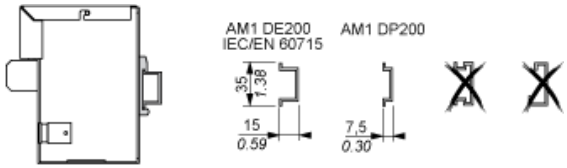
ABL	a	b	c	G	H
8BPK24A03	184/7.24	138,5/5.45	131	156/6.14	83/3.27
8BPK24A07	170/6.69	155,5/6.12	131	152/5.98	100/3.94
8BPK24A12	238/9.29	155,5/6.12	131	218/3.94	100/3.94

(1) ABL8BPK24A03 (with kit ABL1A02)

**24 Vdc Battery Module**

---

**Mounting**



**Wiring Requirements**

---

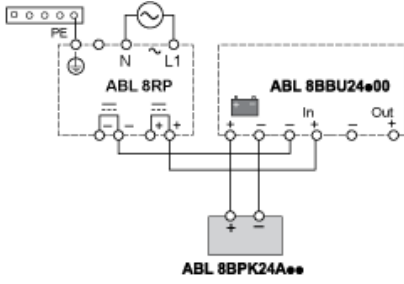
**Cable Types and Wire Sizes**

	<b>ABL 8BBU24200</b>	<b>ABL 8BBU24400</b>				
<b>ABL 8BPK24A</b> +/ - mm <sup>2</sup> /AWG	6 / 10	10 / 6				
		<table border="1"> <tr> <td>Nm</td> <td>1,7 Nm max</td> </tr> <tr> <td>lb-in</td> <td>15</td> </tr> </table>	Nm	1,7 Nm max	lb-in	15
Nm	1,7 Nm max					
lb-in	15					

**24 Vdc Battery Module Wiring**

---

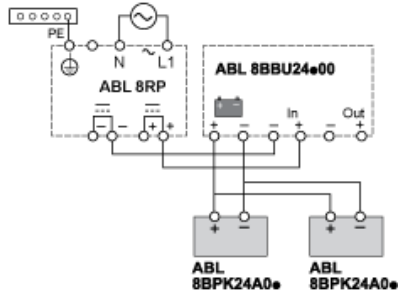
**Wiring Diagram**



**Paralleling 2 x ABL8PK24A0•**

---

**Wiring Diagram**



**Recommended replacement(s)**