

Product datasheet

Specifications



battery - 24 V DC - 75 A - 7 AH - for battery control module

ABL8BPK24A12

Main

Range of product	Phaseo
Product or component type	Battery module
Input voltage	24 V DC
Output voltage	24 V DC
Maximum output current	75 A
Battery capacity	12 Ah
Holding time	< 20 h at 0.6 A, 20 °C > 5 min at 31.3 A, 20 °C

Complementary

Input voltage limits	21...29 V
Charging time	72 h
Load current	1.2 A
Output protection type	Against overload and short-circuits, protection technology: 2 x 30 A automotive type fuses
Connections - terminals	For input connection: screw type terminals, connection capacity: 4 x 0.5...4 x 10 mm ² AWG 20...AWG 8 For output connection: screw type terminals, connection capacity: 4 x 0.5...4 x 10 mm ² AWG 20...AWG 8
Self-discharge rate	15 %, 6 months 9 %, 3 months 3 %, 1 month
Fixing mode	By 2 screws diameter: 5 mm on horizontal panel, operating position: horizontal By 4 screws diameter: 5 mm on vertical panel, operating position: vertical
Output coupling	Parallel
Operating altitude	2000 m
Service life in hours	11000 h at 40 °C 15000 h at 35 °C 22000 h at 30 °C 31000 h at 25 °C 44000 h at 20 °C 5000 h at 50 °C 7300 h at 45 °C
Marking	CE
Net weight	12 kg

Environment

Product certifications	CTP UL
------------------------	-----------

Ambient air temperature for operation	0...40 °C
Ambient air temperature for storage	-20...50 °C
IP degree of protection	IP10 conforming to EN/IEC 60529
Overvoltage category	Class 3 conforming to VDE 0106-1
Vibration resistance	2 gn (f= 11.9...150 Hz) conforming to EN/IEC 61131-2 3.5 mm (f= 3...11.9 Hz) conforming to EN/IEC 61131-2

Packing Units

Unit Type of Package 1	PCE
Number of Units in Package 1	1
Package 1 Height	19.500 cm
Package 1 Width	20.000 cm
Package 1 Length	33.000 cm
Package 1 Weight	10.614 kg
Unit Type of Package 2	P06
Number of Units in Package 2	10
Package 2 Height	75.000 cm
Package 2 Width	60.000 cm
Package 2 Length	80.000 cm
Package 2 Weight	120.270 kg

Offer Sustainability

REACH Regulation	REACH Declaration
REACH free of SVHC	Yes
EU RoHS Directive	Not applicable, out of EU RoHS legal scope
China RoHS Regulation	China RoHS declaration Product out of China RoHS scope. Substance declaration for your information
Environmental Disclosure	Product Environmental Profile
Circularity Profile	End of Life Information
PVC free	Yes

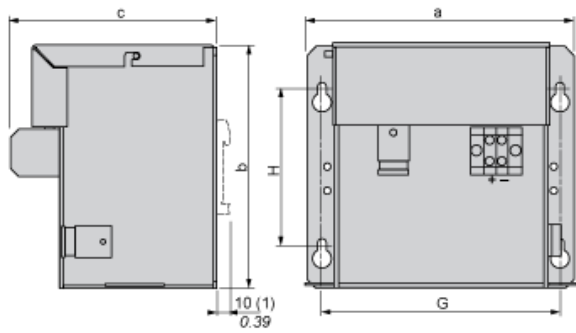
Contractual warranty

Warranty	18 months
-----------------	-----------

24 Vdc Battery Module

Dimensions

mm
inch

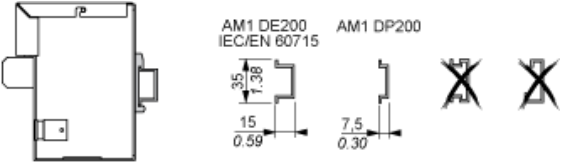


ABL	a	b	c	G	H
8BPK24A03	184/7.24	138,5/5.45	131	156/6.14	83/3.27
8BPK24A07	170/6.69	155,5/6.12	131	152/5.98	100/3.94
8BPK24A12	238/9.29	155,5/6.12	131	218/3.94	100/3.94

(1) ABL8BPK24A03 (with kit ABL1A02)

24 Vdc Battery Module

Mounting



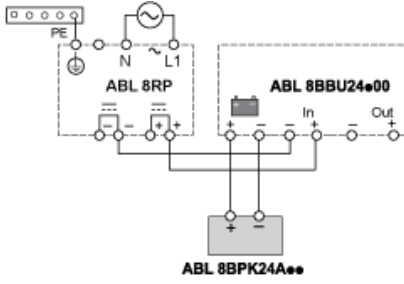
Wiring Requirements

Cable Types and Wire Sizes

	ABL 8BBU24200	ABL 8BBU24400				
ABL 8BPK24A +/ - mm ² /AWG	6 / 10	10 / 6				
		<table border="1"> <tr> <td>Nm</td> <td>1,7 Nm max</td> </tr> <tr> <td>lb-in</td> <td>15</td> </tr> </table>	Nm	1,7 Nm max	lb-in	15
Nm	1,7 Nm max					
lb-in	15					

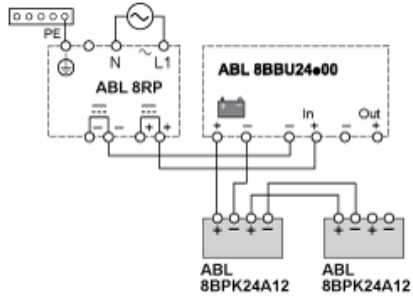
24 Vdc Battery Module Wiring

Wiring Diagram



Paralleling 2 x ABL8BPK24A12

Wiring Diagram



Recommended replacement(s)