

# Product datasheet

Specifications



## 10.1 inch widescreen, Basic model, 1 serial port, embedded RTC

HMIGXU5500

### Main

Range of product	Harmony Easy GXU
Product or component type	Advanced touchscreen panel
Display type	LCD touch screen
Display colour	65536 colours
Display resolution	800 x 480 pixels WVGA
Display size	10.1 inch

### Complementary

Backlight lifespan	20000 hours
[Us] rated supply voltage	24 V DC
Software designation	Vijeo Designer Basic configuration software
Memory description	Internal, 32 MB for application Internal DDR, 128 MB Internal, 128 kB for backup
Integrated connection type	COM1 serial link: 9-way male SUB-D connector, RS422/RS485 USB type mini B
Cut-out dimensions	255 x 185 mm

### Environment

Quality labels	CE
Ambient air temperature for operation	0...50 °C
Ambient air temperature for storage	-20...60 °C
IP degree of protection	IP65 (front panel)

### Packing Units

Unit Type of Package 1	PCE
Number of Units in Package 1	1
Package 1 Height	9.2 cm
Package 1 Width	23.7 cm
Package 1 Length	32.6 cm

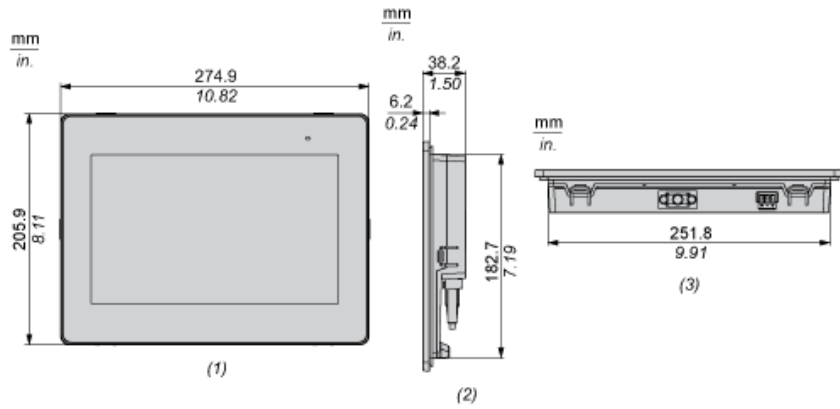
Package 1 Weight	1.48 kg
Unit Type of Package 2	S04
Number of Units in Package 2	7
Package 2 Height	30 cm
Package 2 Width	40 cm
Package 2 Length	60 cm
Package 2 Weight	11256.5 g
Unit Type of Package 3	P12
Number of Units in Package 3	84
Package 3 Height	95 cm
Package 3 Width	80 cm
Package 3 Length	120 cm
Package 3 Weight	144078 g

## Offer Sustainability

Sustainable offer status	Green Premium product
REACH Regulation	<a href="#">REACH Declaration</a>
EU RoHS Directive	Pro-active compliance (Product out of EU RoHS legal scope) <a href="#">EU RoHS Declaration</a>
Mercury free	Yes
China RoHS Regulation	<a href="#">China RoHS declaration</a>
RoHS exemption information	<a href="#">Yes</a>
Environmental Disclosure	<a href="#">Product Environmental Profile</a>
Circularity Profile	<a href="#">End of Life Information</a>
Upgradeability	Upgradeable through digital modules

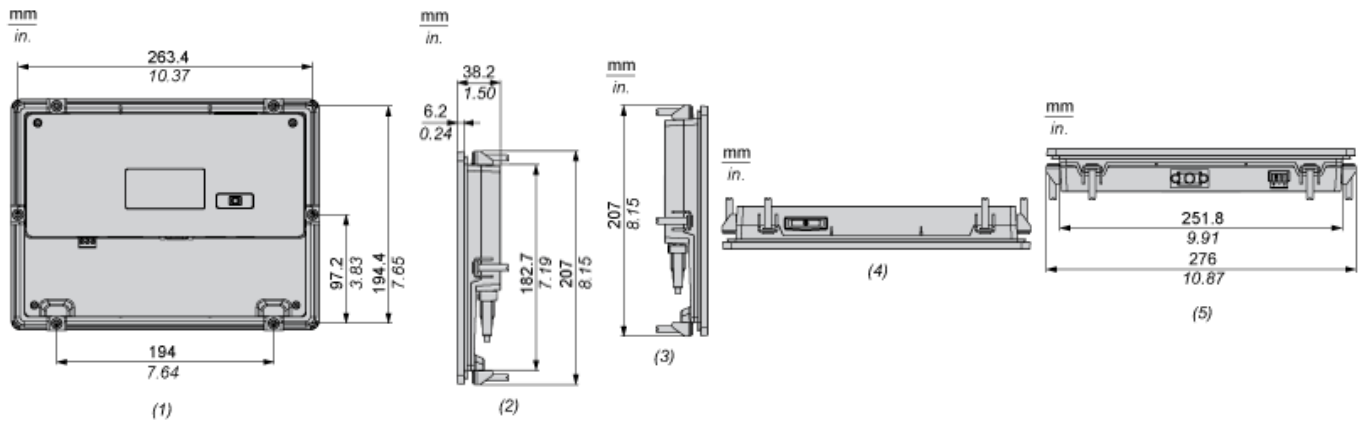
**Dimensions**

**External Dimensions**



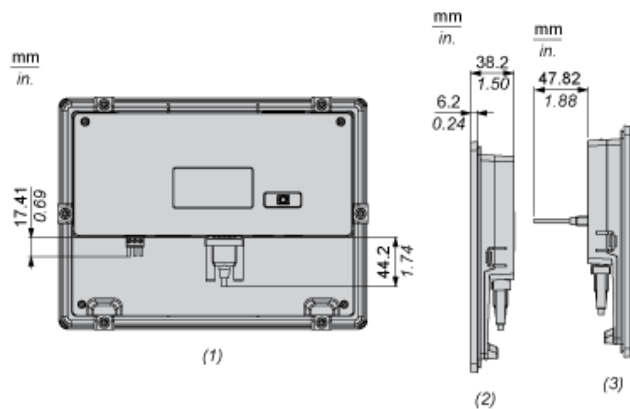
- (1) Front
- (2) Right
- (3) Bottom

**Installation with Installation Fasteners**



- (1) Rear
- (2) Right
- (3) Left
- (4) Top
- (5) Bottom

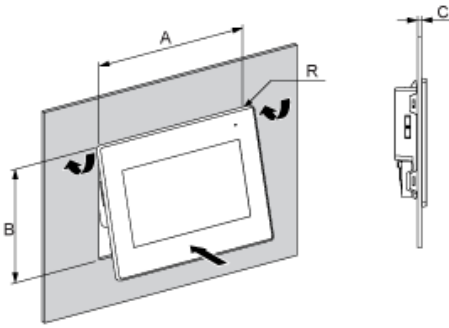
**Dimensions with Cables**



- (1) Rear
- (2) Right
- (3) Left

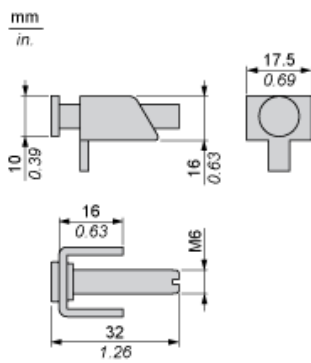
**Mounting**

**Panel Cut Dimensions**



A		B		C		R	
mm	in.	mm	in.	mm	in.	mm	in.
255 <sup>±1</sup>	10.04 <sup>±0.04</sup>	185 <sup>+1</sup>	7.28 <sup>+0.04</sup>	1...5	0.04...0.19	3 max	0.12 max.

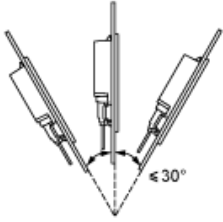
**Installation Fasteners Dimensions**



**Installation Requirements**

---

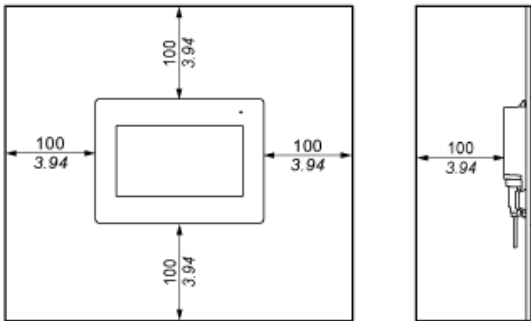
**Mounting Angle**



When installing the panel in a slanted position, and the panel face inclines more than 30°, the ambient temperature must not exceed 40 °C (104 °F).

**Clearance**

$\frac{\text{mm}}{\text{in.}}$



**Recommended replacement(s)**