

Product datasheet

Specifications



off-delay timing relay - 1 s..100 h - 24..240 V AC - 1 OC

RE17RCMU

Main

| | |
|---------------------------|---|
| Range of product | Harmony Timer Relays |
| Product or component type | Single function relay |
| Discrete output type | Relay |
| Width | 17.5 mm |
| Device short name | RE17R |
| Time delay type | Off-delay |
| Time delay range | 6...60 s 1...10 h 1...10 min 6...60 min 0.1...1 s 1...10 s 10...100 h |
| Nominal output current | 8 A |

Complementary

| | |
|-------------------------------|--|
| Contacts type and composition | 1 C/O |
| Contacts material | Cadmium free |
| Height | 90 mm |
| Depth | 72 mm |
| Control type | Selector switch front panel |
| [Us] rated supply voltage | 24...240 V AC 50/60 Hz 24 V DC |
| Voltage range | 0.85...1.1 Us |
| Supply frequency | 50...60 Hz +/- 5 % |
| Release of input voltage | 10 V |
| Connections - terminals | Screw terminals, 1 x 0.5...1 x 3.3 mm ² (AWG 20...AWG 12) solid without cable end Screw terminals, 2 x 0.5...2 x 2.5 mm ² (AWG 20...AWG 14) solid without cable end Screw terminals, 1 x 0.2...1 x 2.5 mm ² (AWG 24...AWG 14) flexible with cable end Screw terminals, 2 x 0.2...2 x 1.5 mm ² (AWG 24...AWG 16) flexible with cable end |
| Tightening torque | 0.6...1 N.m conforming to IEC 60947-1 |
| Housing material | Self-extinguishing |
| Repeat accuracy | +/- 0.5 % conforming to IEC 61812-1 |
| Temperature drift | +/- 0.05 %/°C |

| | |
|---|---|
| Voltage drift | +/- 0.2 %/V |
| Setting accuracy of time delay | +/- 10 % of full scale at 25 °C conforming to IEC 61812-1 |
| Control signal pulse width | 100 ms with load in parallel typical 30 ms typical |
| Insulation resistance | 100 MOhm at 500 V DC conforming to IEC 60664-1 |
| Reset time | 120 ms on de-energisation typical |
| On-load factor | 100 % |
| Power consumption in VA | 0...32 VA at 240 V AC |
| Maximum power consumption in W | 0.6 W at 24 V DC |
| Minimum switching current | 10 mA at 5 V DC |
| Maximum switching current | 8 A AC/DC |
| Maximum switching voltage | 250 V AC |
| Breaking capacity | 2000 VA |
| Operating frequency | 10 Hz |
| Electrical durability | 100000 cycles (8 A at 250 V AC maximum) for resistive load |
| Mechanical durability | 10000000 cycles |
| Dielectric strength | 2.5 kV 1 mA/1 minute 50 Hz conforming to IEC 61812-1 |
| [Uimp] rated impulse withstand voltage | 5 kV during 1.2/50 µs |
| Power on delay | 100 ms |
| Marking | CE |
| Creepage distance | 4 kV/3 conforming to IEC 60664-1 |
| Safety reliability data | B10d = 270000 MTTFd = 296.8 years |
| Mounting position | Any position in relation to normal vertical mounting plane |
| Mounting support | 35 mm DIN rail conforming to EN/IEC 60715 |
| Local signalling | LED indicator for on steady: relay energised, no timing in progress LED indicator for flashing: timing in progress 80 % ON and 20 % OFF LED indicator for pulsing: relay de-energised, no timing in progress (except function Di-D, Li-L) 5 % ON and 95 % OFF |
| Net weight | 0.07 kg C |
| Functionality | Off-delay timing |
| Compatibility code | RE17 |
| Environment | |
| Immunity to microbreaks | 20 ms |
| Standards | EN 61000-6-4 EN 61000-6-2 EN 61000-6-3 2004/108/EC 2006/95/EC IEC 61812-1 EN 61000-6-1 |
| Product certifications | cULus GL CSA |
| Ambient air temperature for storage | -30...60 °C |
| Ambient air temperature for operation | -20...60 °C |

| | |
|--------------------------------------|--|
| IP degree of protection | IP20 (terminal block) conforming to IEC 60529 IP40 (housing) conforming to IEC 60529 IP50 (front panel) conforming to IEC 60529 |
| Vibration resistance | 20 m/s ² (f= 10...150 Hz) conforming to IEC 60068-2-6 |
| Shock resistance | 15 gn for 11 ms conforming to IEC 60068-2-27 |
| Relative humidity | 93 % without condensation conforming to IEC 60068-2-30 |
| Electromagnetic compatibility | Electrostatic discharge immunity test: (in contact), level 3, 6 kV, conforming to IEC 61000-4-2 Electrostatic discharge immunity test: (in air), level 3, 8 kV, conforming to IEC 61000-4-2 Susceptibility to electromagnetic fields: (80 MHz to 1 GHz), level 3, 10 V/m, conforming to IEC 61000-4-3 Electrical fast transient/burst immunity test: (capacitive connecting clip), level 3, 1 kV, conforming to IEC 61000-4-4 Electrical fast transient/burst immunity test: (direct), level 3, 2 kV, conforming to IEC 61000-4-4 1.2/50 µs shock waves immunity test: (differential mode), level 3, 1 kV, conforming to IEC 61000-4-5 1.2/50 µs shock waves immunity test: (common mode), level 3, 2 kV, conforming to IEC 61000-4-5 Conducted RF disturbances: (0.15...80 MHz), level 3, 10 V, conforming to IEC 61000-4-6 Voltage dips and interruptions immunity test: (1 cycle), 0 %, conforming to IEC 61000-4-11 Voltage dips and interruptions immunity test: (25/30 cycles), 70 %, conforming to IEC 61000-4-11 Conducted and radiated emissions: , class B, conforming to EN 55022 |

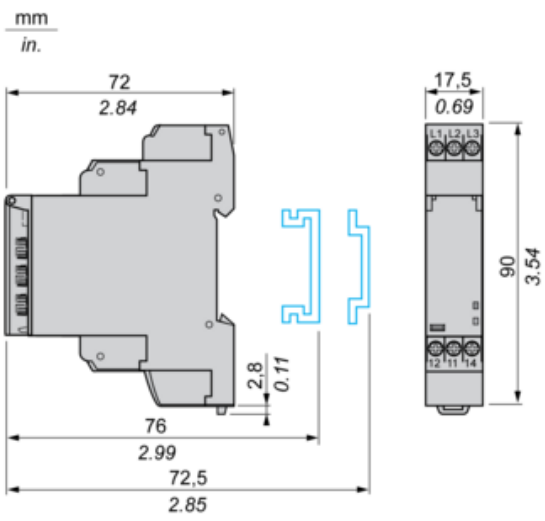
Packing Units

| | |
|-------------------------------------|----------|
| Unit Type of Package 1 | PCE |
| Number of Units in Package 1 | 1 |
| Package 1 Height | 2.8 cm |
| Package 1 Width | 7.4 cm |
| Package 1 Length | 9.4 cm |
| Package 1 Weight | 80 g |
| Unit Type of Package 2 | S02 |
| Number of Units in Package 2 | 40 |
| Package 2 Height | 15 cm |
| Package 2 Width | 30 cm |
| Package 2 Length | 40 cm |
| Package 2 Weight | 3.706 kg |

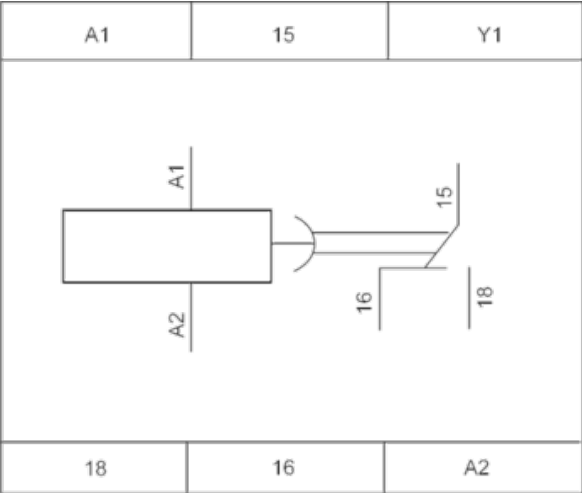
Offer Sustainability

| | |
|-----------------------------------|---|
| Sustainable offer status | Green Premium product |
| REACH Regulation | REACH Declaration |
| EU RoHS Directive | Pro-active compliance (Product out of EU RoHS legal scope) EU RoHS Declaration |
| Mercury free | Yes |
| China RoHS Regulation | China RoHS declaration |
| RoHS exemption information | Yes |
| Environmental Disclosure | Product Environmental Profile |
| Circularity Profile | End of Life Information |

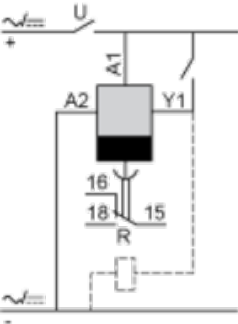
Width 17.5 mm



Internal Wiring Diagram



Wiring Diagram

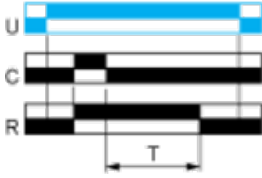


Function C : Off-Delay Relay with Control Signal

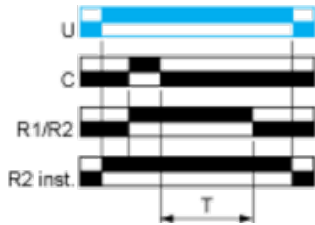
Description

After power-up and closing of the control contact C, the output R closes. When control contact C re-opens, timing T starts. At the end of the timing period, the output(s) R revert(s) to its/their initial state. The second output can be either timed or instantaneous.

Function: 1 Output







Function: 2 Outputs



2 timed outputs (R1/R2) or 1 timed output (R1) and 1 instantaneous output (R2 inst.)

Legend

-  Relay de-energised
-  Relay energised
-  Output open
-  Output closed

| | |
|----------|--|
| C | Control contact |
| G | Gate |
| R | Relay or solid state output |
| R1/R2 | 2 timed outputs |
| R2 inst. | The second output is instantaneous if the right position is selected |
| T | Timing period |
| Ta - | Adjustable On-delay |
| Tr - | Adjustable Off-delay |
| U | Supply |

Recommended replacement(s)