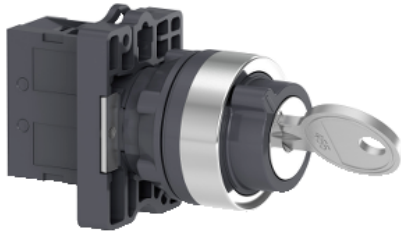


# Product datasheet

Specifications



## key selector switch - Ø22 - 2 positions - stay put - 1NO

XA2EG21

### Main

Range of product	Easy Harmony XA2
Product or component type	Complete selector switch
Device short name	XA2
Bezel material	Plastic
Fixing collar material	Plastic
Mounting diameter	22 mm

### Complementary

Fixing center	$\geq 30 \times 40$ mm (panel) - thickness: 1...5 mm
Fixing mode	Fixing nut: 2...2.4 N.m
Type of operator	stay put
Operator profile	key switch
Operator position information	2 positions
Key number	455
Key withdrawal position	Left
Contacts type and composition	1 NO
Contact operation	Slow-break
Mechanical durability	100000 cycles
Connections - terminals	, clamping capacity: $\leq 2 \times 1.5$ mm <sup>2</sup> , clamping capacity: $\leq 1 \times 2.5$ mm <sup>2</sup> , clamping capacity: $\geq 1 \times 0.5$ mm <sup>2</sup> Faston terminals, connection size: 6.3 mm
Tightening torque	0.8 N.m
Short-circuit protection	10 A fuse type gL conforming to IEC 60269-1
[I <sub>th</sub> ] conventional free air thermal current	10 A
[U <sub>i</sub> ] rated insulation voltage	600 V
[U <sub>imp</sub> ] rated impulse withstand voltage	6 kV conforming to IEC 60947-1
[I <sub>e</sub> ] rated operational current	3 A at 240 V, AC-15, A600 0.27 A at 250 V, DC-13, Q600
Electrical durability	500000 cycles, AC-15, 3 A at 230 V, operating rate $<60$ cyc/mn, load factor: 0.5 conforming to IEC 60947-5-4

<b>Electrical reliability</b>	$\Lambda < 10\exp(-8)$ at 24 V
<b>Width</b>	30 mm
<b>Height</b>	42 mm
<b>Depth</b>	85.7 mm
<b>Net weight</b>	0.064 kg

## Environment

<b>Protective treatment</b>	TC
<b>Ambient air temperature for storage</b>	-40...70 °C
<b>Ambient air temperature for operation</b>	-20...55 °C
<b>Overvoltage category</b>	Class I conforming to IEC 536
<b>IP degree of protection</b>	IP54 conforming to IEC 60529
<b>IK degree of protection</b>	IK03 conforming to IEC 60529
<b>Standards</b>	IEC 60947-5-1 IEC 60947-1 GB 14048.1 GB 14048.5
<b>Product certifications</b>	CCC CE
<b>Vibration resistance</b>	10 gn (f= 40...500 Hz) conforming to IEC 60068-2-6
<b>Shock resistance</b>	70 gn (duration = 11 ms) for half sine wave acceleration conforming to IEC 60068-2-27

## Packing Units

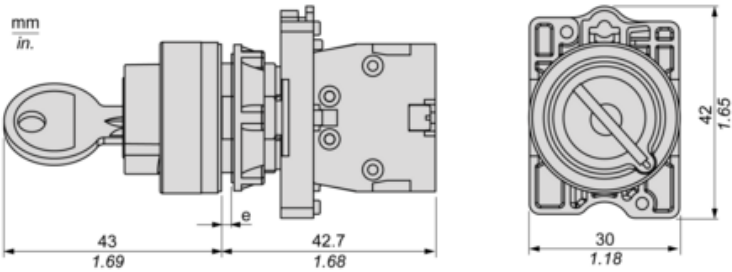
<b>Unit Type of Package 1</b>	Db
<b>Number of Units in Package 1</b>	1
<b>Package 1 Height</b>	2 cm
<b>Package 1 Width</b>	4 cm
<b>Package 1 Length</b>	7.5 cm
<b>Package 1 Weight</b>	56.4 g
<b>Unit Type of Package 2</b>	Gyári csomagolás
<b>Number of Units in Package 2</b>	5
<b>Package 2 Height</b>	7 cm
<b>Package 2 Width</b>	9 cm
<b>Package 2 Length</b>	14 cm
<b>Package 2 Weight</b>	316 g
<b>Unit Type of Package 3</b>	S02
<b>Number of Units in Package 3</b>	100
<b>Package 3 Height</b>	15 cm
<b>Package 3 Width</b>	30 cm
<b>Package 3 Length</b>	40 cm
<b>Package 3 Weight</b>	6.561 kg

## Offer Sustainability

<b>Sustainable offer status</b>	Green Premium product
<b>REACH Regulation</b>	<a href="#">REACH Declaration</a>
<b>REACH free of SVHC</b>	Yes
<b>EU RoHS Directive</b>	Pro-active compliance (Product out of EU RoHS legal scope) <a href="#">EU RoHS Declaration</a>
<b>Toxic heavy metal free</b>	Yes
<b>Mercury free</b>	Yes
<b>China RoHS Regulation</b>	<a href="#">China RoHS declaration</a>
<b>RoHS exemption information</b>	Yes
<b>Environmental Disclosure</b>	<a href="#">Product Environmental Profile</a>
<b>Circularity Profile</b>	<a href="#">End of Life Information</a>
<b>WEEE</b>	The product must be disposed on European Union markets following specific waste collection and never end up in rubbish bins

**Dimensions**

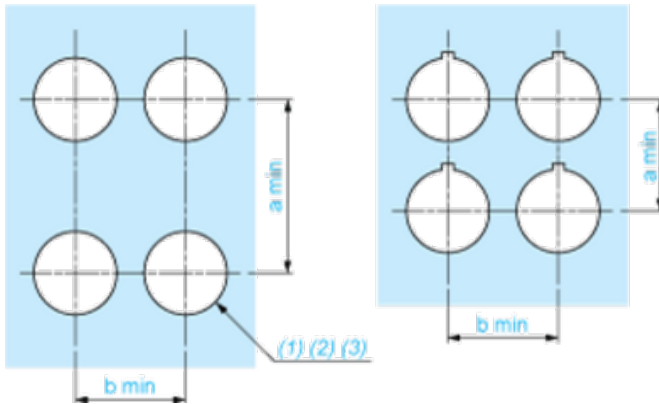
---



(e) Clamping thickness: 1 to 6 mm / 0.04 to 0.24 in.

**Panel Cut-out for Pushbuttons, Switches and Pilot Lights (Finished Holes, Ready for Installation)**

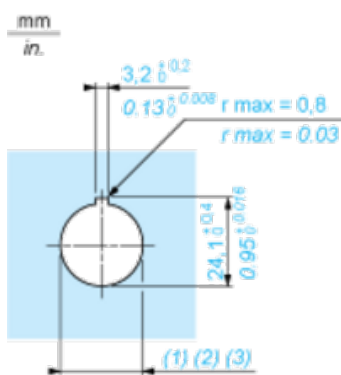
**Connection by Screw Clamp Terminals**



- (1) Diameter on finished panel or support
- (2) For selector switches and Emergency stop buttons, use of an anti-rotation plate type ZB5AZ902 is recommended.
- (3)  $\varnothing 22.5$  mm recommended ( $\varnothing 22.3 \text{ }_0^{+0.4}$ ) /  $\varnothing 0.89$  in. recommended ( $\varnothing 0.88 \text{ in. }_0^{+0.016}$ )

Connections	a in mm	a in in.	b in mm	b in in.
By screw clamp terminals connector	40	1.57	30	1.18
By Faston connectors	45	1.77	32	1.26

**Detail of Lug Recess**



- (1) Diameter on finished panel or support
- (2) For selector switches and Emergency stop buttons, use of an anti-rotation plate type ZB5AZ902 is recommended.
- (3)  $\varnothing 22.5$  mm recommended ( $\varnothing 22.3 \text{ }_0^{+0.4}$ ) /  $\varnothing 0.89$  in. recommended ( $\varnothing 0.88 \text{ in. }_0^{+0.016}$ )

**Recommended replacement(s)**