

Product datasheet

Specifications



Empty control station, plastic, light grey, 2 cut-outs, for XB7

XALE2

Main

Range of product	Harmony XALE
Product or component type	Empty control station
Device short name	XALE
Product destination	For XB7 Ø 22 mm control and signalling units
Number of cut-out	2 cut-outs
Colour of base of enclosure	Light grey (RAL 7035)
Colour of cover	Light grey (RAL 7035)
Material	ABS (acrylonitrile butadiene-styrene)
Cable entry	2 knock-outs, clamping capacity: 20 mm 6 knock-outs for ISO M20
Sale per indivisible quantity	5
IP degree of protection	IP54 conforming to IEC 60529

Complementary

Assembly style	For customer assembly
Net weight	0.1 kg
Marking	CE

Environment

Protective treatment	TC
Ambient air temperature for storage	-40...70 °C
Ambient air temperature for operation	-25...55 °C
Electrical shock protection class	Class II conforming to IEC 60536
IK degree of protection	IK05 conforming to EN 50102
Standards	EN/IEC 60947-1 EN/IEC 60947-5-1 EN/IEC 62208 EN/IEC 60947-5-5

Disclaimer: This documentation is not intended as a substitute for and is not to be used for determining suitability or reliability of these products for specific user applications

Packing Units

Unit Type of Package 1	PCE
Number of Units in Package 1	1
Package 1 Height	9.500 cm
Package 1 Width	7.500 cm
Package 1 Length	15.000 cm
Package 1 Weight	111.000 g
Unit Type of Package 2	BB1
Number of Units in Package 2	5
Package 2 Height	8.300 cm
Package 2 Width	12.500 cm
Package 2 Length	33.300 cm
Package 2 Weight	546.000 kg
Unit Type of Package 3	BB2
Number of Units in Package 3	5
Package 3 Height	8.300 cm
Package 3 Width	12.500 cm
Package 3 Length	33.300 cm
Package 3 Weight	546.000 g

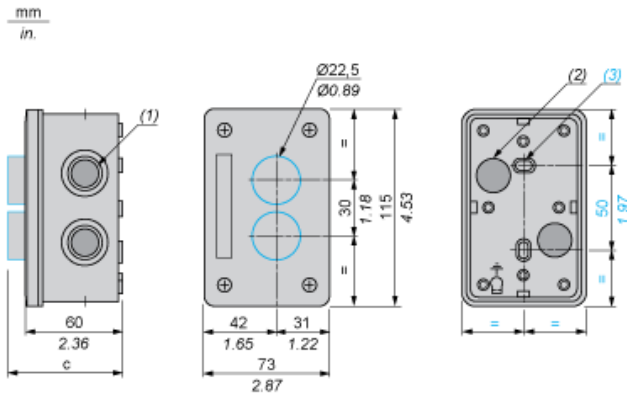
Offer Sustainability

Sustainable offer status	Green Premium product
REACH Regulation	REACH Declaration
REACH free of SVHC	Yes
EU RoHS Directive	Pro-active compliance (Product out of EU RoHS legal scope) EU RoHS Declaration
Toxic heavy metal free	Yes
Mercury free	Yes
China RoHS Regulation	China RoHS declaration
RoHS exemption information	Yes
Environmental Disclosure	Product Environmental Profile
Circularity Profile	End of Life Information

Contractual warranty

Warranty	18 months
----------	-----------

Dimensions



- (1) 6 ISO 20 knock-outs.
- (2) 2 knock-outs for cable entry, maximum capacity 20 mm / 0.79 in.
- (3) 2 knock-out elongated fixing holes \varnothing 3 mm x 5 mm / \varnothing 0.12 in. x 0.20 in.

Control station XALE fitted with:	c in mm	c in in.
Flush pushbutton	69	2.72
Projecting pushbutton	71	2.79
Illuminated pushbutton	74.5	2.93
Pilot light	71	2.79
Emergency stop without key	89.5	3.52
Selector switch with standard handle	84.5	3.33
Key switch	100	3.94

Recommended replacement(s)