

# Product datasheet

Specifications



## Pilot light, metal, red, Ø22, plain lens with integral LED, 230...240 VAC

XB4BVM4

### Main

|                                 |                         |
|---------------------------------|-------------------------|
| Range of product                | Harmony XB4             |
| Product or component type       | Pilot light             |
| Device short name               | XB4                     |
| Bezel material                  | Chromium plated metal   |
| Fixing collar material          | Zamak                   |
| Mounting diameter               | 22 mm                   |
| Head type                       | Standard                |
| Sale per indivisible quantity   | 1                       |
| Shape of signaling unit head    | Round                   |
| Cap/Operator or lens colour     | Red                     |
| Operator additional information | With plain lens         |
| Light source                    | Universal LED           |
| Bulb base                       | Integral LED            |
| Light source colour             | Red                     |
| [Us] rated supply voltage       | 230...240 V AC 50/60 Hz |

### Complementary

|  |   |
|--|---|
| Height                                 | 47 mm   |
| Width                                  | 30 mm   |
| Depth                                  | 54 mm   |
| Terminals description ISO n°1          | (X1-X2)PL   |
| Net weight                             | 0.08 kg   |
| Resistance to high pressure washer     | 7000000 Pa at 55 °C, distance : 0.1 m   |
| Connections - terminals                | Screw clamp terminals, <= 2 x 1.5 mm <sup>2</sup> with cable end conforming to EN/IEC 60947-1<br>Screw clamp terminals, 1 x 0.22...2 x 2.5 mm <sup>2</sup> without cable end conforming to EN/IEC 60947-1 |
| [Ui] rated insulation voltage          | 250 V (pollution degree 3) conforming to EN 60947-1   |
| [Uimp] rated impulse withstand voltage | 4 kV conforming to EN 60947-1   |
| Signalling type                        | Steady  |

|                              |                                     |
|------------------------------|-------------------------------------|
| <b>Current consumption</b>   | 14 mA                               |
| <b>Service life</b>          | 100000 h at rated voltage and 25 °C |
| <b>Surge withstand</b>       | 1 kV conforming to IEC 61000-4-5    |
| <b>Device presentation</b>   | Complete product                    |
| <b>Supply voltage limits</b> | 195...264 V AC                      |

## Environment

|  |  |
|--|--|
| <b>Protective treatment</b>                  | TH   |
| <b>Ambient air temperature for storage</b>   | -40...70 °C  |
| <b>Ambient air temperature for operation</b> | -40...70 °C  |
| <b>Electrical shock protection class</b>     | Class I conforming to IEC 60536  |
| <b>IP degree of protection</b>               | IP66 conforming to IEC 60529<br>IP67<br>IP69<br>IP69K  |
| <b>NEMA degree of protection</b>             | NEMA 13<br>NEMA 4X   |
| <b>IK degree of protection</b>               | IK06 conforming to IEC 50102   |
| <b>Standards</b>                             | JIS C8201-5-1<br>CSA C22.2 No 14<br>UL 508<br>EN/IEC 60947-5-1<br>EN/IEC 60947-5-5<br>EN/IEC 60947-5-4<br>EN/IEC 60947-1<br>JIS C8201-1  |
| <b>Product certifications</b>                | CSA<br>UL listed   |
| <b>Vibration resistance</b>                  | 5 gn (f= 12...500 Hz) conforming to IEC 60068-2-6  |
| <b>Shock resistance</b>                      | 30 gn (duration = 18 ms) for half sine wave acceleration conforming to IEC 60068-2-27<br>50 gn (duration = 11 ms) for half sine wave acceleration conforming to IEC 60068-2-27 |
| <b>Resistance to fast transients</b>         | 2 kV conforming to IEC 61000-4-4   |
| <b>Resistance to electromagnetic fields</b>  | 10 V/m conforming to IEC 61000-4-3   |
| <b>Resistance to electrostatic discharge</b> | 6 kV on contact (on metal parts) conforming to IEC 61000-4-2<br>8 kV in free air (in insulating parts) conforming to IEC 61000-4-2   |
| <b>Electromagnetic emission</b>              | Class B conforming to IEC 55011  |

## Packing Units

|                                     |         |
|-------------------------------------|---------|
| <b>Unit Type of Package 1</b>       | PCE     |
| <b>Number of Units in Package 1</b> | 1       |
| <b>Package 1 Height</b>             | 3.4 cm  |
| <b>Package 1 Width</b>              | 5.4 cm  |
| <b>Package 1 Length</b>             | 8.8 cm  |
| <b>Package 1 Weight</b>             | 79 g    |
| <b>Unit Type of Package 2</b>       | BB1     |
| <b>Number of Units in Package 2</b> | 5       |
| <b>Package 2 Height</b>             | 3.4 cm  |
| <b>Package 2 Width</b>              | 8.8 cm  |
| <b>Package 2 Length</b>             | 26.5 cm |

|                              |           |
|------------------------------|-----------|
| Package 2 Weight             | 398 g     |
| Unit Type of Package 3       | S03       |
| Number of Units in Package 3 | 150       |
| Package 3 Height             | 30 cm     |
| Package 3 Width              | 30 cm     |
| Package 3 Length             | 40 cm     |
| Package 3 Weight             | 12.488 kg |

## Offer Sustainability

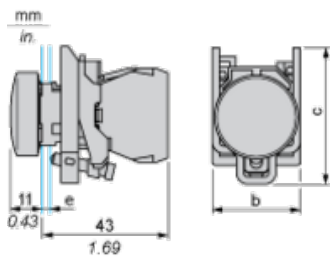
|                            |   |
|----------------------------|---|
| Sustainable offer status   | Green Premium product   |
| REACH Regulation           | <a href="#">REACH Declaration</a>   |
| REACH free of SVHC         | Yes   |
| EU RoHS Directive          | Pro-active compliance (Product out of EU RoHS legal scope)<br><a href="#">EU RoHS Declaration</a>                           |
| Mercury free               | Yes   |
| China RoHS Regulation      | <a href="#">China RoHS declaration</a>  |
| RoHS exemption information | Yes   |
| Environmental Disclosure   | <a href="#">Product Environmental Profile</a>   |
| Circularity Profile        | <a href="#">End of Life Information</a>   |
| WEEE                       | The product must be disposed on European Union markets following specific waste collection and never end up in rubbish bins |

## Contractual warranty

|          |           |
|----------|-----------|
| Warranty | 18 months |
|----------|-----------|

**Dimensions**

---



**e** : clamping thickness: 1 to 6 mm / 0.04 to 0.24 in.

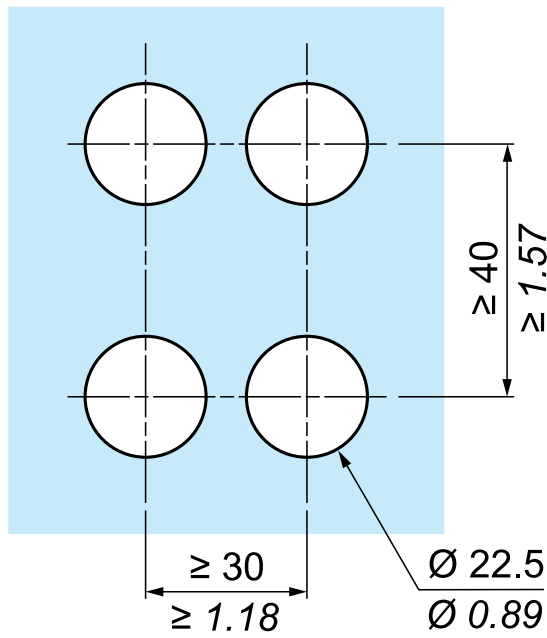
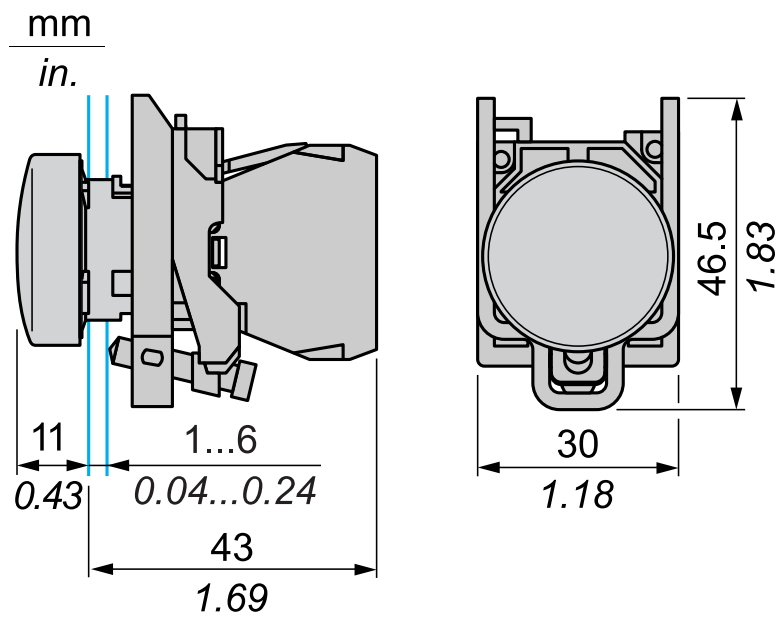
**b** : 30 mm / 1.18 in.

**c** : 46.5 mm / 1.83 in.

**Panel Cut-out for Pushbuttons, Switches and Pilot Lights (Finished Holes, Ready for Installation)**

| Connection by Screw Clamp Terminals or Plug-in Connectors or on Printed Circuit Board   | Connection by Faston Connectors  |
|---|--|
|    |  |
| <p>(1) Diameter on finished panel or support<br/>                 (2) 40 mm min. / 1.57 in. min.<br/>                 (3) 30 mm min. / 1.18 in. min.<br/>                 (4) <math>\varnothing</math> 22.5 mm / 0.89 in. recommended (<math>\varnothing</math> 22.3 mm <math>_0^{+0.4}</math> / 0.88 in. <math>_0^{+0.016}</math>)<br/>                 (5) 45 mm min. / 1.78 in. min.<br/>                 (6) 32 mm min. / 1.26 in. min.</p> |  |

Dimensions



Recommended replacement(s)