

XUK9LAPSMM12

photo-electric laser sensor - XUK - polarised
reflex - Sn 14m - 10..30VDC - M12



Main

Range of product	Telemecanique Photoelectric sensors XU
Series name	Application assembly Application material handling
Electronic sensor type	Photo-electric sensor
Sensor name	XUK
Sensor design	Compact 50 x 50
Detection system	Polarised reflex
Material	Plastic
Type of output signal	Discrete
Supply circuit type	DC
Wiring technique	4-wire
Discrete output type	PNP
Discrete output function	1 NO or 1 NC programmable
Electrical connection	1 male connector M12, 4 pins
Product specific application	-
Emission	Red laser polarised reflex class 1
[Sn] nominal sensing distance	12 m polarised reflex need reflector XUZC50HP

Complementary

Enclosure material	ABS/PC
Lens material	PMMA
Maximum sensing distance	14 m polarised reflex need reflector XUZC50HP
Output type	Solid state
Status LED	1 LED (yellow) for output state 1 LED (green/yellow) for supply on/output state
[Us] rated supply voltage	24 V DC with reverse polarity protection
Supply voltage limits	10...30 V DC
Switching capacity in mA	<= 100 mA (overload and short-circuit protection)
Switching frequency	<= 2000 Hz
Maximum voltage drop	<2 V
Current consumption	<= 60 mA no-load

Disclaimer: This documentation is not intended as a substitute for and is not to be used for determining suitability or reliability of these products for specific user applications

Maximum delay first up	300 ms
Maximum delay response	2 ms
Maximum delay recovery	2 ms
Setting-up	Using teach button or remote teaching
Depth	50 mm
Height	50 mm
Width	23 mm
Net weight	0.035 kg

Environment

Product certifications	Ecolab CE CULus
Ambient air temperature for operation	-20...60 °C -20...50 °C
Ambient air temperature for storage	-20...80 °C
Vibration resistance	7 gn, amplitude = +/- 1.5 mm (f = 10...55 Hz) conforming to IEC 60068-2-6
Shock resistance	30 gn (duration = 11 ms) conforming to IEC 60068-2-27
IP degree of protection	IP67 conforming to IEC 60529 IP69K conforming to DIN 40050

Packing Units

Unit Type of Package 1	PCE
Number of Units in Package 1	1
Package 1 Weight	48 g
Package 1 Height	2.8 cm
Package 1 width	9 cm
Package 1 Length	6 cm
Unit Type of Package 2	S01
Number of Units in Package 2	28
Package 2 Weight	1.547 kg
Package 2 Height	15 cm
Package 2 width	15 cm
Package 2 Length	40 cm

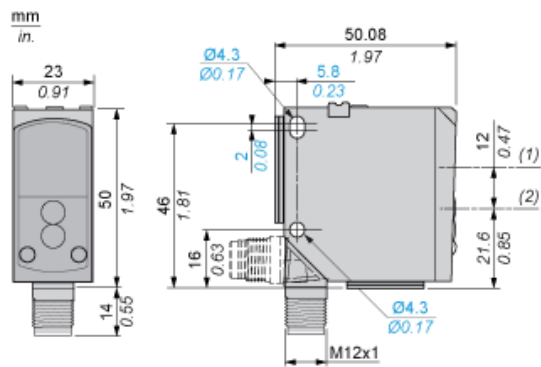
Offer Sustainability

REACH Regulation	REACH Declaration
EU RoHS Directive	Pro-active compliance (Product out of EU RoHS legal scope) EU RoHS Declaration
Mercury free	Yes
RoHS exemption information	Yes

Contractual warranty

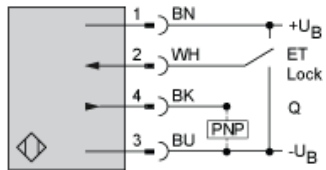
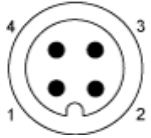
Warranty	18 months
----------	-----------

Dimensions



- (1) Receiver optical axis
- (2) Transmitter optical axis

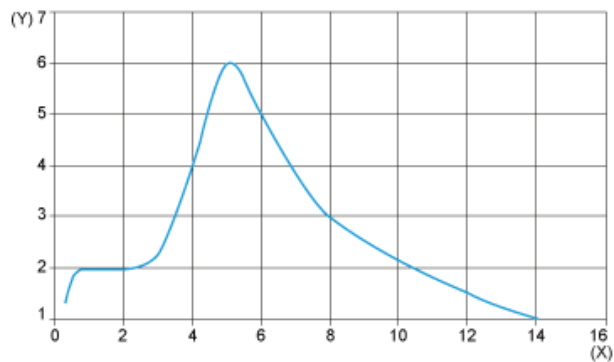
Wiring Schemes Using M12 Connector



- 1 : (+)
- 2 : ET/Lock (1)
- 3 : (-)
- 4 : Output
- BN : Brown
- WH : White
- BU : Blue
- BK : Black
- +UB : External teach
- UB : Pushbutton locking
- (1) ET/Lock. ET: External Teach, Lock: Pushbutton locking

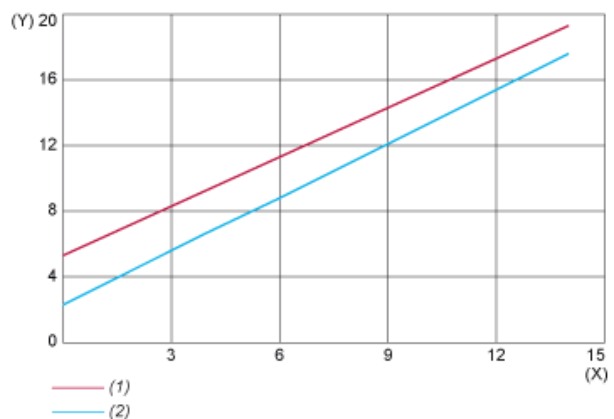
Curves

Excess Gain Curve



(X) Distance (m)
(Y) Gain

Size of Luminous Point



(X) Distance (m)
(Y) Size (mm)
(1) Vertical (Y)
(2) Horizontal (X)