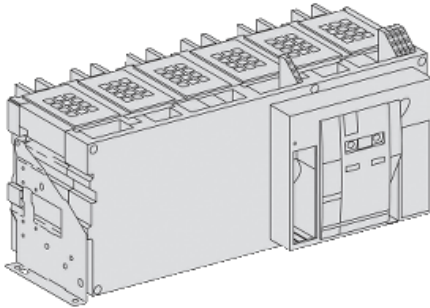




Price : 226,266.00 HKD



Commercial status

Discontinued on: 02 April 2021

End-of-service on: 03 April 2021

48113 has not been replaced. Please contact your customer care centre for more information.

ⓘ Discontinued

Main

Range of product	Masterpact NW
Product or component type	Basic frame
Device short name	Masterpact NW50
Circuit breaker name	Masterpact NW50H2
Poles description	3P
Network type	AC
Breaking capacity code	H2
Suitability for isolation	Yes conforming to IEC 60947-2
Utilisation category	Category B

Complementary

Network frequency	50/60 Hz
Control type	Push-button
Mounting mode	Fixed
[In] rated current	5000 A at 40 °C
[Ui] rated insulation voltage	1000 V AC 50/60 Hz conforming to IEC 60947-2
[Uimp] rated impulse withstand voltage	12 kV conforming to IEC 60947-2
[Icm] rated short-circuit making capacity	220 kA 690 V AC at 50/60 Hz 286 kA 525 V AC at 50/60 Hz
[Ue] rated operational voltage	690 V AC 50/60 Hz conforming to IEC 60947-2
Circuit breaker CT rating	5000 A
Breaking capacity	150 kA Icu at 220...240 V AC 50/60 Hz conforming to IEC 60947-2 150 kA Icu at 380...415 V AC 50/60 Hz conforming to IEC 60947-2 100 kA Icu at 690 V AC 50/60 Hz conforming to IEC 60947-2 130 kA Icu at 525 V AC 50/60 Hz conforming to IEC 60947-2 150 kA Icu at 440 V AC 50/60 Hz conforming to IEC 60947-2
[Ics] rated service breaking capacity	100 kA at 690 V AC 50/60 Hz conforming to IEC 60947-2 130 kA at 525 V AC 50/60 Hz conforming to IEC 60947-2

Disclaimer: This documentation is not intended as a substitute for and is not to be used for determining suitability or reliability of these products for specific user applications

Protection type	Without protection
Mechanical durability	10000 cycles with maintenance conforming to IEC 60947-2 5000 cycles without maintenance conforming to IEC 60947-2
Electrical durability	AC-3: 6000 cycles 440/690 V AC 50/60 Hz without maintenance conforming to IEC 60947-2 1500 cycles 440 V AC 50/60 Hz without maintenance conforming to IEC 60947-2 1500 cycles 690 V AC 50/60 Hz without maintenance conforming to IEC 60947-2 AC-23A: 1500 cycles 440 V AC 50/60 Hz without maintenance conforming to IEC 60947-2 AC-23A: 1500 cycles 690 V AC 50/60 Hz without maintenance conforming to IEC 60947-2
Connection pitch	230 mm
[Icw] rated short-time withstand current	100 kA 1 s conforming to IEC 60947-2 100 kA 3 s conforming to IEC 60947-2
Integral instant protection	243...297 kA
Maximum breaking time	25 ms
Maximum closing response time	80 ms
Height	352 mm
Width	767 mm
Depth	297 mm

Environment

Standards	IEC 60947-2
Product certifications	ASTA ASEFA
Pollution degree	4 conforming to IEC 60664-1
Ambient air temperature for operation	-25...70 °C
Ambient air temperature for storage	-40...85 °C

Packing Units

Package 1 Weight	133.409 kg
Package 1 Height	7.500 dm
Package 1 width	7.500 dm
Package 1 Length	12.000 dm

Offer Sustainability

Sustainable offer status	Green Premium product
REACH Regulation	REACH Declaration
EU RoHS Directive	Compliant EU RoHS Declaration
Mercury free	Yes
RoHS exemption information	Yes
China RoHS Regulation	China RoHS declaration Product out of China RoHS scope. Substance declaration for your information
Environmental Disclosure	Product Environmental Profile
Circularity Profile	End of Life Information
WEEE	The product must be disposed on European Union markets following specific waste collection and never end up in rubbish bins
PVC free	Yes

Contractual warranty

Warranty	18 months
----------	-----------