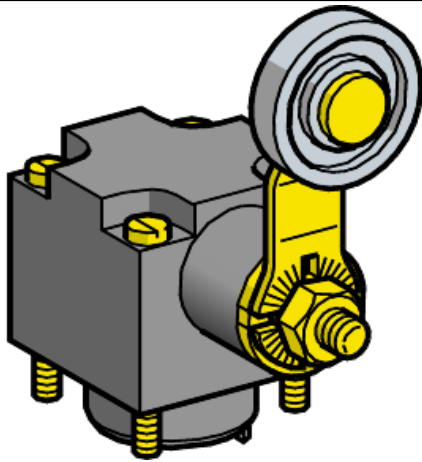




Price\* : 545.600,00 IDR



**Main**

Range of product	OsiSense XC
Series name	Standard format
Product or component type	Limit switch head
Device short name	ZCKD
Head type	Rotary head
Product compatibility	XCKS
Associated body	ZCKS1 ZCKS1H29 ZCKS2 ZCKS2H29 ZCKS5 ZCKS5H29 ZCKS6 ZCKS6H29 ZCKS7 ZCKS7H29 ZCKS8 ZCKS8H29 ZCKS9 ZCKS9H29 ZCKSD31 ZCKSD31H29 ZCKSD35 ZCKSD35H29 ZCKSD37 ZCKSD37H29 ZCKSD39 ZCKSD39H29
Movement of operating head	Rotary
Type of operator	Roller lever spring return metal
Type of approach	Lateral approach 2 directions

**Complementary**

Switch actuation	By 30° cam
------------------	------------

Disclaimer: Dokumentasi ini tidak ditujukan sebagai pengganti dan tidak untuk digunakan untuk menentukan kesesuaian atau keandalan produk ini untuk aplikasi pengguna

Positive opening	With
Head material	Plastic

### Environment

Ambient air temperature for operation	-25...70 °C
Ambient air temperature for storage	-40...70 °C
Environmental characteristic	Standard environment

### Offer Sustainability

Sustainable offer status	Green Premium product
RoHS (date code: YYWW)	Compliant - since 1310 - Schneider Electric declaration of conformity <a href="#">Schneider Electric declaration of conformity</a>
REACH	Reference not containing SVHC above the threshold <a href="#">Reference not containing SVHC above the threshold</a>
Product end of life instructions	Need no specific recycling operations

### Contractual warranty

Warranty period	18 months
-----------------	-----------