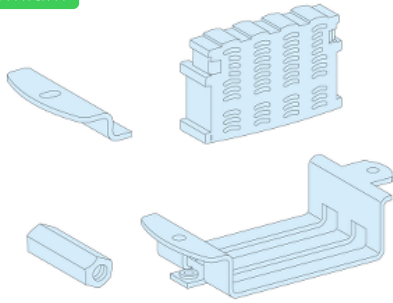


# Product datasheet

Specifications



## LINERGY BW ACCESSORIES 630A

01211

! Discontinued on: 21 January 2022

! Discontinued

### Main

Range	Linergy
Range of product	Linergy
Product or component type	Support
Product name	Linergy BW
Accessory / separate part category	Busbar accessory Spare part
Range compatibility	Linergy (Linergy BW) busbar Prisma (Prisma G) enclosure Prisma (Prisma P) cubicle

### Complementary

Installation description	Cubicle Floor-standing enclosure Wall-mounted enclosure
[Ie] rated operational current	630 A
Provided equipment	Linergy BW support Bracket for support Self-threading screw Hexagonal spacer End plug
Quantity per set	Set of 1
Net weight	0.46 kg

### Packing Units

Unit Type of Package 1	Db
Number of Units in Package 1	1
Package 1 Height	5 cm
Package 1 Width	10 cm
Package 1 Length	15 cm
Package 1 Weight	460 g

### Offer Sustainability

Sustainable offer status	Green Premium product
EU RoHS Directive	Pro-active compliance (Product out of EU RoHS legal scope)

<b>Mercury free</b>	Yes
<b>China RoHS Regulation</b>	<a href="#">China RoHS declaration</a> Product out of China RoHS scope. Substance declaration for your information
<b>RoHS exemption information</b>	Yes
<b>Environmental Disclosure</b>	<a href="#">Product Environmental Profile</a>
<b>Circularity Profile</b>	<a href="#">End of Life Information</a>

**Recommended replacement(s)**