



Main

Range of product	Modicon M238 logic controller Twido
Product or component type	AS-Interface master module
Product compatibility	TWDLCAA24DRF TWDLCAA40DRF TWDLCAE40DRF TWDLCA24DRF TWDLCA40DRF TWDLCE40DRF TWDLMDA20DRT TWDLMDA20DTK TWDLMDA20DUK TWDLMDA40DTK TWDLMDA40DUK
Bus type	AS-Interface M3 (7.3 analogue profile) V2.11
Addressing	Standard and extended
[Us] rated supply voltage	29.5...31.6 V DC
Number of slave	<= 62 for discrete module <= 7 for analogue module
Number of input channels	0...124 for standards slaves 0...248 for slaves in bank A and B
Number of output channels	0...124 for standards slaves 0...186 for slaves in bank A and B

Complementary

Supply	External supply
Electrical connection	Removable screw terminal block (power supply)
Current consumption	80 mA at 5 V DC
Power dissipation in W	0.54 W at 24 V DC
Number of modules per base controller	2
AS-i cabling system cycle time	10 ms with 62 slave(s) 5 ms with 31 slave(s) 0.156 x (1 + N) ms with 20...62 slave(s) 3 ms
Length of segment	<= 100 m <= 200 m with 1 repeater ASIRPT01

<= 200 m with line extension TCSARR01M
<= 300 m with 2 repeaters ASIRPT01

Status LED	1 LED (green) for connected mode (CMO) 1 LED (green) for local mode (LMO) 1 LED (green) for module power (PWR) 1 LED (red) for configuration error (FLT) 1 LED (red) for unconnected mode (OFF) 3 LEDs (green) for input channel 3 LEDs (green) for output channel
Product weight	0.085 kg

Environment

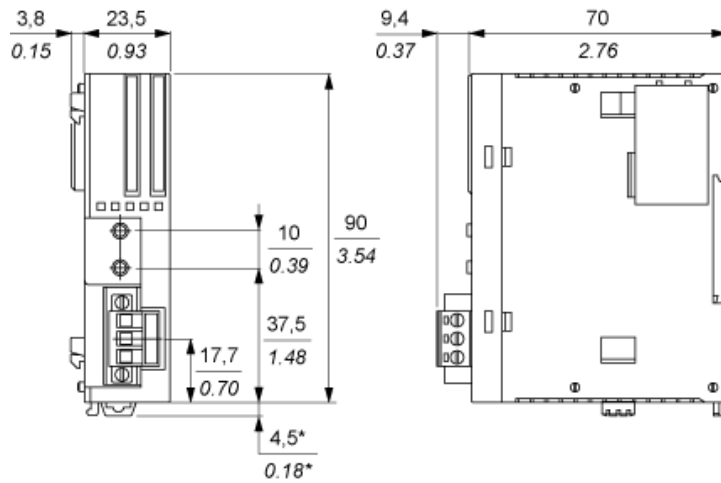
Product certifications	AS-Interface No 47801
IP degree of protection	IP20
Ambient air temperature for operation	0...55 °C
Ambient air temperature for storage	-25...70 °C

Contractual warranty

Warranty period	12 months
-----------------	-----------

Dimensions

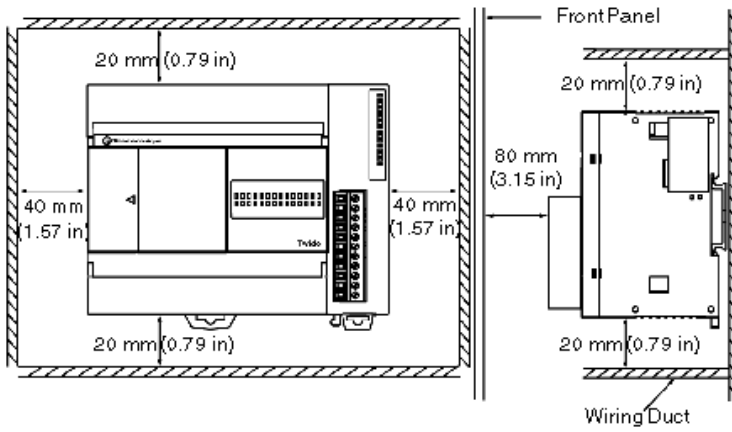
mm
in.



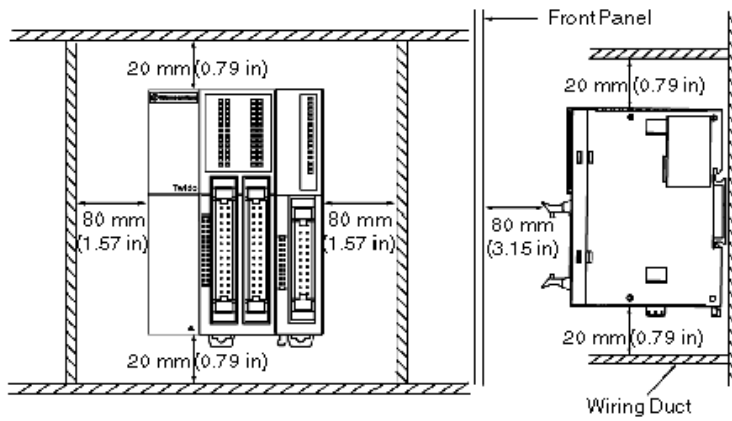
* 8.5 mm (0.33 in) when the clamp is pulled out.

Minimum Clearances

For a Compact Base and Expansion I/O Modules



For a Modular Base and Expansion I/O Modules



Mounting Hole Layout

