

Product datasheet

Specifications



soft starter for asynchronous motor,
Altistart 48, 35A, 230..415V,
7.5..30kW

ATS48D38Q

⚠ Discontinued on: 31-Dec-2023

⚠ To be end-of-service on: 31-Dec-2030

⚠ Discontinued - Service only

Main

Range Of Product	Altistart 48
Product Or Component Type	Soft starter
Product Destination	Asynchronous motors
Product Specific Application	Heavy duty industry and pumps
Device Short Name	ATS48
Utilisation Category	AC-53A
Ue Power Supply Voltage	230...415 V - 15...10 %
Power Supply Frequency	50...60 Hz - 5...5 %
Motor Power Kw	7.5 kW at 230 V connection in the motor supply line for severe applications 9 kW at 230 V connection in the motor supply line for standard applications 15 kW at 230 V connection to the motor delta terminals for severe applications 15 kW at 400 V connection in the motor supply line for severe applications 18.5 kW at 230 V connection to the motor delta terminals for standard applications 18.5 kW at 400 V connection in the motor supply line for standard applications 22 kW at 400 V connection to the motor delta terminals for severe applications 30 kW at 400 V connection to the motor delta terminals for standard applications

Complementary

Device Connection	To the motor delta terminals In the motor supply line
Protection Type	Phase failure: line Thermal protection: motor Thermal protection: starter
Standards	EN/IEC 60947-4-2
Product Certifications	UL C-Tick TCF DNV NOM 117 CSA SEPRO CCC GOST
Marking	CE
Discrete Input Number	5
Discrete Input Type	PTC, 750 Ohm at 25 °C (Stop, Run, LI3, LI4) logic, <= 8 mA 4300 Ohm
Discrete Input Logic	Positive logic Stop, Run, LI3, LI4 at State 0: < 5 V and <= 2 mA at State 1: > 11 V, >= 5 mA

Minimum Switching Current	10 mA at 6 V DC for relay outputs
Discrete Output Number	2
Discrete Output Type	(LO1) logic output 0 V common configurable (LO2) logic output 0 V common configurable (R1) relay outputs fault relay NO (R2) relay outputs end of starting relay NO (R3) relay outputs motor powered NO
Analogue Output Type	Current output AO: 0-20 mA or 4-20 mA, impedance <500 Ohm
Communication Port Protocol	Modbus
Connector Type	1 RJ45
Communication Data Link	Serial
Physical Interface	RS485 multidrop
Transmission Rate	4800, 9600 or 19200 bps
Function Available	External bypass (optional)
Operating Position	Vertical +/- 10 degree
Height	275 mm
Width	160 mm
Depth	190 mm
Net Weight	4.9 kg

Environment

Electromagnetic Compatibility	Conducted and radiated emissions level A conforming to IEC 60947-4-2 Conducted and radiated emissions level B conforming to IEC 60947-4-2 Damped oscillating waves level 3 conforming to IEC 61000-4-12 Electrostatic discharge level 3 conforming to IEC 61000-4-2 Immunity to electrical transients level 4 conforming to IEC 61000-4-4 Immunity to radiated radio-electrical interference level 3 conforming to IEC 61000-4-3 Voltage/current impulse level 3 conforming to IEC 61000-4-5
Relative Humidity	0...95 % without condensation or dripping water conforming to EN/IEC 60068-2-3
Ambient Air Temperature For Operation	40...60 °C (with current derating of 2 % per °C) -10...40 °C (without derating)
Ambient Air Temperature For Storage	-25...70 °C
Operating Altitude	<= 1000 m without derating > 1000...2000 m with current derating of 2.2 % per additional 100 m

Packing Units

Unit Type Of Package 1	PCE
Number Of Units In Package 1	1
Package 1 Height	29.0 cm
Package 1 Width	26.0 cm
Package 1 Length	37.0 cm
Package 1 Weight	5.765 kg
Unit Type Of Package 2	P06
Number Of Units In Package 2	8
Package 2 Height	73.5 cm
Package 2 Width	80.0 cm
Package 2 Length	60.0 cm

Package 2 Weight 59.576 kg

Contractual warranty

Warranty 18 months

Sustainability


Green Premium™ label is Schneider Electric's commitment to delivering products with best-in-class environmental performance. Green Premium promises compliance with the latest regulations, transparency on environmental impacts, as well as circular and low-CO₂ products.


Guide to assessing product sustainability is a white paper that clarifies global eco-label standards and how to interpret environmental declarations.

[Learn more about Green Premium >](#)

[Guide to assess a product's sustainability >](#)

Well-being performance

 Mercury Free

 Rohs Exemption Information [Yes](#)

Reach Regulation [REACH Declaration](#)

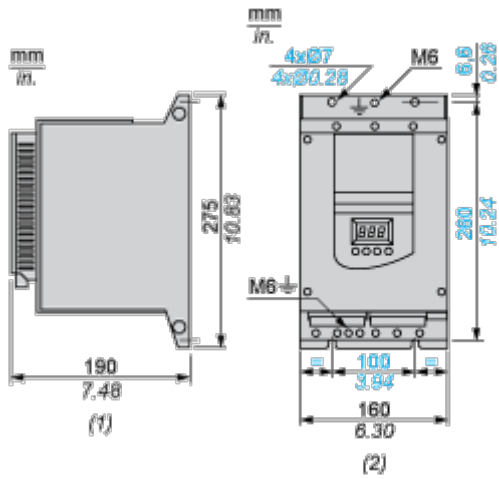
Eu Rohs Directive Pro-active compliance (Product out of EU RoHS legal scope)

China Rohs Regulation [China RoHS declaration](#)

Weee The product must be disposed on European Union markets following specific waste collection and never end up in rubbish bins

Dimensions Drawings

Dimensions



(1) Right View
(2) Front View

Mounting and Clearance

Clearance

