

Product data sheet

Specifications



QO mini breaker, 15 A, 1 pole, 120/240 V, 10 kA, bolt on

QOB115

Price* : 589.29 PHP

Main

Product	Miniature circuit-breaker
Range	QO
Current Rating	15 A
Voltage Rating	120/240 V AC 120 V AC 48 V DC
Mounting Type	Bolt-on
Number of Poles	1P
Circuit Breaker Type	Standard
Ratings	HACR and Switching Duty rated
Electrical Connection	Pressure plate

Complementary

Interrupt Rating	10 kA at 120/240 V AC 50/60 Hz 10 kA at 120 V AC 50/60 Hz 5 kA at 48 V DC
Number of Panel Spaces	1
Wire Size	AWG 14...AWG 8 copper or aluminium
Tightening Torque	5 N.m for 10...25 mm ² (AWG 8...AWG 2)
Height	76 mm
Width	19 mm
Depth	74 mm
Net weight	0.127 kg

Environment

Certifications	UL listed CSA
Ambient Rating	40 °C

Packing Units

Unit Type of Package 1	PCE
Number of Units in Package 1	1

* List Price displayed is VAT EXCLUSIVE.

Package 1 Weight	127.0 g
Package 1 Height	8.382 cm
Package 1 width	2.032 cm
Package 1 Length	8.636 cm
Unit Type of Package 2	BB1
Number of Units in Package 2	10
Package 2 Weight	1.293 kg
Package 2 Height	8.382 cm
Package 2 width	2.032 cm
Package 2 Length	19.812 cm
Unit Type of Package 3	CAR
Number of Units in Package 3	100
Package 3 Weight	13.177 kg
Package 3 Height	20.32 cm
Package 3 width	20.066 cm
Package 3 Length	43.434 cm

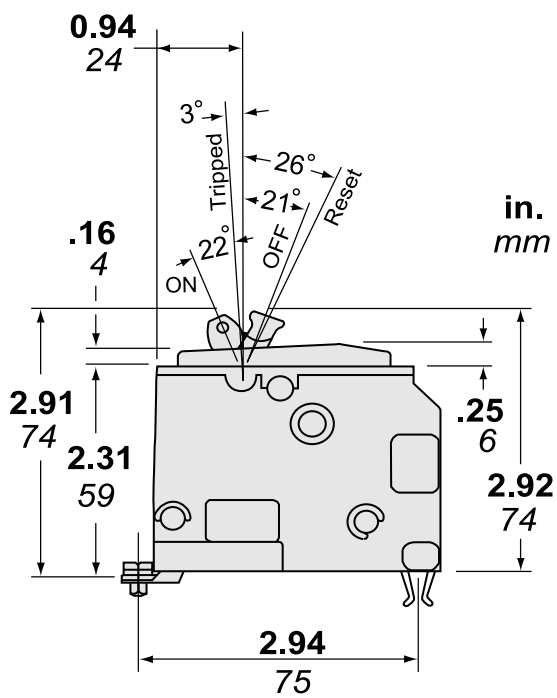
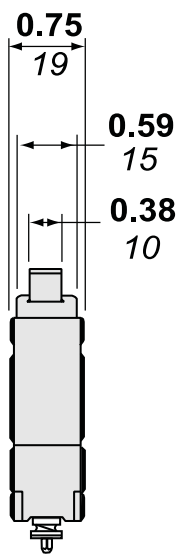
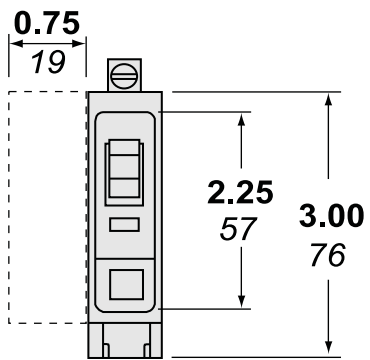
Offer Sustainability

Sustainable offer status	Green Premium product
REACH Regulation	REACH Declaration
REACH free of SVHC	Yes
EU RoHS Directive	Compliant EU RoHS Declaration
Toxic heavy metal free	Yes
Mercury free	Yes
RoHS exemption information	Yes
China RoHS Regulation	China RoHS declaration Product out of China RoHS scope. Substance declaration for your information
Halogen content performance	Halogen free product

Contractual warranty

Warranty	18 months
----------	-----------

Dimensions



Dimensions are approximate. Refer to technical documentation for additional detail.