

Product data sheet

Specifications



Mini bolt on circuit breaker, QO, 20A, 2 pole, 120/240 VAC, 10 kA

QOB220

Price* : 941.07 PHP

Main

| | |
|-----------------------|---------------------------|
| Product | Miniature circuit-breaker |
| Range | QO |
| Current Rating | 20 A |
| Voltage Rating | 120/240 V AC 120 V AC |
| Mounting Type | Bolt-on |
| Number of Poles | 2P |
| Circuit Breaker Type | Standard |
| Ratings | HACR rated |
| Electrical Connection | Pressure plate |

Complementary

| | |
|------------------------|--|
| Interrupt Rating | 10 kA at 120/240 V AC 50/60 Hz 10 kA at 120 V AC 50/60 Hz |
| Number of Panel Spaces | 2 |
| Wire Size | AWG 14...AWG 8 copper or aluminium |
| Tightening Torque | 5 N.m for 10...25 mm ² (AWG 8...AWG 2) |
| Height | 76 mm |
| Width | 38 mm |
| Depth | 74 mm |
| Net weight | 0.249 kg |

Environment

| | |
|----------------|------------------|
| Certifications | UL listed CSA |
| Ambient Rating | 40 °C |

Packing Units

| | |
|------------------------------|-----|
| Unit Type of Package 1 | PCE |
| Number of Units in Package 1 | 1 |

* List Price displayed is VAT EXCLUSIVE.

| | |
|------------------------------|-----------|
| Package 1 Height | 6.6 cm |
| Package 1 Width | 3.81 cm |
| Package 1 Length | 7.62 cm |
| Package 1 Weight | 249.48 g |
| Unit Type of Package 2 | BB1 |
| Number of Units in Package 2 | 5 |
| Package 2 Height | 8.382 cm |
| Package 2 Width | 3.81 cm |
| Package 2 Length | 19.304 cm |
| Package 2 Weight | 1.27 kg |
| Unit Type of Package 3 | CAR |
| Number of Units in Package 3 | 50 |
| Package 3 Height | 20.828 cm |
| Package 3 Width | 20.066 cm |
| Package 3 Length | 43.434 cm |
| Package 3 Weight | 12.905 kg |

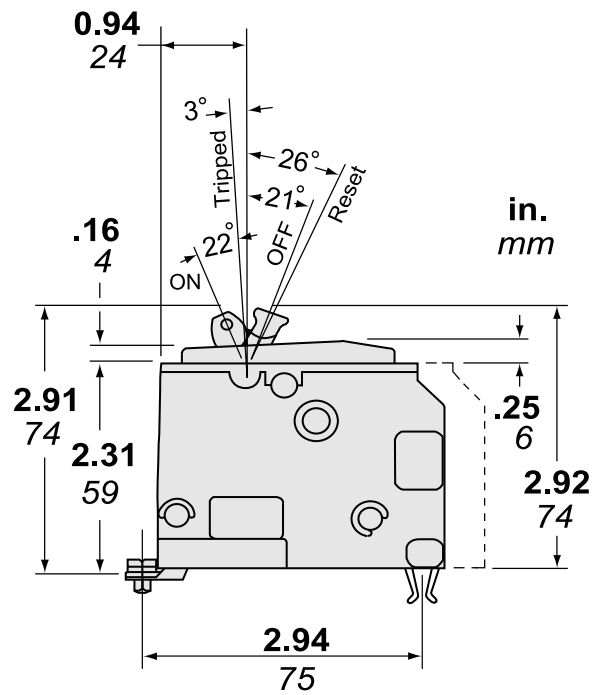
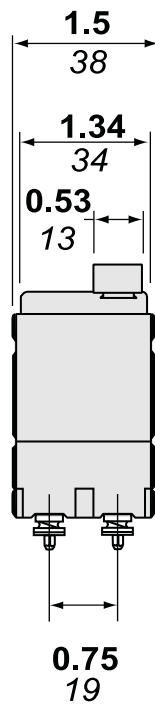
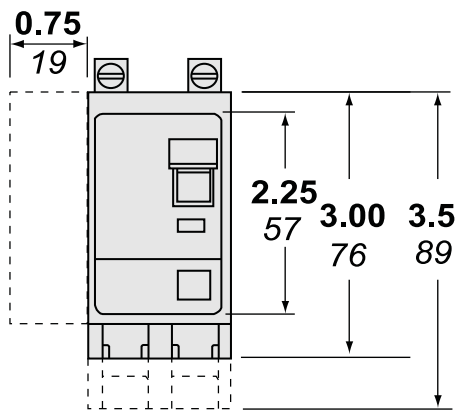
Offer Sustainability

| | |
|-----------------------------|---|
| Sustainable offer status | Green Premium product |
| REACH Regulation | REACH Declaration |
| EU RoHS Directive | Compliant EU RoHS Declaration |
| Toxic heavy metal free | Yes |
| Mercury free | Yes |
| China RoHS Regulation | China RoHS declaration Product out of China RoHS scope. Substance declaration for your information |
| RoHS exemption information | Yes |
| Halogen content performance | Halogen free product |

Contractual warranty

| | |
|----------|-----------|
| Warranty | 18 months |
|----------|-----------|

Dimensions



Dimensions are approximate. Refer to technical documentation for additional detail.

Recommended replacement(s)