

Product datasheet

Specifications



Illuminated push button, Harmony XB4, metal, flush, red, 22mm, spring return, It 250V, 1NO+1NC

XB4BW3465

Main

| | |
|---------------------------------|---|
| Range Of Product | Harmony XB4 |
| Product Or Component Type | Illuminated push-button |
| Device Short Name | XB4 |
| Bezel Material | Chromium plated metal |
| Fixing Collar Material | Zamak |
| Mounting Diameter | 22.5 mm |
| Sale Per Indivisible Quantity | 1 |
| Head Type | Standard |
| Shape Of Signaling Unit Head | Round |
| Type Of Operator | spring return |
| Operator Profile | Red flush |
| Operator Additional Information | With plain lens |
| Contacts Type And Composition | 1 NO + 1 NC |
| Contact Operation | Slow-break |
| Connections - Terminals | Screw clamp terminals, $\leq 2 \times 1.5 \text{ mm}^2$ with cable end conforming to IEC 60947-1 Screw clamp terminals, $1 \times 0.22\dots 2 \times 2.5 \text{ mm}^2$ without cable end conforming to IEC 60947-1 |
| Light Source | Bulb not included |
| Bulb Base | BA 9s |
| Light Block Supply | Direct $< 2.4 \text{ W}$ |
| [Us] Rated Supply Voltage | $\leq 250 \text{ V}$ |

Complementary

| | |
|------------------------------------|---|
| Height | 47 mm |
| Width | 30 mm |
| Depth | 57 mm |
| Terminals Description Iso N°1 | (21-22)NC (13-14)NO |
| Net Weight | 0.097 kg |
| Resistance To High Pressure Washer | 7000000 Pa at 55 °C, distance : 0.1 m |
| Contacts Usage | Standard contacts |
| Positive Opening | With conforming to IEC 60947-5-1 appendix K |

| | |
|--|--|
| Operating Travel | 1.5 mm (NC changing electrical state) 2.6 mm (NO changing electrical state) 4.3 mm (total travel) |
| Operating Force | 3.5 N NC changing electrical state 3.8 N |
| Mechanical Durability | 10000000 cycles |
| Tightening Torque | 0.8...1.2 N.m conforming to IEC 60947-1 |
| Shape Of Screw Head | Cross compatible with Philips no 1 screwdriver Cross compatible with pozidriv No 1 screwdriver Slotted compatible with flat Ø 4 mm screwdriver Slotted compatible with flat Ø 5.5 mm screwdriver |
| Contacts Material | Silver alloy (Ag/Ni) |
| Short-Circuit Protection | 10 A cartridge fuse type gG conforming to IEC 60947-5-1 |
| [Ith] Conventional Free Air Thermal Current | 10 A conforming to IEC 60947-5-1 |
| [Uij] Rated Insulation Voltage | 600 V (pollution degree 3) conforming to IEC 60947-1 |
| [Uimp] Rated Impulse Withstand Voltage | 6 kV conforming to IEC 60947-1 |
| [Ie] Rated Operational Current | 3 A at 240 V, AC-15, A600 conforming to IEC 60947-5-1 6 A at 120 V, AC-15, A600 conforming to IEC 60947-5-1 0.1 A at 600 V, DC-13, Q600 conforming to IEC 60947-5-1 0.27 A at 250 V, DC-13, Q600 conforming to IEC 60947-5-1 0.55 A at 125 V, DC-13, Q600 conforming to IEC 60947-5-1 1.2 A at 600 V, AC-15, A600 conforming to IEC 60947-5-1 |
| Electrical Durability | 1000000 cycles, AC-15, 2 A at 230 V, operating rate <3600 cyc/h, load factor: 0.5 conforming to IEC 60947-5-1 appendix C 1000000 cycles, AC-15, 3 A at 120 V, operating rate <3600 cyc/h, load factor: 0.5 conforming to IEC 60947-5-1 appendix C 1000000 cycles, AC-15, 4 A at 24 V, operating rate <3600 cyc/h, load factor: 0.5 conforming to IEC 60947-5-1 appendix C 1000000 cycles, DC-13, 0.2 A at 110 V, operating rate <3600 cyc/h, load factor: 0.5 conforming to IEC 60947-5-1 appendix C 1000000 cycles, DC-13, 0.5 A at 24 V, operating rate <3600 cyc/h, load factor: 0.5 conforming to IEC 60947-5-1 appendix C |
| Electrical Reliability | $\Lambda < 10\text{exp}(-6)$ at 5 V and 1 mA in clean environment conforming to IEC 60947-5-4 $\Lambda < 10\text{exp}(-8)$ at 17 V and 5 mA in clean environment conforming to IEC 60947-5-4 |
| Signalling Type | Steady |
| Device Presentation | Complete product |

Environment

| | |
|--|---|
| Protective Treatment | TH |
| Ambient Air Temperature For Storage | -40...70 °C |
| Ambient Air Temperature For Operation | -40...55 °C |
| Electrical Shock Protection Class | Class I conforming to IEC 60536 |
| Ip Degree Of Protection | IP66 conforming to IEC 60529 IP67 IP69 IP69K |
| Nema Degree Of Protection | NEMA 13 NEMA 4X |
| Ik Degree Of Protection | IK06 conforming to IEC 50102 |

| | |
|-------------------------------|--|
| Standards | IEC 60947-5-5 CSA C22.2 No 14 IEC 60947-5-1 JIS C8201-5-1 IEC 60947-5-4 UL 508 IEC 60947-1 JIS C8201-1 |
| Product Certifications | UL listed GL CSA LROS (Lloyds register of shipping) DNV BV |
| Vibration Resistance | 5 gn (f= 2...500 Hz) conforming to IEC 60068-2-6 |
| Shock Resistance | 30 gn (duration = 18 ms) for half sine wave acceleration conforming to IEC 60068-2-27 50 gn (duration = 11 ms) for half sine wave acceleration conforming to IEC 60068-2-27 |

Packing Units

| | |
|-------------------------------------|----------|
| Unit Type Of Package 1 | PCE |
| Number Of Units In Package 1 | 1 |
| Package 1 Height | 3.4 cm |
| Package 1 Width | 5.0 cm |
| Package 1 Length | 8.6 cm |
| Package 1 Weight | 96.0 g |
| Unit Type Of Package 2 | S02 |
| Number Of Units In Package 2 | 55 |
| Package 2 Height | 15.0 cm |
| Package 2 Width | 30.0 cm |
| Package 2 Length | 40.0 cm |
| Package 2 Weight | 5.595 kg |

Contractual warranty

| | |
|-----------------|-----------|
| Warranty | 18 months |
|-----------------|-----------|

Sustainability

Green Premium™ label is Schneider Electric's commitment to delivering products with best-in-class environmental performance. Green Premium promises compliance with the latest regulations, transparency on environmental impacts, as well as circular and low-CO₂ products.

Guide to assessing product sustainability is a white paper that clarifies global eco-label standards and how to interpret environmental declarations.

[Learn more about Green Premium >](#)

[Guide to assess a product's sustainability >](#)



Transparency RoHS/REACH

Well-being performance

Mercury Free

Rohs Exemption Information Yes

Certifications & Standards

Reach Regulation [REACH Declaration](#)

Eu Rohs Directive Pro-active compliance (Product out of EU RoHS legal scope)

China Rohs Regulation [China RoHS declaration](#)

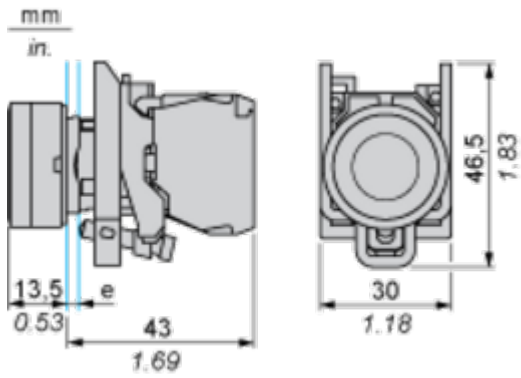
Environmental Disclosure [Product Environmental Profile](#)

Weee The product must be disposed on European Union markets following specific waste collection and never end up in rubbish bins

Circularity Profile [End of Life Information](#)

Dimensions Drawings

Dimensions



e : clamping thickness: 1 to 6 mm / 0.04 to 0.24 in.

Mounting and Clearance

Panel Cut-out for Pushbuttons, Switches and Pilot Lights (Finished Holes, Ready for Installation)

| Connection by Screw Clamp Terminals or Plug-in Connectors or on Printed Circuit Board | Connection by Faston Connectors |
|---|--|
|  |  |
| <p>(1) Diameter on finished panel or support (2) 40 mm min. / 1.57 in. min. (3) 30 mm min. / 1.18 in. min. (4) $\varnothing 22.5 \text{ mm} / 0.89 \text{ in. recommended } (\varnothing 22.3 \text{ mm }_0^{+0.4} / 0.88 \text{ in. }_0^{+0.016})$ (5) 45 mm min. / 1.78 in. min. (6) 32 mm min. / 1.26 in. min.</p> | |