

# Product datasheet

Specifications



## EP MVS 3200A 65kA 3P EDO 240VAC W/O PROT drawout elec switch disconnecter

MVS32H3NW0D

### Main

Range of product	EasyPact MVS
Range	EasyPact
Product name	MVS32HA
Device short name	MVS32HA
Product or component type	Switch disconnecter
Device application	Distribution
Poles description	3P
Network type	AC
Suitability for isolation	Yes conforming to IEC 60947-2
Utilisation category	AC-23A

### Complementary

Network frequency	50/60 Hz
Control type	Electrically operated
Mounting mode	Drawout
Mounting support	Rail Base plate
Connection position	Horizontal Vertical
Location of connection	Rear
[Ie] rated operational current	AC-23A: 3200 A AC 50/60 Hz 690 V
Rated duty	Continuous
[Ui] rated insulation voltage	1000 V AC 50/60 Hz conforming to IEC 60947-3
[Uimp] rated impulse withstand voltage	12 kV conforming to IEC 60947-3
[Icw] rated short-time withstand current	65 kA during 1 s conforming to IEC 60947-3 at -5...70 °C 36 kA during 3 s conforming to IEC 60947-3 at -5...70 °C
[Icm] rated short-circuit making capacity	143 kA AC at 50/60 Hz
[Ue] rated operational voltage	690 V AC 50/60 Hz conforming to IEC 60947-3
Contact position indicator	Yes
Mechanical durability	20000 cycles with maintenance conforming to IEC 60947-3

10000 cycles without maintenance conforming to IEC 60947-3

<b>Electrical durability</b>	AC-23A: 5000000 cycles 440 V AC 50/60 Hz without maintenance conforming to IEC 60947-3 AC-23A: 2500000 cycles 690 V AC 50/60 Hz without maintenance conforming to IEC 60947-3
<b>Connection pitch</b>	115 mm without spreader
<b>Height</b>	439 mm
<b>Width</b>	441 mm
<b>Depth</b>	395 mm
<b>Net weight</b>	90 kg

## Environment

<b>Standards</b>	IEC 60947-3
<b>Product certifications</b>	CCS GOST IEC CCC
<b>IP degree of protection</b>	IP40
<b>Pollution degree</b>	4 conforming to IEC 60664-1
<b>Ambient air temperature for operation</b>	-5...70 °C
<b>Ambient air temperature for storage</b>	-40...85 °C without control unit

## Packing Units

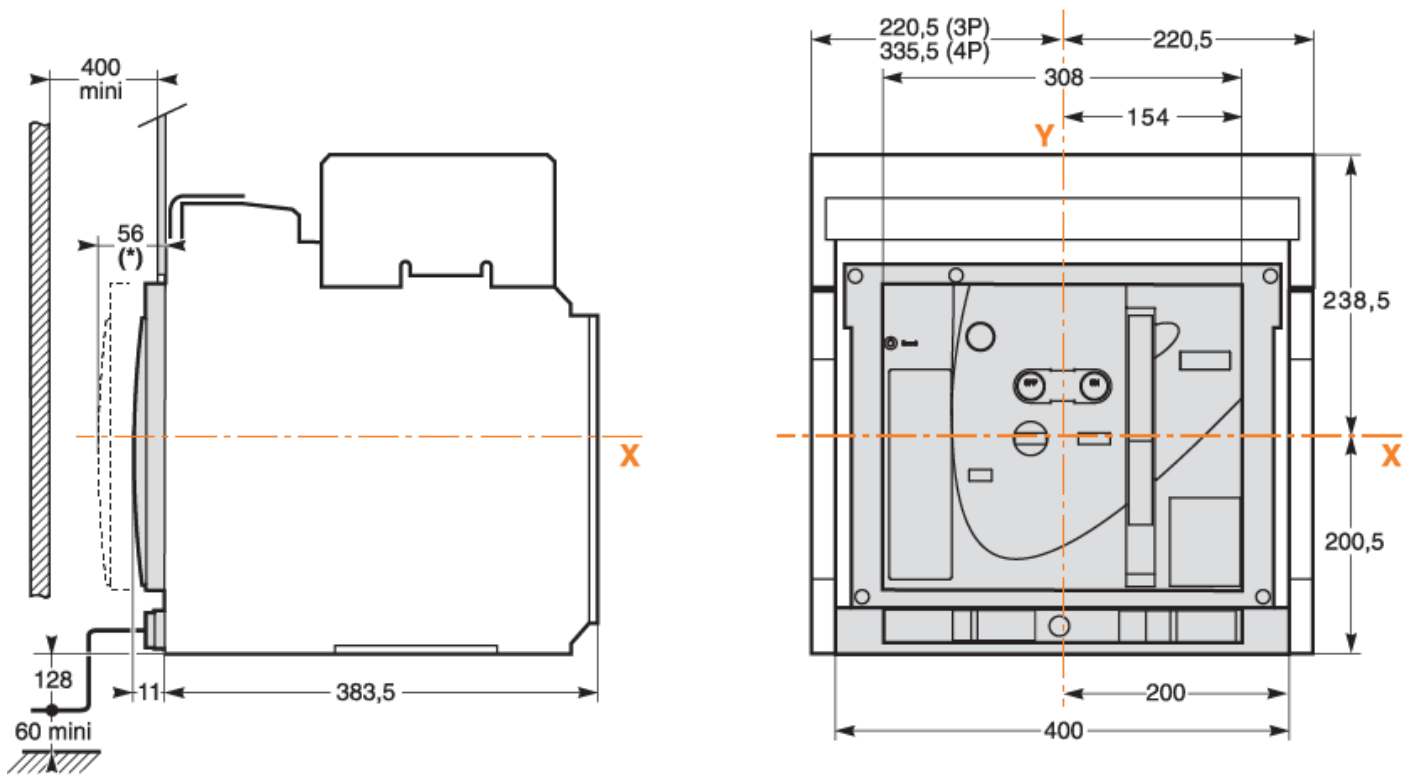
<b>Unit Type of Package 1</b>	PCE
<b>Number of Units in Package 1</b>	1
<b>Package 1 Height</b>	42.0 cm
<b>Package 1 Width</b>	35.0 cm
<b>Package 1 Length</b>	50.0 cm
<b>Package 1 Weight</b>	38.0 kg

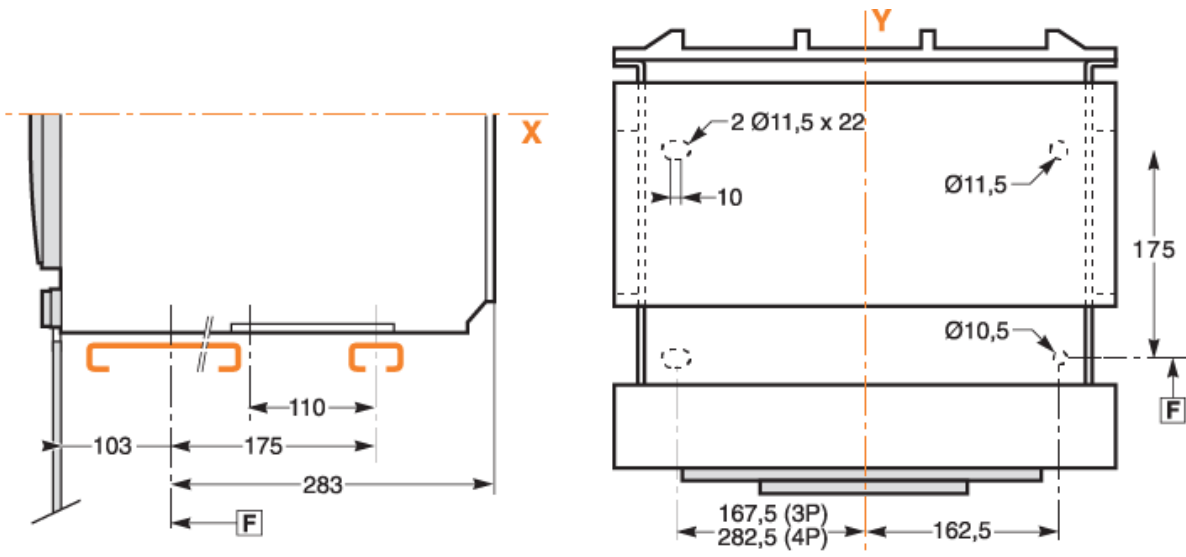
## Offer Sustainability

<b>Sustainable offer status</b>	Green Premium product
<b>REACH Regulation</b>	<a href="#">REACH Declaration</a>
<b>EU RoHS Directive</b>	Compliant <a href="#">EU RoHS Declaration</a>
<b>Mercury free</b>	Yes
<b>China RoHS Regulation</b>	<a href="#">China RoHS declaration</a> Product out of China RoHS scope. Substance declaration for your information
<b>RoHS exemption information</b>	<a href="#">Yes</a>
<b>Environmental Disclosure</b>	<a href="#">Product Environmental Profile</a>
<b>Circularity Profile</b>	<a href="#">End of Life Information</a>

## Contractual warranty

<b>Warranty</b>	18 months
-----------------	-----------





Recommended replacement(s)