

Product datasheet

Specifications



TRIGGER ACTION, MUSHROOM, METAL BASE

Local distributor code: 395509407 9001KR16

Main

| | |
|---------------------------|--------------------------------|
| Range of product | Harmony 9001K |
| Product or component type | Emergency stop push-button |
| Product compatibility | Contact block 9001KA.. |
| Device short name | 9001K |
| Type of operator | Turn to release trigger action |
| Operator profile | Red mushroom Ø 40 mm, unmarked |

Complementary

| | |
|-------------------------------|-----------------------|
| Bezel material | Chromium plated metal |
| Mounting diameter | 30 mm |
| CAD overall width | 40 mm |
| CAD overall height | 40 mm |
| CAD overall depth | 116 mm |
| Net weight | 0.141 kg |
| Operating position | Any position |
| Shape of signaling unit head | Round |
| Head material | Plastic |
| Operator position information | 2 positions |
| Contacts type and composition | Without contact block |
| Mechanical durability | 5000000 cycles |
| Device presentation | Basic element |

Environment

| | |
|---------------------------------------|----------------------------------|
| Protective treatment | TC |
| Ambient air temperature for storage | -40...70 °C |
| Ambient air temperature for operation | -25...70 °C |
| Overvoltage category | Class II conforming to IEC 61140 |
| IP degree of protection | IP66 conforming to IEC 60529 |

| | |
|----------------------------------|--|
| NEMA degree of protection | NEMA 1 NEMA 12 NEMA 13 NEMA 2 NEMA 3 NEMA 3R NEMA 4 NEMA 6 |
| Standards | EN/IEC 60204-1, for emergency stop devices if used with emergency stop legend plate type 9001KN EN/ISO 13850, for emergency stop devices if used with emergency stop legend plate type 9001KN EN/IEC 60947-5-1 EN/IEC 60947-1 EN/IEC 60947-5-4 EN/IEC 60947-5-5 JIS C 4520 JIS C 852 UL 508 CSA C22.2 No 14 |
| Product certifications | UL 508 NEMA |
| Vibration resistance | 7 gn (f= 2...500 Hz) conforming to IEC 60068-2-6 |
| Shock resistance | 50 gn conforming to IEC 60068-2-27 |

Packing Units

| | |
|-------------------------------------|-----------|
| Unit Type of Package 1 | PCE |
| Number of Units in Package 1 | 1 |
| Package 1 Weight | 172.365 g |
| Package 1 Height | 5.842 cm |
| Package 1 width | 5.08 cm |
| Package 1 Length | 11.43 cm |
| Unit Type of Package 2 | S01 |
| Number of Units in Package 2 | 14 |
| Package 2 Weight | 2.617 kg |
| Package 2 Height | 15 cm |
| Package 2 width | 15 cm |
| Package 2 Length | 40 cm |

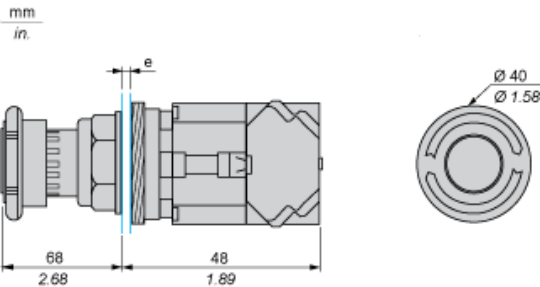
Offer Sustainability

| | |
|-----------------------------------|---|
| Sustainable offer status | Green Premium product |
| REACH Regulation | REACH Declaration |
| EU RoHS Directive | Pro-active compliance (Product out of EU RoHS legal scope) EU RoHS Declaration |
| Mercury free | Yes |
| RoHS exemption information | Yes |
| China RoHS Regulation | China RoHS declaration |
| Environmental Disclosure | Product Environmental Profile |
| WEEE | The product must be disposed on European Union markets following specific waste collection and never end up in rubbish bins |

Contractual warranty

| | |
|-----------------|-----------|
| Warranty | 18 months |
|-----------------|-----------|

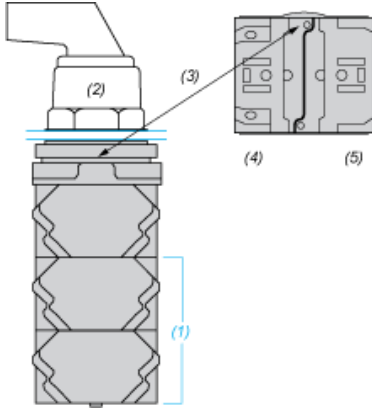
Dimensions



e panel thickness: 1 to 6 mm / 0.04 to 0.24 in.

Contact Block Mounting Position

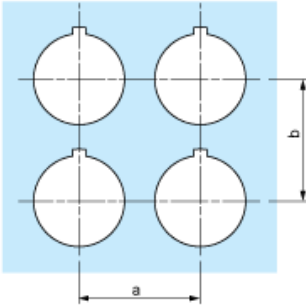
Top and Rear views



- (1) It is possible to mount up to 3 levels of contacts blocks (maximum of 6 contacts blocks)
- (2) Operator
- (3) Locating notch
- (4) Side 1
- (5) Side 2

Panel Cut-Out

Clearance



| Legend plate | a min. | | b min. | |
|--------------|--------|------|--------|------|
| | mm | in. | mm | in. |
| 9001KN2** | 57.2 | 2.25 | 44.5 | 1.75 |
| 9001KN3** | 57.2 | 2.25 | 50.8 | 2.00 |

Individual Cut-outs Details

2 alternatives

mm
in.

