

# Product datasheet

Specifications



## 30MM PUSH BUTTON FULL GUARD

Local distributor code: 387211266 9001KR1U

### Main

Range of product	Harmony 9001K
Product or component type	Head for spring return push-button
Device short name	9001K
Operator profile	flush, unmarked
Operator additional information	Set of 7 color caps

### Complementary

Mounting diameter	30 mm
Shape of signaling unit head	Round
Type of operator	spring return
Net weight	0.087 kg

### Packing Units

Unit Type of Package 1	PCE
Number of Units in Package 1	1
Package 1 Weight	108.862 g
Package 1 Height	5 cm
Package 1 width	5.5 cm
Package 1 Length	9.5 cm
Unit Type of Package 2	S01
Number of Units in Package 2	24
Package 2 Weight	2.77 kg
Package 2 Height	15 cm
Package 2 width	15 cm
Package 2 Length	40 cm
Package 3 Height	101.6 cm

### Offer Sustainability

Sustainable offer status	Green Premium product
REACH Regulation	<a href="#">REACH Declaration</a>

---

<b>EU RoHS Directive</b>	Pro-active compliance (Product out of EU RoHS legal scope) <a href="#">EU RoHS Declaration</a>
<b>Mercury free</b>	Yes
<b>RoHS exemption information</b>	<a href="#">Yes</a>
<b>China RoHS Regulation</b>	<a href="#">China RoHS declaration</a>
<b>Environmental Disclosure</b>	<a href="#">Product Environmental Profile</a>
<b>WEEE</b>	The product must be disposed on European Union markets following specific waste collection and never end up in rubbish bins

---

## **Contractual warranty**

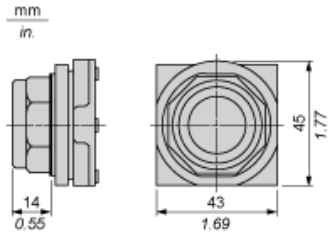
---

<b>Warranty</b>	18 months
-----------------	-----------

---

Dimensions

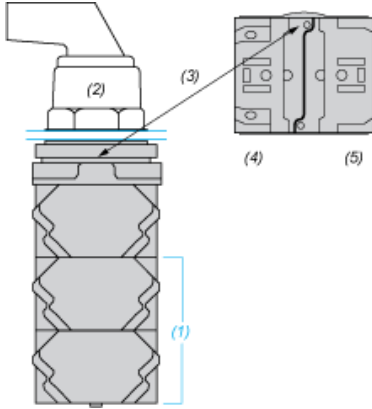
---



**Contact Block Mounting Position**

---

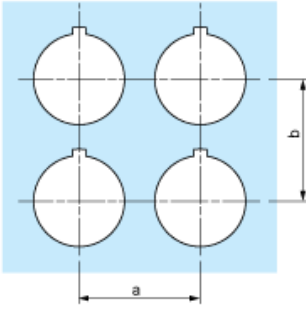
Top and Rear views



- (1) It is possible to mount up to 3 levels of contacts blocks (maximum of 6 contacts blocks)
- (2) Operator
- (3) Locating notch
- (4) Side 1
- (5) Side 2

**Panel Cut-Out**

**Clearance**



Legend plate	a min.		b min.	
	mm	in.	mm	in.
9001KN2**	57.2	2.25	44.5	1.75
9001KN3**	57.2	2.25	50.8	2.00

**Individual Cut-outs Details**

2 alternatives

mm  
in.

