

# Product datasheet

Specifications



## PUSH BUTTON 600VAC 10A 30MM T-K

Local distributor code: 387206556 9001KR3UH5

### Main

Range of product	Harmony 9001K
Product or component type	Push-button
Device short name	9001K
Type of operator	spring return
Operator profile	7 colours choice projecting, unmarked
Operator additional information	Without guard

### Complementary

Bezel material	Chromium plated metal
Mounting diameter	30 mm
Shape of signaling unit head	Octagonal
Contacts type and composition	1 NO
Connections - terminals	Screw clamp terminals 1 x 0.22...2 x 1.5 mm <sup>2</sup> conforming to IEC 60947-1
Tightening torque	0.8 N.m conforming to IEC 60947-1
Shape of screw head	Cross slotted
Mechanical durability	5000000 cycles
Operating position	Any position
[Ie] rated operational current	3 A at 240 V, AC-15, A600-Q600 conforming to NEMA 0.55 A at 125 V, DC-13, A600-Q600 conforming to NEMA
[Ui] rated insulation voltage	250 V (pollution degree 3) conforming to IEC 60947-1
[Uimp] rated impulse withstand voltage	2.5 kV conforming to IEC 60947-1
Contacts material	Silver alloy contacts
Contact operation	Slow-break
Positive opening	Without
Short-circuit protection	10 A cartridge fuse conforming to IEC 60947-5-1
[Ith] conventional free air thermal current	10 A
[Icm] rated short-circuit making capacity	12 kA at 600 V AC-15, 7200 VA 15 kA at 480 V AC-15, 7200 VA 30 kA at 240 V AC-15, 7200 VA 60 kA at 120 V AC-15, 7200 VA 0.1 kA at 600 V DC-13

0.27 kA at 250 V DC-13  
0.55 kA at 125 V DC-13

<b>Rated breaking capacity</b>	3 kA at 240 V AC-15, 720 VA 6 kA at 120 V AC-15, 720 VA 1.2 kA at 600 V AC-15, 720 VA 1.5 kA at 480 V AC-15, 720 VA 0.1 kA at 600 V DC-13 0.27 kA at 250 V DC-13 0.55 kA at 125 V DC-13
--------------------------------	---

<b>Net weight</b>	0.128 kg
-------------------	----------

<b>Device presentation</b>	Complete product
----------------------------	------------------

## Environment

<b>Standards</b>	JIS C 852 UL 508 JIS C 4520 CSA C22.2 No 14 EN/IEC 60947-1 EN/IEC 60947-5-4 EN/IEC 60947-5-1
------------------	--

<b>Product certifications</b>	NEMA UL 508
-------------------------------	----------------

<b>Protective treatment</b>	TC
-----------------------------	----

<b>Ambient air temperature for storage</b>	-40...70 °C
--	-------------

<b>Ambient air temperature for operation</b>	-25...70 °C
--	-------------

<b>Vibration resistance</b>	7 gn (f= 2...500 Hz) conforming to IEC 60068-2-6
-----------------------------	--

<b>Shock resistance</b>	50 gn conforming to IEC 60068-2-27
-------------------------	------------------------------------

<b>Electrical shock protection class</b>	Class II conforming to IEC 61140
--	----------------------------------

<b>IP degree of protection</b>	IP66 conforming to IEC 60529
--------------------------------	------------------------------

<b>NEMA degree of protection</b>	NEMA 1 NEMA 12 NEMA 13 NEMA 2 NEMA 3 NEMA 3R NEMA 4
----------------------------------	---

## Packing Units

<b>Unit Type of Package 1</b>	PCE
-------------------------------	-----

<b>Number of Units in Package 1</b>	1
-------------------------------------	---

<b>Package 1 Weight</b>	122.47 g
-------------------------	----------

<b>Package 1 Height</b>	4.826 cm
-------------------------	----------

<b>Package 1 width</b>	5.588 cm
------------------------	----------

<b>Package 1 Length</b>	9.144 cm
-------------------------	----------

## Offer Sustainability

<b>Sustainable offer status</b>	Green Premium product
---------------------------------	-----------------------

<b>REACH Regulation</b>	<a href="#">REACH Declaration</a>
-------------------------	-----------------------------------

<b>EU RoHS Directive</b>	Pro-active compliance (Product out of EU RoHS legal scope) <a href="#">EU RoHS Declaration</a>
--------------------------	---

<b>Mercury free</b>	Yes
---------------------	-----

<b>RoHS exemption information</b>	<a href="#">Yes</a>
-----------------------------------	---------------------

<b>China RoHS Regulation</b>	<a href="#">China RoHS declaration</a>
------------------------------	--

<b>Environmental Disclosure</b>	<a href="#">Product Environmental Profile</a>
---------------------------------	---

---

<b>WEEE</b>	The product must be disposed on European Union markets following specific waste collection and never end up in rubbish bins
-------------	---

---

**Contractual warranty**

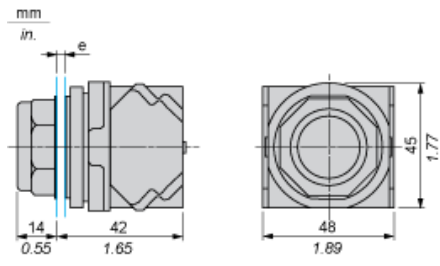
---

<b>Warranty</b>	18 months
-----------------	-----------

---

**Dimensions**

---

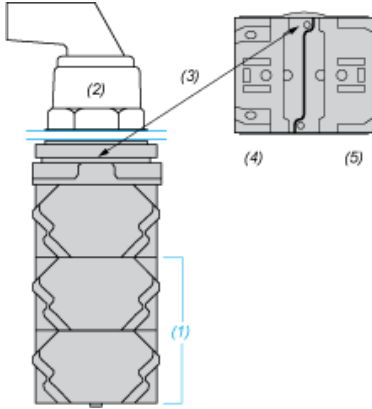


e panel thickness: 1 to 6 mm / 0.04 to 0.24 in.

**Contact Block Mounting Position**

---

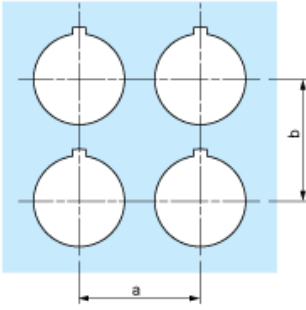
Top and Rear views



- (1) It is possible to mount up to 3 levels of contacts blocks (maximum of 6 contacts blocks)
- (2) Operator
- (3) Locating notch
- (4) Side 1
- (5) Side 2

**Panel Cut-Out**

**Clearance**



Legend plate	a min.		b min.	
	mm	in.	mm	in.
9001KN2**	57.2	2.25	44.5	1.75
9001KN3**	57.2	2.25	50.8	2.00

**Individual Cut-outs Details**

2 alternatives

mm  
in.

