

Product datasheet

Specifications



PUSH BUTTON 600VAC 10A 30MM T-K

9001KR8P38RH25

- ❗ Discontinued on: 20 October 2020
- ❗ End-of-service on: 21 October 2020

❗ Discontinued

Main

Range of product	Harmony 9001K
Product or component type	Illuminated mushroom head push-button
Device short name	9001K
Type of operator	pull : spring return, center : stay put, push : spring return
Operator profile	Red mushroom Ø 41 mm, unmarked
Light block supply	Direct

Complementary

Bezel material	Chromium plated metal
Mounting diameter	30 mm
CAD overall width	54 mm
CAD overall height	42 mm
CAD overall depth	103 mm
Terminals description ISO n°1	(21-22)NC (11-12)NC_OL
Net weight	0.168 kg
Operating position	Any position
Shape of signaling unit head	Round
Operator position information	3 positions
Contacts type and composition	2 NC
Contacts type and composition	1 NC for late-break 1 NC for slow-break
Positive opening	With conforming to IEC 60947-5-2
Mechanical durability	5000000 cycles
Connections - terminals	Screw clamp terminals, 1 x 0.22...2 x 1.5 mm ² conforming to IEC 60947-1
Tightening torque	0.8 N.m conforming to IEC 60947-1
Shape of screw head	Cross slotted
Contacts material	Silver alloy contacts
Short-circuit protection	10 A cartridge fuse conforming to IEC 60947-5-1

[Ith] conventional free air thermal current	10 A
[Ui] rated insulation voltage	250 V (pollution degree 3) conforming to IEC 60947-1
[Uimp] rated impulse withstand voltage	2.5 kV conforming to IEC 60947-1
[Ie] rated operational current	0.55 A at 125 V, DC-13, A600-Q600 conforming to NEMA
[Icm] rated short-circuit making capacity	12 kA at 600 V AC-15, 7200 VA 15 kA at 480 V AC-15, 7200 VA 30 kA at 240 V AC-15, 7200 VA 60 kA at 120 V AC-15, 7200 VA
Rated breaking capacity	1.2 kA at 600 V AC-15, 720 VA 1.5 kA at 480 V AC-15, 720 VA 3 kA at 240 V AC-15, 720 VA 6 kA at 120 V AC-15, 720 VA 0.1 kA at 600 V DC-13 0.27 kA at 250 V DC-13 0.55 kA at 125 V DC-13
Light source	incandescent
Bulb base	BA 9s
[Us] rated supply voltage	120 V AC/DC
Operator additional information	Screw-on plastic mushroom
Device presentation	Complete product

Environment

Protective treatment	TC
Ambient air temperature for storage	-40...70 °C
Ambient air temperature for operation	-25...70 °C
Electrical shock protection class	Class II conforming to IEC 61140
IP degree of protection	IP66 conforming to IEC 60529
NEMA degree of protection	NEMA 1 NEMA 12 NEMA 13 NEMA 2 NEMA 3 NEMA 3R NEMA 4
Standards	EN/IEC 60947-1 UL 508 JIS C 4520 JIS C 852 CSA C22.2 No 14 EN/IEC 60947-5-1 EN/IEC 60947-5-4
Product certifications	NEMA UL 508
Vibration resistance	7 gn (f= 2...500 Hz) conforming to IEC 60068-2-6
Shock resistance	50 gn conforming to IEC 60068-2-27

Packing Units

Unit Type of Package 1	PCE
Number of Units in Package 1	1
Package 1 Weight	226.796 g
Package 1 Height	4.826 cm
Package 1 width	5.842 cm
Package 1 Length	11.43 cm

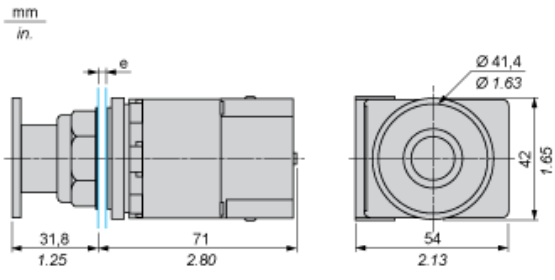
Offer Sustainability

Sustainable offer status	Green Premium product
REACH Regulation	REACH Declaration
EU RoHS Directive	Pro-active compliance (Product out of EU RoHS legal scope) EU RoHS Declaration
Mercury free	Yes
RoHS exemption information	Yes
China RoHS Regulation	China RoHS declaration
Environmental Disclosure	Product Environmental Profile
WEEE	The product must be disposed on European Union markets following specific waste collection and never end up in rubbish bins

Contractual warranty

Warranty	18 months
-----------------	-----------

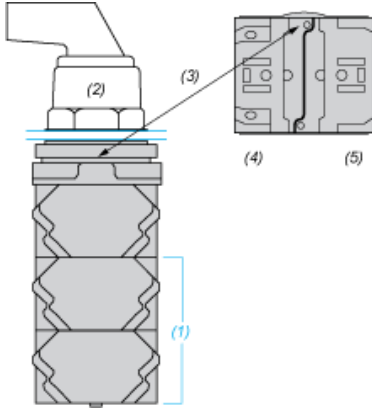
Dimensions



e panel thickness: 1 to 6 mm / 0.04 to 0.24 in.

Contact Block Mounting Position

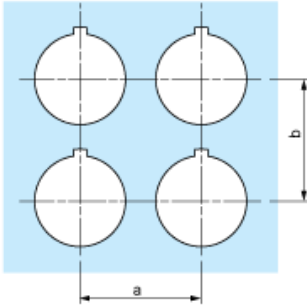
Top and Rear views



- (1) It is possible to mount up to 3 levels of contacts blocks (maximum of 6 contacts blocks)
- (2) Operator
- (3) Locating notch
- (4) Side 1
- (5) Side 2

Panel Cut-Out

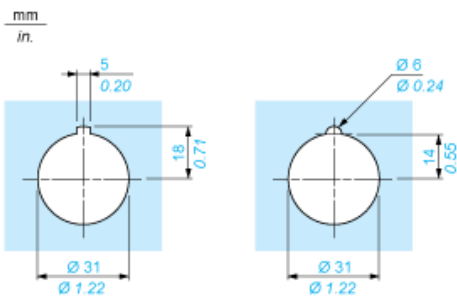
Clearance



Legend plate	a min.		b min.	
	mm	in.	mm	in.
9001KN2**	57.2	2.25	44.5	1.75
9001KN3**	57.2	2.25	50.8	2.00

Individual Cut-outs Details

2 alternatives



Recommended replacement(s)

9001KR8P38RH25 is replaced by the following product range:



Harmony 9001 K

Ø 30 metallic signaling units. Chromium plated metal bezel buttons and indicators.

Products: 533