

# Product datasheet

Specifications



## PUSH BUTTON 600VAC 10A 30MM T-K

Local distributor code: 387206912 9001KR9R20H6

### Main

Range of product	Harmony 9001K
Product or component type	Mushroom head push-button
Device short name	9001K
Type of operator	push-pull
Operator profile	Red mushroom Ø 35 mm, unmarked

### Complementary

Bezel material	Chromium plated metal
Mounting diameter	30 mm
Net weight	0.141 kg
Operating position	Any position
Shape of signaling unit head	Round
Head material	Plastic
Operator additional information	Screw-on plastic mushroom
Operator position information	2 positions
Contacts type and composition	1 NC
Contact operation	Slow-break
Positive opening	With conforming to IEC 60947-5-2
Mechanical durability	5000000 cycles
Connections - terminals	Screw clamp terminals, 1 x 0.22...2 x 1.5 mm <sup>2</sup> conforming to EN/IEC 60947-1
Tightening torque	0.8 N.m conforming to EN/IEC 60947-1
Shape of screw head	Cross slotted
Contacts material	Silver alloy contacts
Short-circuit protection	10 A cartridge fuse conforming to EN/IEC 60947-5-1
[I <sub>th</sub> ] conventional free air thermal current	10 A
[U <sub>i</sub> ] rated insulation voltage	250 V (pollution degree 3) conforming to EN/IEC 60947-1
[U <sub>imp</sub> ] rated impulse withstand voltage	2.5 kV conforming to EN/IEC 60947-1
[I <sub>e</sub> ] rated operational current	3 A at 240 V, AC-15, A600-Q600 conforming to NEMA

<b>[Icm] rated short-circuit making capacity</b>	12 kA at 600 V AC-15, 7200 VA 15 kA at 480 V AC-15, 7200 VA 30 kA at 240 V AC-15, 7200 VA 60 kA at 120 V AC-15, 7200 VA 0.1 kA at 600 V DC-13 0.27 kA at 250 V DC-13 0.55 kA at 125 V DC-13
--	---

<b>Rated breaking capacity</b>	3 kA at 240 V AC-15, 720 VA 6 kA at 120 V AC-15, 720 VA 1.2 kA at 600 V AC-15, 720 VA 1.5 kA at 480 V AC-15, 720 VA 0.1 kA at 600 V DC-13 0.27 kA at 250 V DC-13 0.55 kA at 125 V DC-13
--------------------------------	---

<b>Device presentation</b>	Complete product
----------------------------	------------------

## Environment

<b>Protective treatment</b>	TC
<b>Ambient air temperature for storage</b>	-40...70 °C

<b>Ambient air temperature for operation</b>	-25...70 °C
--	-------------

<b>Overvoltage category</b>	Class II conforming to IEC 61140
-----------------------------	----------------------------------

<b>IP degree of protection</b>	IP66 conforming to IEC 60529
--------------------------------	------------------------------

<b>NEMA degree of protection</b>	NEMA 1 NEMA 12 NEMA 13 NEMA 2 NEMA 3 NEMA 3R NEMA 4 NEMA 6
----------------------------------	---

<b>Standards</b>	EN/IEC 60947-5-1 EN/IEC 60947-1 EN/IEC 60947-5-4 JIS C 4520 JIS C 852 UL 508 CSA C22.2 No 14
------------------	--

<b>Product certifications</b>	NEMA UL 508
-------------------------------	----------------

<b>Vibration resistance</b>	7 gn (f= 2...500 Hz) conforming to IEC 60068-2-6
-----------------------------	--

<b>Shock resistance</b>	50 gn conforming to IEC 60068-2-27
-------------------------	------------------------------------

## Packing Units

<b>Unit Type of Package 1</b>	PCE
<b>Number of Units in Package 1</b>	1
<b>Package 1 Weight</b>	226.796 g
<b>Package 1 Height</b>	4.9 cm
<b>Package 1 width</b>	5.9 cm
<b>Package 1 Length</b>	9.401 cm
<b>Unit Type of Package 2</b>	S01
<b>Number of Units in Package 2</b>	10
<b>Package 2 Weight</b>	2.468 kg
<b>Package 2 Height</b>	15 cm
<b>Package 2 width</b>	15 cm
<b>Package 2 Length</b>	40 cm

## Offer Sustainability

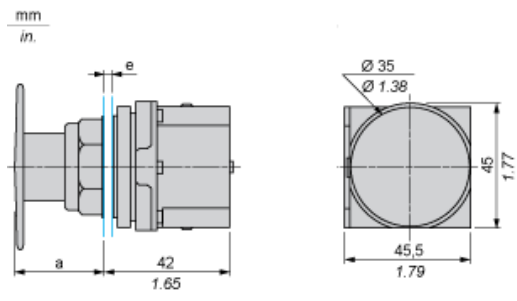
<b>Sustainable offer status</b>	Green Premium product
<b>REACH Regulation</b>	<a href="#">REACH Declaration</a>
<b>EU RoHS Directive</b>	Pro-active compliance (Product out of EU RoHS legal scope) <a href="#">EU RoHS Declaration</a>
<b>Mercury free</b>	Yes
<b>RoHS exemption information</b>	<a href="#">Yes</a>
<b>China RoHS Regulation</b>	<a href="#">China RoHS declaration</a>
<b>Environmental Disclosure</b>	<a href="#">Product Environmental Profile</a>
<b>WEEE</b>	The product must be disposed on European Union markets following specific waste collection and never end up in rubbish bins

## Contractual warranty

<b>Warranty</b>	18 months
-----------------	-----------

**Dimensions**

---

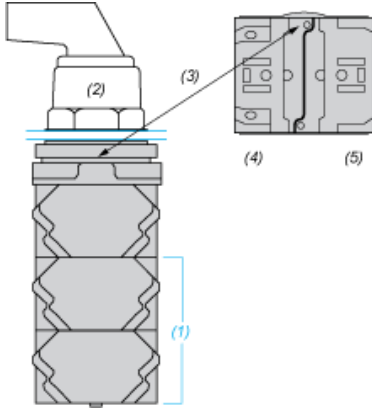


- e panel thickness: 1 to 6 mm / 0.04 to 0.24 in.
- a 32 mm / 1.26 in.

**Contact Block Mounting Position**

---

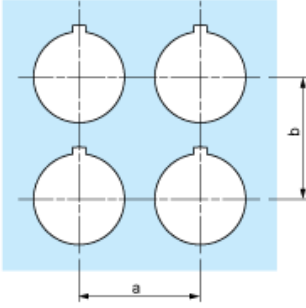
Top and Rear views



- (1) It is possible to mount up to 3 levels of contacts blocks (maximum of 6 contacts blocks)
- (2) Operator
- (3) Locating notch
- (4) Side 1
- (5) Side 2

**Panel Cut-Out**

**Clearance**



Legend plate	a min.		b min.	
	mm	in.	mm	in.
9001KN2**	57.2	2.25	44.5	1.75
9001KN3**	57.2	2.25	50.8	2.00

**Individual Cut-outs Details**

2 alternatives

