



Main

Range of product	Advantys ABE9
Product or component type	IP67 passive splitter box
Number of channels	4
Electrical connection	1 male plug-in connector 4 female connectors M12 5 pins
Status LED	1 LED per channel (yellow)channel status 2 LEDs (green)power ON

Complementary

Number of ways	8 ways
[Ue] rated operational voltage	24 V DC
Current per channel	4 A
Insulation group	Category 3 conforming to VDE 0110
Operating position	Any position
Fixing mode	M4 screw fixing
Contact resistance	5000 µOhm
Current of common	16 A 1 mm ² 12 A 0.75 mm ²
Separation of commons	Without or with
Product weight	0.06 kg

Environment

IP degree of protection	IP67 conforming to IEC 529
Product certifications	cULus
Ambient air temperature for operation	-20...80 °C
Ambient air temperature for storage	-40...85 °C
Vibration resistance	0.2 gn (f= 57...150 Hz) conforming to IEC 68-2-6, FC tests
Shock resistance	30 gn for 11 ms conforming to EN 68-2-2 30 gn for 11 ms conforming to IEC 68-2-2

Packing Units

Unit Type of Package 1	PCE
Number of Units in Package 1	1
Package 1 Weight	96 g
Package 1 Height	4 cm
Package 1 width	5.7 cm
Package 1 Length	15.5 cm
Unit Type of Package 2	S02
Number of Units in Package 2	24
Package 2 Weight	2.754 kg
Package 2 Height	15 cm
Package 2 width	30 cm
Package 2 Length	40 cm

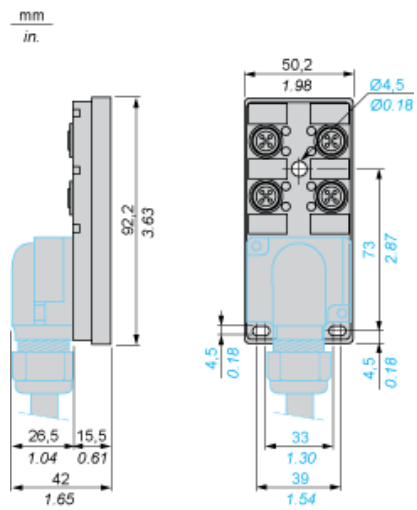
Offer Sustainability

EU RoHS Directive	Pro-active compliance (Product out of EU RoHS legal scope) EU RoHS Declaration
Toxic heavy metal free	Yes
Mercury free	Yes
RoHS exemption information	Yes
China RoHS Regulation	China RoHS declaration
Environmental Disclosure	Product Environmental Profile
Circularity Profile	End of Life Information
WEEE	The product must be disposed on European Union markets following specific waste collection and never end up in rubbish bins

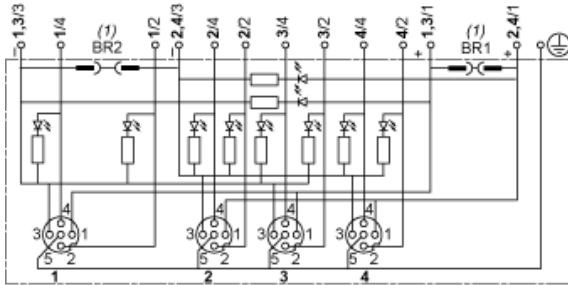
Contractual warranty

Warranty	18 months
----------	-----------

Dimensions with ABE9XCA14 Connector



Wiring Diagram



(1) BR1 and BR2: removable link

Item	Terminal	Wire
1/4	1	White
1/2	9	Grey/pink
2/4	2	Green
2/2	10	Red/blue
3/4	3	Yellow
3/2	11	White/green
4/4	4	Grey
4/2	12	Brown/green
1 and 3/1	+1	Brown 1
2 and 4/1	+2	Brown 2
1 and 3/3	-1	Blue 1
2 and 4/3	-2	Blue 2
1...4/5	PE	Green/yellow

Connection Terminals

