

# Product datasheet

Specifications



## voltage transformer - 230..400 V - 1 x 115 V - 2500 VA

Local distributor code: 389706423 ABL6TS250G

### Main

Range of product	Modicon Transformer Optimized
Product or component type	Safety and isolation transformer
Rated power in VA	2500 VA
Input voltage	230 V AC single phase, terminal(s): N-L1 400 V AC phase to phase, terminal(s): L1-L2
Output voltage	115 V AC
Secondary winding	Single
Protective cover	Without
Ambient air temperature for operation	-20...50 °C

### Complementary

Input voltage limits	360...440 V 207...253 V
Network frequency limits	47...63 Hz
Input voltage tolerance	+/- 15 V
Efficiency	96 %
Power dissipation in W	104.2 W
Output sustained overvoltage	3 % (no load, hot state)
Maximum voltage drop at rated load	0.3 %
No load losses	23.4 W
Short-circuit voltage	0,0261
Output protection type	Against overload, protection technology: external Against overvoltage, protection technology: external Against short-circuits, protection technology: external
Connections - terminals	For output connection: screw type terminals, connection capacity: 2 x 10 mm <sup>2</sup> AWG 6 For input connection: screw type terminals, connection capacity: 8 x 4 mm <sup>2</sup> AWG 11 For input ground connection: screw type terminals, connection capacity: 1 x 10 mm <sup>2</sup> AWG 6
Marking	CE
Fixing mode	By 4 screws diameter: 10 mm on vertical panel, operating position: horizontal By 4 screws diameter: 10 mm on vertical panel, operating position: vertical By 4 screws diameter: 10 mm on horizontal panel with derating to 90 %
Operating altitude	3000 m

<b>Electrical insulation class</b>	Class B
<b>Width</b>	196.0 mm
<b>Height</b>	147.0 mm
<b>Depth</b>	322.0 mm
<b>Net weight</b>	27.0 kg

## Environment

<b>Product certifications</b>	EAC UR DNV-GL
<b>Standards</b>	UL 506
<b>IP degree of protection</b>	IP20
<b>Environmental characteristic</b>	EMC conforming to EN 62041 Safety conforming to EN 61558-1 Safety conforming to EN 61558-2-4
<b>Protective treatment</b>	TC
<b>Ambient air temperature for storage</b>	-40...80 °C
<b>Overvoltage category</b>	Class I conforming to VDE 0106-1
<b>Dielectric strength</b>	2000 V between winding and ground 4000 V between primary and secondary

## Packing Units

<b>Unit Type of Package 1</b>	PCE
<b>Number of Units in Package 1</b>	1
<b>Package 1 Weight</b>	30.5 kg
<b>Package 1 Height</b>	40 cm
<b>Package 1 width</b>	40 cm
<b>Package 1 Length</b>	60 cm
<b>Unit Type of Package 2</b>	S06
<b>Number of Units in Package 2</b>	1
<b>Package 2 Weight</b>	43.5 kg
<b>Package 2 Height</b>	73.5 cm
<b>Package 2 width</b>	60 cm
<b>Package 2 Length</b>	80 cm

## Offer Sustainability

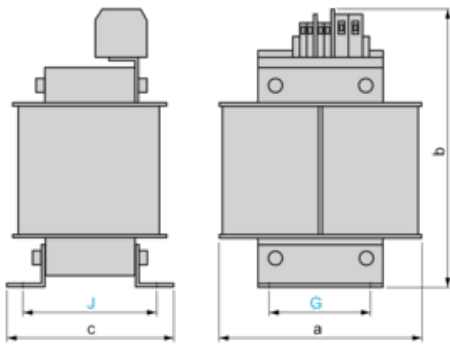
<b>Sustainable offer status</b>	Green Premium product
<b>REACH Regulation</b>	<a href="#">REACH Declaration</a>
<b>EU RoHS Directive</b>	Pro-active compliance (Product out of EU RoHS legal scope) <a href="#">EU RoHS Declaration</a>
<b>Mercury free</b>	Yes
<b>RoHS exemption information</b>	<a href="#">Yes</a>
<b>China RoHS Regulation</b>	<a href="#">China RoHS declaration</a>
<b>Environmental Disclosure</b>	<a href="#">Product Environmental Profile</a>
<b>PVC free</b>	Yes

# Contractual warranty

Warranty

18 months

**Dimensions**



Dimensions in mm

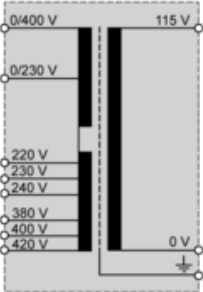
a	b	c	G	J	Ø
198	335	145	125	117	10

Dimensions in in.

a	b	c	G	J	Ø
7.79	13.19	5.71	4.92	4.61	0.39

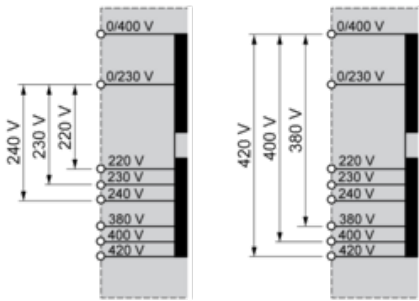
**Internal Scheme**

---



## Primary Voltage Wiring

---



**Secondary Voltage Wiring**

---

