



Main

Range of product	Phaseo
Product or component type	Buffer module
Input voltage	24...28.8 V DC
Output voltage	(U _{in} -0.25) V in nominal mode DC (U _{in} -1) V in buffer mode DC
Maximum output current	40 A
Holding time	0.1 s at 40 A 6 s at 0.5 A

Complementary

Input voltage limits	22...30 V
Maximum power dissipation in W	15 W
Activation threshold	(U _{in} -1) V and 22 V min
Charging time	25 s
Number of output channels	1
Current consumption	0.6 A on load 0.1 mA no load <= 40.6 A
Output protection type	Against overload, protection technology: > 45 A Against short-circuits, protection technology: power-supplied mode, automatic reset Against undervoltage, protection technology: tripping if U < 19 V
Connections - terminals	For input connection: screw type terminals, connection capacity: 2 x 0.5...2 x 10 mm ² AWG 20...AWG 8 For output connection: screw type terminals, connection capacity: 2 x 0.5...2 x 10 mm ² AWG 20...AWG 8 For diagnostic relay: removable screw terminal block, connection capacity: 1 x 2.5 mm ² AWG 14
Fixing mode	By clips on 35 mm symmetrical DIN rail, operating position: horizontal By clips on 35 mm symmetrical DIN rail, operating position: vertical
Output coupling	Parallel
Operating altitude	2000 m
Marking	CE
Name of test	Electrostatic discharges conforming to EN/IEC 61000-4-2 Emission conforming to EN 61000-6-3 Induced electromagnetic field conforming to EN/IEC 61000-4-6 level 3

Radiated electromagnetic field conforming to EN/IEC 61000-4-3 level 3
 Rapid transient conforming to IEC 61000-4-4 level 3
 Surge conforming to EN/IEC 61000-4-5 level 2
 Conducted/radiated emissions conforming to EN 55022 class B, 20 %

Local signalling	1 LED (green) for buffer ready 1 relay for buffer ready
Product weight	1.2 kg

Environment

Product certifications	RCM EAC
Standards	UL 508 CSA C22.2 No 60950-1
Ambient air temperature for operation	-25...60 °C
Ambient air temperature for storage	-40...85 °C
Environmental characteristic	EMC conforming to EN 61000-6-3 EMC conforming to EN/IEC 61000-6-2 Safety conforming to EN/IEC 60950-1 Safety conforming to EN/IEC 61204-3
IP degree of protection	IP20 conforming to EN/IEC 60529
Dielectric strength	500 V between input and ground 500 V between output and ground
Overvoltage category	Class II conforming to VDE 0106-1
Relative humidity	0...90 % during operation 0...95 % during storage
MTBF reliability	1119603 H at 24 V DC with UTE C80-810 calculation method
Vibration resistance	2 gn (f= 11.9...150 Hz) conforming to EN/IEC 61131-2 3.5 mm (f= 3...11.9 Hz) conforming to EN/IEC 61131-2

Packing Units

Unit Type of Package 1	PCE
Number of Units in Package 1	1
Package 1 Weight	1.401 kg
Package 1 Height	11.5 cm
Package 1 width	17 cm
Package 1 Length	18.2 cm
Unit Type of Package 2	P06
Number of Units in Package 2	60
Package 2 Weight	97.06 kg
Package 2 Height	80 cm
Package 2 width	80 cm
Package 2 Length	60 cm

Offer Sustainability

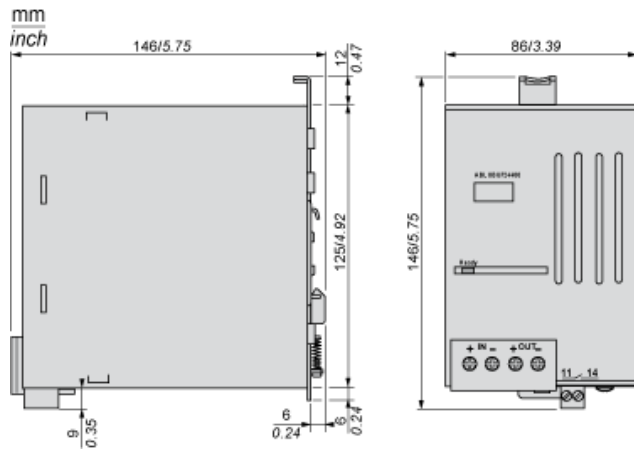
REACH Regulation	REACH Declaration
EU RoHS Directive	Pro-active compliance (Product out of EU RoHS legal scope) EU RoHS Declaration
Mercury free	Yes
RoHS exemption information	Yes
China RoHS Regulation	China RoHS declaration
PVC free	Yes

Contractual warranty

Warranty	18 months
----------	-----------

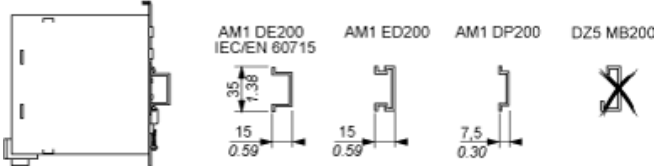
24...28.8 Vdc/40 A Power Supply Buffer Module

Dimensions





24...28.8 Vdc/40 A Power Supply Buffer Module

Mounting



Wiring Requirements

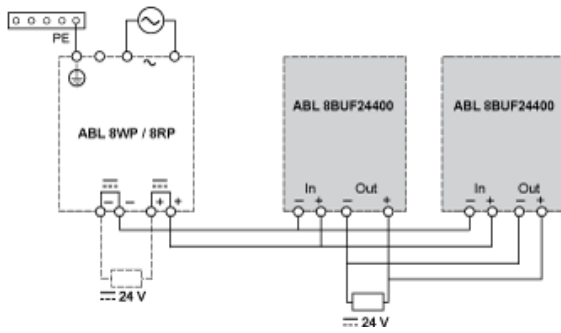
Cable Types and Wire Sizes

		ABL	8RPS24030	8RPS24050 8RPS24100	8RPM24200 8WPS24200/24400
+ In -	mm ² /AWG		1...4 / 16...12		
+ Out -	mm ² /AWG		1...4 / 16...12	4...10 / 12...6	
	mm/In		4 / 0.16		
11...14	mm ² /AWG	-	0,2...2,5 / 24...14		

Paralleling Power Supply Buffer Modules

Wiring Diagram

Two outputs of buffer modules at maximum can be connected in parallel.



Supply by R/C (NMTR2, NMTR8), (E164867), Model ABL8 series.