

# Product data sheet

Specifications



## Square D - PowerLogic 3090 SCCT - split core CT - 600/5 A - size 3 - 5 VA

3090SCCT063

**Product availability : Stock - Normally stocked in distribution facility**

**Price\* : 285.76 USD**

### Main

Range	PowerLogic
Product or Component Type	Current transformer
Accessory / separate part category	Measurement accessory

### Complementary

Range compatibility	PowerLogic (PowerLogic PM3000) power meter PowerLogic (PowerLogic PM5000) power meter PowerLogic (PowerLogic PM8000) power meter PowerLogic (PowerLogic ION7400) power meter PowerLogic CM4000T circuit monitor Acti 9 (Acti 9 iEM3000) energy meter
Current transformer type	Split core
Primary operational current	600 A
Secondary current	5 A
Network type	AC
Network Frequency	50/60 Hz
Current transformer ratio	600/5
Burden	5 VA
Electrical connection	5.91 ft (1.8 m) AWG 18 flying leads
Insulation	Basic insulation 600 V AC Reinforced insulation 300 V AC
Measurement accuracy	1 % full scale
Mounting Location	Indoor use only
Width	Internal 2.44 in (62 mm) External 5.91 in (150 mm)
Depth	1.14 in (29 mm)
Height	Internal 2.87 in (73 mm) External 5.55 in (141 mm)

### Environment

Relative humidity	0...95 % non-condensing
Installation category	III

\* Price is "List Price" and may be subject to a trade discount – check with your local distributor or retailer for actual price.

Pollution degree	2
Ambient air temperature for operation	5...140 °F (-15...60 °C)
Ambient Air Temperature for Storage	-40...158 °F (-40...70 °C)
Operating altitude	<= 9842.52 ft (3000 m)
Standards	UL 1015 IEC 61010-1 UL 61010-1

## Ordering and shipping details

Category	09661-POWERLOGIC BASIC CTS
Discount Schedule	PL1
GTIN	785901000471
Returnability	No
Country of origin	US

## Packing Units

Unit Type of Package 1	PCE
Number of Units in Package 1	1
Package 1 Height	0.98 in (2.5 cm)
Package 1 Width	5.24 in (13.3 cm)
Package 1 Length	5.87 in (14.9 cm)
Package 1 Weight	19.24 oz (545.45 g)

## Offer Sustainability

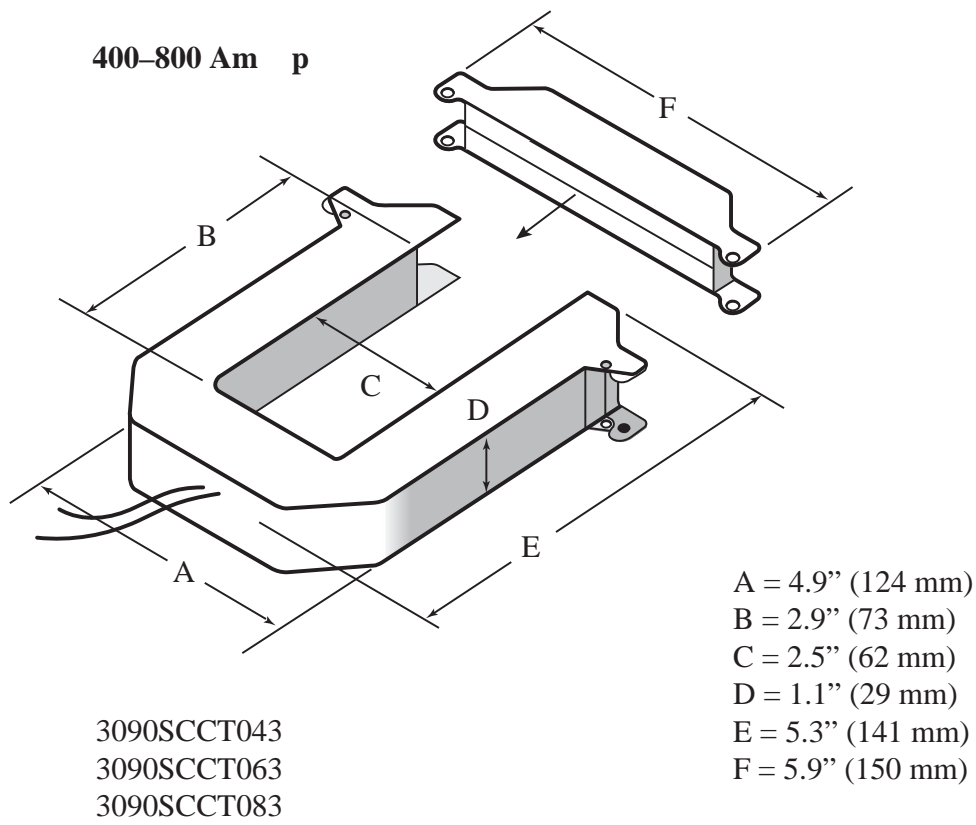
California proposition 65	WARNING: This product can expose you to chemicals including: Lead and lead compounds, which is known to the State of California to cause cancer and birth defects or other reproductive harm. For more information go to <a href="http://www.P65Warnings.ca.gov">www.P65Warnings.ca.gov</a>
REACH Regulation	<a href="#">REACH Declaration</a>
REACH free of SVHC	Yes
EU RoHS Directive	Compliant <a href="#">EU RoHS Declaration</a>
Toxic heavy metal free	Yes
Mercury free	Yes
RoHS exemption information	<a href="#">Yes</a>
China RoHS Regulation	<a href="#">China RoHS declaration</a>

## Contractual warranty

Warranty	18 months
----------	-----------

**Dimensions**

---



ALL DIMENSIONS ARE APPROXIMATE.  
REFER TO TECHNICAL DRAWINGS AND DOCUMENTATION

**Recommended replacement(s)**