

Product data sheet

Specifications

SQUARE D



Contactor, Definite Purpose, 30A,
3 pole, 20 HP at 575VAC, 3 phase,
24VAC coil at 50/60Hz, open

8910DPA33V14

Product availability : Stock - Normally stocked in distribution facility

Price* : 96.63 USD

Main

Product or Component Type	Definite Purpose Contactor
Line Rated Current	30 A
Number of Poles	3P
Pole contact composition	3 NO
Range of Product	DPA

Complementary

Maximum Horse Power Rating	2 hp 115 V AC, 1 phase 5 hp 230 V AC, 1 phase 10 hp 230 V AC, 3 phase 15 hp 460 V AC, 3 phase 20 hp 575 V AC, 3 phase
Locked rotor rated current	150 A 460 V AC 120 A 575 V AC 180 A 277 V AC
[Ue] rated operational voltage	600 V AC
[Uc] control circuit voltage	24 V AC 50/60 Hz
Phase	3 phase
Electrical Connection	Quick connect terminals Binder head

Environment

Product Certifications	UL Recognized CSA
------------------------	----------------------

Ordering and shipping details

Category	21343-8910 DPA 3_(30 AMP)
Discount Schedule	CP1B
GTIN	785901073543
Returnability	Yes
Country of origin	CN

Packing Units

Unit Type of Package 1	Db
------------------------	----

* Price is "List Price" and may be subject to a trade discount – check with your local distributor or retailer for actual price.

Number of Units in Package 1	1
Package 1 Height	3.20 in (8.128 cm)
Package 1 Width	4.10 in (10.414 cm)
Package 1 Length	2.60 in (6.604 cm)
Package 1 Weight	16.16 oz (458.128 g)
Unit Type of Package 2	CAR
Number of Units in Package 2	8
Package 2 Height	7.20 in (18.288 cm)
Package 2 Width	5.70 in (14.478 cm)
Package 2 Length	8.60 in (21.844 cm)
Package 2 Weight	8.24 lb(US) (3.738 kg)

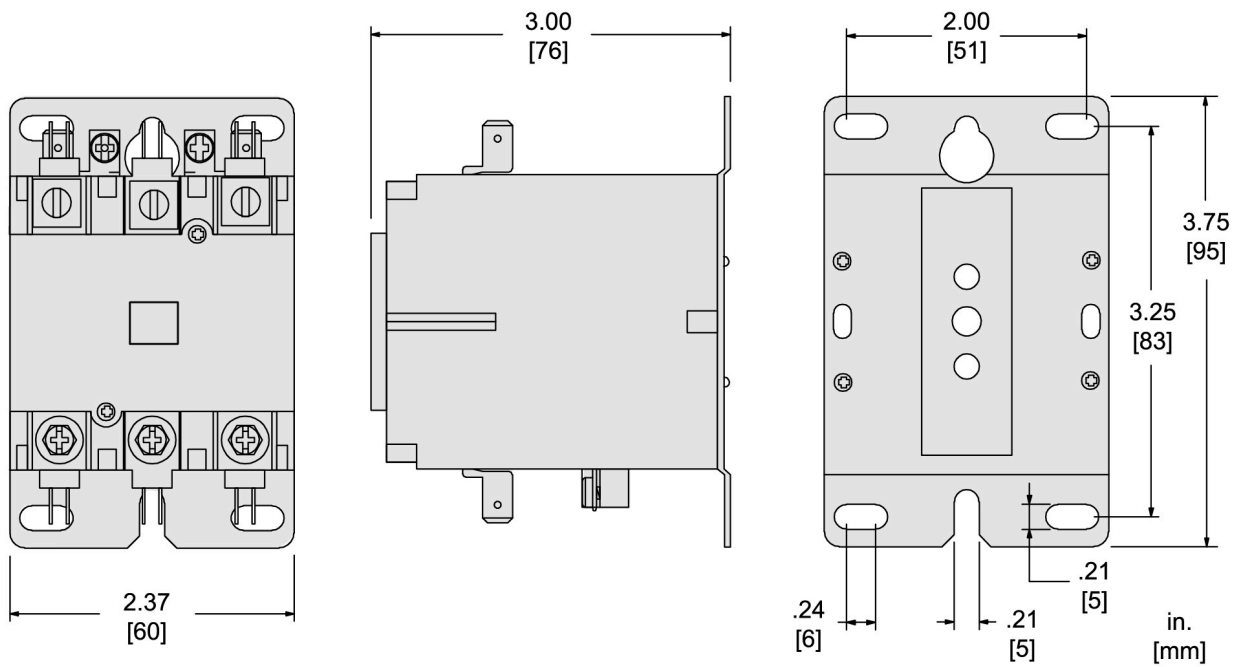
Offer Sustainability

REACH Regulation	REACH Declaration
EU RoHS Directive	Compliant EU RoHS Declaration
Mercury free	Yes
China RoHS Regulation	China RoHS declaration Product out of China RoHS scope. Substance declaration for your information.
RoHS exemption information	Yes

Contractual warranty

Warranty	18 months
-----------------	-----------

Dimensions



ALL DIMENSIONS ARE APPROXIMATE.
REFER TO TECHNICAL DRAWINGS AND DOCUMENTATION FOR COMPLETE INFORMATION.

Recommended replacement(s)