

# Product data sheet

Specifications



Emergency stop push button,  
Harmony 9001SK, plastic,  
mushroom 40mm, red, 30mm, 2  
positions, turn to release, 2 C/O

9001SKR16H2

Product availability: Stock - Normally stocked in distribution facility

**Price\*: 198.00 USD**

## Main

Range Of Product	Harmony 9001SK
Product Or Component Type	Emergency stop push-button
Device Short Name	9001SK
Type Of Operator	Turn to release trigger action
Operator Profile	Red mushroom Ø 40 mm, unmarked

## Complementary

Bezel Material	Plastic
Mounting Diameter	1.18 in (30 mm)
Cad Overall Width	1.57 in (40 mm)
Cad Overall Height	1.57 in (40 mm)
Cad Overall Depth	4.57 in (116 mm)
Net Weight	0.31 lb(US) (0.141 kg)
Operating Position	Any position
Shape Of Signaling Unit Head	Round
Operator Position Information	2 positions
Contacts Type And Composition	2 C/O
Mechanical Durability	5000000 cycles
Connections - Terminals	Screw clamp terminals, 1 x 0.22...2 x 1.5 mm <sup>2</sup> IEC 60947-1
Tightening Torque	7.08 lbf.in (0.8 N.m) IEC 60947-1
Shape Of Screw Head	Cross slotted
Contacts Material	Silver alloy contacts
Short-Circuit Protection	10 A cartridge fuse IEC 60947-5-1
[U <sub>i</sub> ] Rated Insulation Voltage	250 V 3)IEC 60947-1
[U <sub>imp</sub> ] Rated Impulse Withstand Voltage	2.5 kV IEC 60947-1
[I <sub>e</sub> ] Rated Operational Current	3 A 240 V, AC-15, A600-Q600 NEMA 0.55 A 125 V, DC-13, A600-Q600 NEMA

Price is "List Price" and may be subject to a trade discount – check with your local distributor or retailer for actual price.

<b>[Icm] Rated Short-Circuit Making Capacity</b>	12 kA 120 V AC-15, 7200 VA 0.1 kA 600 V DC-13 0.27 kA 250 V DC-13 0.55 kA 125 V DC-13
<b>Rated Breaking Capacity</b>	3 kA 240 V AC-15, 720 VA 6 kA 120 V AC-15, 720 VA 1.2 kA 600 V AC-15, 720 VA 1.5 kA 480 V AC-15, 720 VA 0.1 kA 600 V DC-13 0.27 kA 250 V DC-13 0.55 kA 125 V DC-13
<b>Compatibility Code</b>	9001SK
<b>Device Presentation</b>	Complete product
<b>Cap/Operator Or Lens Colour</b>	Red
<b>Operator Profile</b>	Mushroom Ø 40 mm
<b>Type Of Operator</b>	Turn to release
<b>Contacts Type And Composition</b>	2 C/O
<b>Size</b>	30 mm

## Environment

<b>Protective Treatment</b>	TC
<b>Ambient Air Temperature For Storage</b>	-40...158 °F (-40...70 °C)
<b>Ambient Air Temperature For Operation</b>	-13...158 °F (-25...70 °C)
<b>Overvoltage Category</b>	Class II IEC 61140
<b>Ip Degree Of Protection</b>	IP66 IEC 60529
<b>Nema Degree Of Protection</b>	NEMA 1 NEMA 12 NEMA 13 NEMA 2 NEMA 3 NEMA 3R NEMA 4 NEMA 4X
<b>Standards</b>	IEC 60204-1, for emergency stop devices if used with emergency stop legend plate type 9001KN ISO 13850, for emergency stop devices if used with emergency stop legend plate type 9001KN IEC 60947-5-1 IEC 60947-1 IEC 60947-5-4 IEC 60947-5-5 JIS C 4520 JIS C 852 UL 60947-5-5 CSA C22.2 No 14
<b>Product Certifications</b>	NEMA UL 508
<b>Vibration Resistance</b>	7 gn 2...500 Hz)IEC 60068-2-6
<b>Shock Resistance</b>	50 gn IEC 60068-2-27

## Ordering and shipping details

<b>Category</b>	US10CS121426
<b>Discount Schedule</b>	0CS1
<b>Gtin</b>	785901914228
<b>Returnability</b>	Yes

---

Country Of Origin	MX
-------------------	----

## Packing Units

---

Unit Type Of Package 1	PCE
------------------------	-----

---

Number Of Units In Package 1	1
------------------------------	---

---

Package 1 Height	2.40 in (6.096 cm)
------------------	--------------------

---

Package 1 Width	2.00 in (5.08 cm)
-----------------	-------------------

---

Package 1 Length	4.60 in (11.684 cm)
------------------	---------------------

---

Package 1 Weight	4.96 oz (140.614 g)
------------------	---------------------

---

Unit Type Of Package 2	S01
------------------------	-----

---

Number Of Units In Package 2	14
------------------------------	----

---

Package 2 Height	5.91 in (15.0 cm)
------------------	-------------------

---

Package 2 Width	5.91 in (15.0 cm)
-----------------	-------------------

---

Package 2 Length	15.75 in (40.0 cm)
------------------	--------------------

---

Package 2 Weight	4.91 lb(US) (2.227 kg)
------------------	------------------------

## Contractual warranty

---

Warranty	18 months
----------	-----------

## Sustainability

**Green Premium™ label** is Schneider Electric's commitment to delivering products with best-in-class environmental performance. Green Premium promises compliance with the latest regulations, transparency on environmental impacts, as well as circular and low-CO<sub>2</sub> products.

**Guide to assessing product sustainability** is a white paper that clarifies global eco-label standards and how to interpret environmental declarations.

[Learn more about Green Premium >](#)

[Guide to assess a product's sustainability >](#)



Transparency RoHS/REACH

## Well-being performance

Reach Free Of Svhc

Toxic Heavy Metal Free

Mercury Free

Rohs Exemption Information Yes

## Certifications & Standards

**Reach Regulation**

[REACH Declaration](#)

**Eu Rohs Directive**

Pro-active compliance (Product out of EU RoHS legal scope)

[EU RoHS Declaration](#)

**China Rohs Regulation**

[China RoHS declaration](#)

**Environmental Disclosure**

[Product Environmental Profile](#)

**Weee**

The product must be disposed on European Union markets following specific waste collection and never end up in rubbish bins.

**Circularity Profile**

No need of specific recycling operations

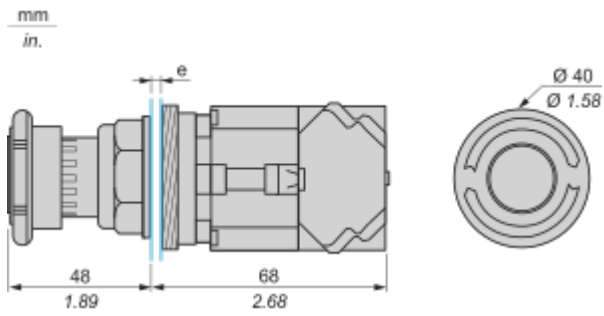
**California Proposition 65**

WARNING: This product can expose you to chemicals including: Lead and lead compounds, which is known to the State of California to cause cancer and birth defects or other reproductive harm. For more information go to [www.P65Warnings.ca.gov](http://www.P65Warnings.ca.gov)

Dimensions Drawings

Dimensions

---



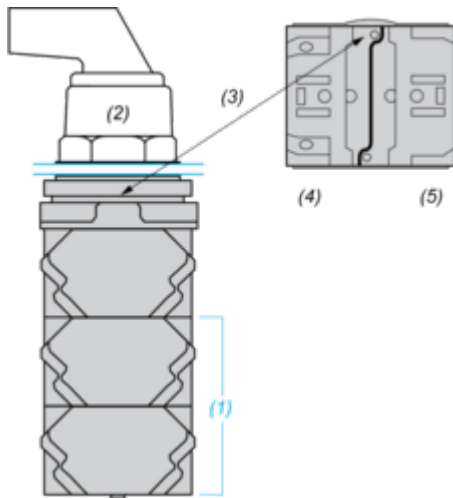
e : panel thickness 1 to 6 mm / 0.04 to 0.24 in.

Mounting and Clearance

Contact Block Mounting Position

---

Top and Rear views



- (1) It is possible to mount up to 3 levels of contacts blocks (maximum of 6 contacts blocks)
- (2) Operator
- (3) Locating notch
- (4) Side 1
- (5) Side 2