

Product data sheet

Specifications



Advanced box, Harmony P6, Intel Core i5-8365UE, 4 cores, 8 threads, for configured products

HMIP65BCTO

Main

Range Of Product	Harmony P6
Product Or Component Type	Modular box PC
Device Short Name	HMP65
Operating System	Windows 10 IoT Enterprise 64 bitmulti-language
Free Slots	2 Internal SATA HDD/SSD with slide-in storage RAID with Intel Rapid Storage Technology 1 M.2 SSD
Video Controller Type	Intel UHD Graphics 620

Complementary

Range Compatibility	iDisplay Harmony P6 Harmony FP6
Accessory / Separate Part Destination	PC panel Harmony P6 Modular Display
Mounting Location	Wall mounting Flat mounting Book mounting Panel
Processor Name	Intel Core i5 8365UE 1.6 GHz turbo boost at 4.1 GHz
Integrated Connection Type	Display port 1 DP bottom DP++ Ethernet 2 RJ45 10 BASE-T/100 BASE-TX/1000 BASE-T 10/100/1000 Mbps bottom IEEE 1588 supported COM1 serial link 1 male SUB-D 9 RS232C 2400...115200 bps bottom USB 2.0 port 2 USB type A 480 Mbit/s bottom USB 3.0 port 2 USB type A 5 Gbit/s bottom USB 3.0 port 1 USB type C 5 Gbit/s bottom TPM (Trusted Platform Module version 2) cyber security - hardware encryption TPM module by default motherboard
Memory Description	8 GB, expandable to 64 GB RAM DDR4 internal 2
Number Of Slots	2 slot(s) for optional interfaceslot-IN
Range Compatibility	FP5000 PS6000 FP6000
Display Resolution	4096 x 2304 pixels at 60 Hz
Watchdog Timer	1...255 ms
Type Of Cooling	Fanless Fan with HDD
Electrical Connection	Terminal block - location: bottom
[Us] Rated Supply Voltage	24 V DC power supply 100...240 V DC power supply

Price is "List Price" and may be subject to a trade discount – check with your local distributor or retailer for actual price.

Supply Voltage Limits	18...31.2 V 85...264 V
Inrush Current	30 A
Power Consumption In W	121 W 140 VA
Cyber Secured Boot	Secure password boot UEFI
Control Type	ON push-button
Local Signalling	Power, green, orange and red 2 LEDs LED)
Width	11.42 in (290 mm)
Height	7.68 in (195 mm)
Depth	2.56 in (65 mm)
Net Weight	7.72 lb(US) (3.5 kg)

Environment

Ip Degree Of Protection	IP20 IEC 61131-2
Nema Degree Of Protection	NEMA 4X/13
Standards	Level 3 EN/IEC 61000-4-2 IEC 61000-4-4 EN/IEC 61131-2 FCC part 15 Class I division 2 UL 61010-2-201

Product Certifications	CE CULus CSA UL 61010-2-201 RCM UKCA DNV (DC model without HDD/fan/ EtherCAT card/22" wide display with expansion slot) ATEX zone 22 dust ATEX zone 2 CULus Class 1 Division 2 (without DIO option) IECEx zone 2 (DC model, front USB cover must be locked with screw) IECEx zone 22 (DC model, front USB cover must be locked with screw)
-------------------------------	---

Ambient Air Temperature For Operation	32...131 °F (0...55 °C) wall mounting without HDD) side EN/IEC 60068-2-2 32...131 °F (0...55 °C) book mounting without HDD) side 32...122 °F (0...50 °C) flat mounting without HDD) top 32...122 °F (0...50 °C) book mounting without HDD) top 32...113 °F (0...45 °C) wall mounting with HDD and fan kit) side 32...113 °F (0...45 °C) book mounting with HDD and fan kit) side 32...113 °F (0...45 °C) flat mounting with HDD and fan kit) top 32...113 °F (0...45 °C) book mounting with HDD and fan kit) top 32...131 °F (0...55 °C) panel without HDD) landscape 32...122 °F (0...50 °C) panel without HDD) portrait 32...113 °F (0...45 °C) panel with HDD and fan kit) landscape 32...113 °F (0...45 °C) panel with HDD and fan kit) portrait
--	---

Ambient Air Temperature For Storage	-22...158 °F (-30...70 °C)
Pollution Degree	2
Relative Humidity	10...90 % non-condensing
Operating Altitude	6561.68 ft (2000 m)
Vibration Resistance	9.8 m/s ² 9...150 Hz) M.2 SSD IEC 61131-2 9.8 m/s ² 9...150 Hz) SSD IEC 61131-2 4.9 m/s ² 9...150 Hz) HDD IEC 61131-2
Shock Resistance	147 m/s ² X, Y, Z directions for 3 times IEC 61131-2
Quality Labels	CE

Directives	2014/35/EU - low voltage directive 2014/30/EU - electromagnetic compatibility
Main Type	Advanced
Number Of Slots Available For Expansion	2 optional interface 1 M.2 SSD 2 2.5 inch HDD/SSD 2 PCI express 4x (optional) 2 PCI (optional)

Ordering and shipping details

Gtin	3606481977328
-------------	---------------

Packing Units

Unit Type Of Package 1	PCE
Number Of Units In Package 1	1
Package 1 Height	6.10 in (15.5 cm)
Package 1 Width	11.02 in (28.0 cm)
Package 1 Length	15.35 in (39.0 cm)
Package 1 Weight	9.92 lb(US) (4.5 kg)

Sustainability

Green Premium™ label is Schneider Electric's commitment to delivering products with best-in-class environmental performance. Green Premium promises compliance with the latest regulations, transparency on environmental impacts, as well as circular and low-CO₂ products.

Guide to assessing product sustainability is a white paper that clarifies global eco-label standards and how to interpret environmental declarations.


[Learn more about Green Premium >](#)

[Guide to assess a product's sustainability >](#)



Transparency RoHS/REACH

Well-being performance

 Rohs Exemption Information [Yes](#)

Certifications & Standards

Reach Regulation

[REACH Declaration](#)

Eu Rohs Directive

Pro-active compliance (Product out of EU RoHS legal scope)

China Rohs Regulation

[China RoHS declaration](#)

Environmental Disclosure

[Product Environmental Profile](#)

Circularity Profile

[End of Life Information](#)

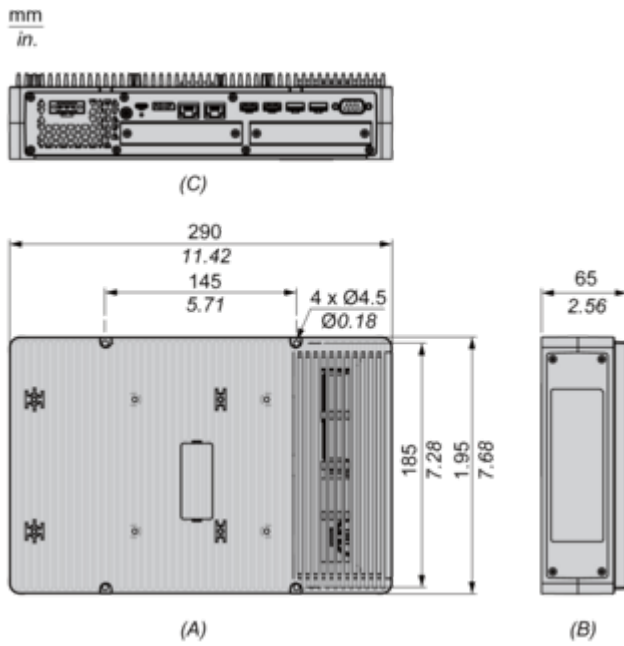
California Proposition 65

WARNING: This product can expose you to chemicals including: Lead and lead compounds, which is known to the State of California to cause cancer and birth defects or other reproductive harm. For more information go to www.P65Warnings.ca.gov

Dimensions Drawings

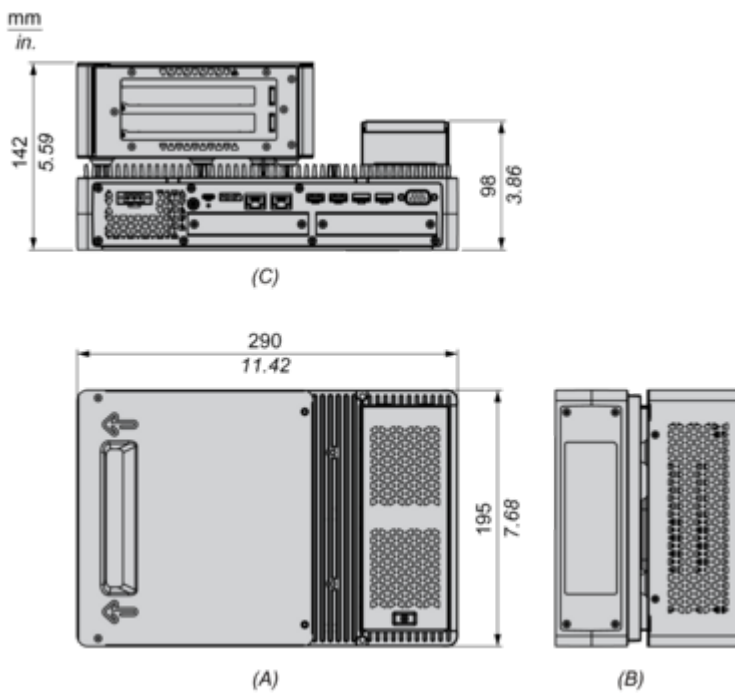
Dimensions

External Dimensions



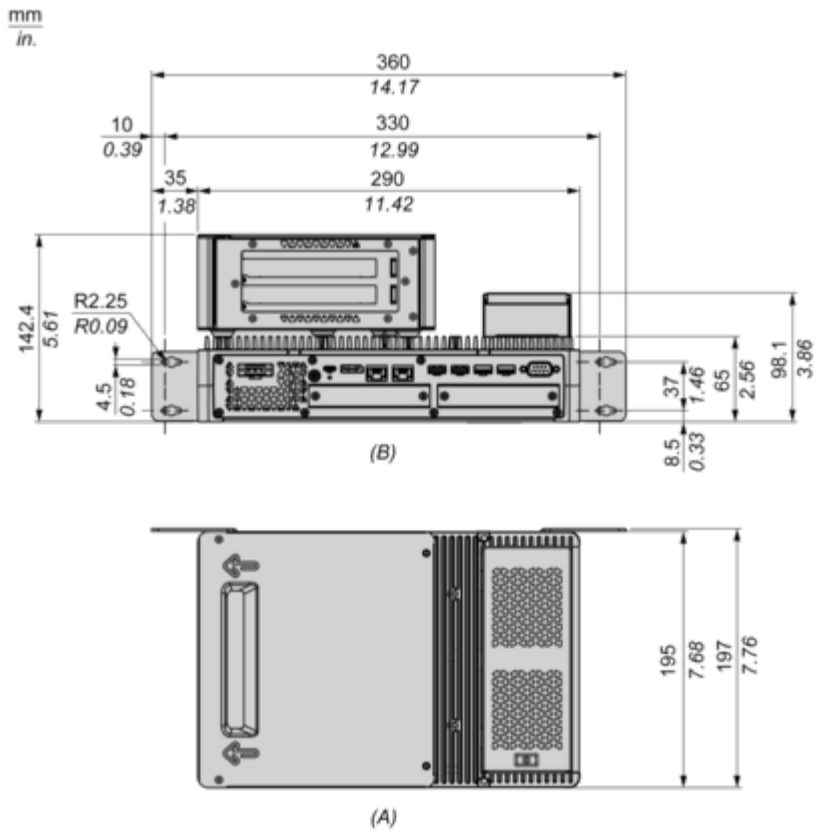
- (A) : Front
- (B) : Left
- (C) : Bottom

External Dimensions with PCI/PCIe Slots and FAN kit



- (A) : Front
- (B) : Left
- (C) : Bottom

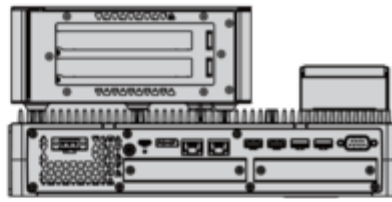
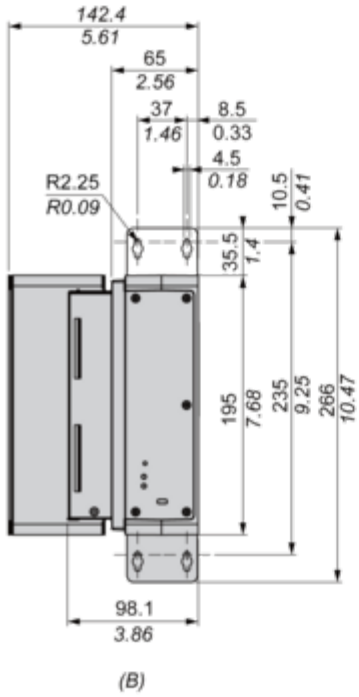
Dimensions with Book Mount Adapter (Top)



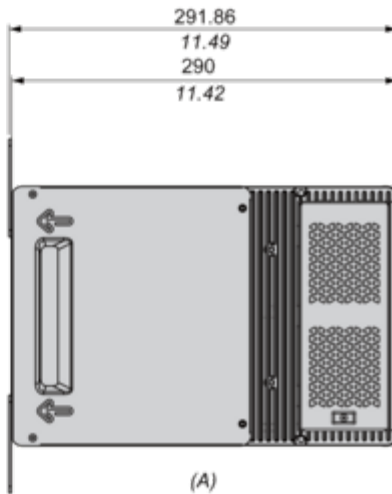
(A) : Front
 (B) : Bottom

Dimensions with Book Mount Adapter (Side)

mm
in.



(C)



(A)

- (A) : Front
- (B) : Right
- (C) : Bottom