

# Product data sheet

Specifications



touch panel screen, Harmony ST6,  
10inch wide display, 2COM,  
2Ethernet, USB host and device,  
24V DC

HMIST6500

Product availability: Stock - Normally stocked in distribution facility

Price\*: 1,275.00 USD

## Main

Range Of Product	Harmony ST6
Product Or Component Type	Touch panel screen
Processor Name	ARM Cortex-A8

## Complementary

Display Size	10 inch
Display Type	Colour TFT LCD
Display Colour	16 million colours
Display Resolution	1024 x 600 pixels WSVGA
Touch Panel	Single touch analogue resistive
Backlight Lifespan	50000 hours white
Brightness	16 levels
Character Font	ASCII ASCII (European characters) Chinese (simplified Chinese) Japanese (ANK, Kanji) Katakana Korean Taiwanese (traditional Chinese)
[Us] Rated Supply Voltage	24 V DC +/- 20 %)
Inrush Current	30 A
Local Signalling	Status LED green, steady offline Status LED green, steady operating Status LED green, flashing operating Status LED green, faded stand-by Status LED orange, flashing software starting up Status LED red, steady power supply (ON) Status LED red, flashing operating Status LED red, off power supply (OFF)
Power Consumption In W	12.6 W
Number Of Pages	200 application pages
Software Package	EcoStruxure Operator Terminal Expert
Processor Frequency	800 MHz
Port Ethernet	10/100BASE

Price is "List Price" and may be subject to a trade discount – check with your local distributor or retailer for actual price.

<b>Memory Description</b>	1 GB device memory 512 KB backup memory 128 MB user data memory
<b>Integrated Connection Type</b>	1 COM1 serial link - 1 SUB-D 9-pin female - RS232C 2400...115200 bps)bottom 1 COM2 serial link - female RJ45 - RS485 2400...115200 bps)back COM2 serial link 2400...187500 bps)back 1 USB 2.0 type A bottom 1 USB 2.0 type micro B 2 Ethernet
<b>Supply</b>	External supply
<b>Realtime Clock</b>	Built-in 0...50 °C Built-in 10...90 % RH
<b>Downloadable Protocols</b>	Modbus Uni-TE Third party protocols
<b>Product Brand</b>	Schneider Electric Modicon Mitsubishi Melsec Omron Sysmac Rockwell Automation Allen-Bradley Siemens Simatic
<b>Fixing Mode</b>	By 4 screws 1.6...5 mm thick panel UL 61010-2-201 By 4 screws IEC 61131-2 By 4 screws IEC 61000-6-2
<b>Enclosure Material</b>	PC
<b>Front Material</b>	Aluminium
<b>Marking</b>	CE
<b>Cut-Out Dimensions</b>	255 x 185 mm panel cut dimension
<b>Height</b>	7.99 in (203 mm)
<b>Width</b>	10.75 in (273 mm)
<b>Depth</b>	1.85 in (47 mm)
<b>Net Weight</b>	2.87 lb(US) (1.3 kg)

## Environment

<b>Immunity To Microbreaks</b>	10 ms
<b>Standards</b>	IEC 61000-6-4 IEC 61000-6-2 IEC 61131-2 UL 61010-2-201 CSA C22.2 No 61010-2-201
<b>Product Certifications</b>	CSA CE UKCA
<b>Directives</b>	2014/35/EU - low voltage directive 2014/30/EU - electromagnetic compatibility
<b>Ambient Air Temperature For Operation</b>	32...122 °F (0...50 °C)
<b>Ambient Air Temperature For Storage</b>	-4...140 °F (-20...60 °C)
<b>Relative Humidity</b>	10...90 % non-condensing
<b>Operating Altitude</b>	6561.68 ft (2000 m)
<b>Ip Degree Of Protection</b>	IP20 IEC 61131-2 rear panel) IP65 IEC 61131-2 front panel)
<b>Nema Degree Of Protection</b>	NEMA 4 front panel (indoor use) NEMA 13 front panel (in enclosure)
<b>Shock Resistance</b>	147 m/s <sup>2</sup> 11 ms X, Y, Z directions for 3 times)IEC 61131-2

<b>Vibration Resistance</b>	+/- 3.5 mm 5...9 Hz) X, Y, Z directions for 10 cycles (approx. 100 min) IEC 61131-2 9.8 m/s² 9...150 Hz)
<b>Electromagnetic Compatibility</b>	Electrical fast transient/burst immunity test - test level: 2 kV (power ports) conforming to IEC 61000-4-4 Electrical fast transient/burst immunity test - test level: 1 kV (signal ports) Electrostatic discharge immunity test - test level: 6 kV (contact discharge) conforming to IEC 61000-4-2 level 3 Electrostatic discharge immunity test - test level: 8 kV (air discharge)

## Ordering and shipping details

<b>Category</b>	US10MC222565
<b>Discount Schedule</b>	0MC2
<b>Gtin</b>	3606489523398
<b>Returnability</b>	Yes
<b>Country Of Origin</b>	SG

## Packing Units

<b>Unit Type Of Package 1</b>	PCE
<b>Number Of Units In Package 1</b>	1
<b>Package 1 Height</b>	4.92 in (12.500 cm)
<b>Package 1 Width</b>	11.02 in (28.000 cm)
<b>Package 1 Length</b>	13.58 in (34.500 cm)
<b>Package 1 Weight</b>	4.02 lb(US) (1.825 kg)
<b>Unit Type Of Package 2</b>	S04
<b>Number Of Units In Package 2</b>	4
<b>Package 2 Height</b>	11.81 in (30.000 cm)
<b>Package 2 Width</b>	15.75 in (40.000 cm)
<b>Package 2 Length</b>	23.62 in (60.000 cm)
<b>Package 2 Weight</b>	18.30 lb(US) (8.300 kg)

## Sustainability

**Green Premium™ label** is Schneider Electric's commitment to delivering products with best-in-class environmental performance. Green Premium promises compliance with the latest regulations, transparency on environmental impacts, as well as circular and low-CO<sub>2</sub> products.

**Guide to assessing product sustainability** is a white paper that clarifies global eco-label standards and how to interpret environmental declarations.


[Learn more about Green Premium >](#)

[Guide to assess a product's sustainability >](#)



Transparency RoHS/REACH

## Well-being performance

 **Rohs Exemption Information** Yes

## Certifications & Standards

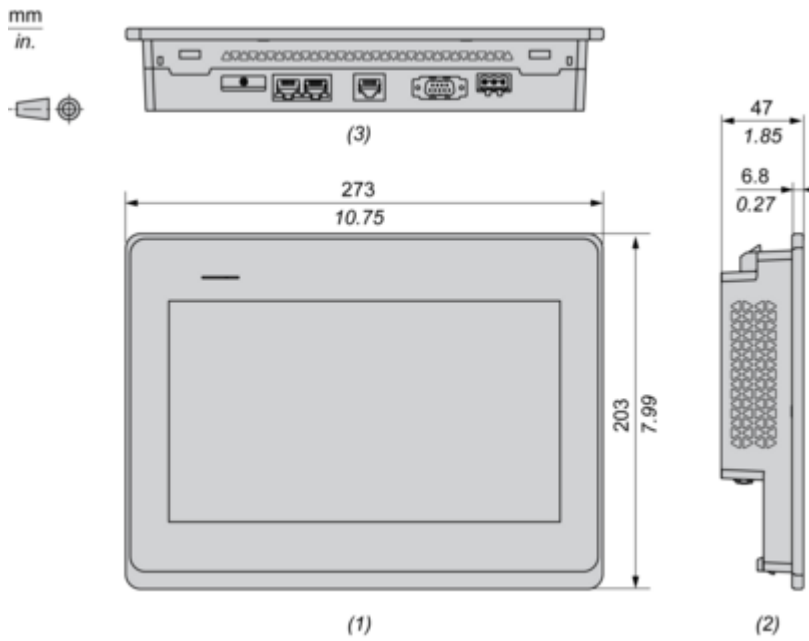
<b>Reach Regulation</b>	<a href="#">REACH Declaration</a>
<b>Eu Rohs Directive</b>	Pro-active compliance (Product out of EU RoHS legal scope)
<b>China Rohs Regulation</b>	<a href="#">China RoHS declaration</a>
<b>Environmental Disclosure</b>	<a href="#">Product Environmental Profile</a>
<b>Weee</b>	The product must be disposed on European Union markets following specific waste collection and never end up in rubbish bins.
<b>California Proposition 65</b>	WARNING: This product can expose you to chemicals including: Lead and lead compounds, which is known to the State of California to cause cancer and birth defects or other reproductive harm. For more information go to <a href="http://www.P65Warnings.ca.gov">www.P65Warnings.ca.gov</a>

Dimensions Drawings

Dimensions

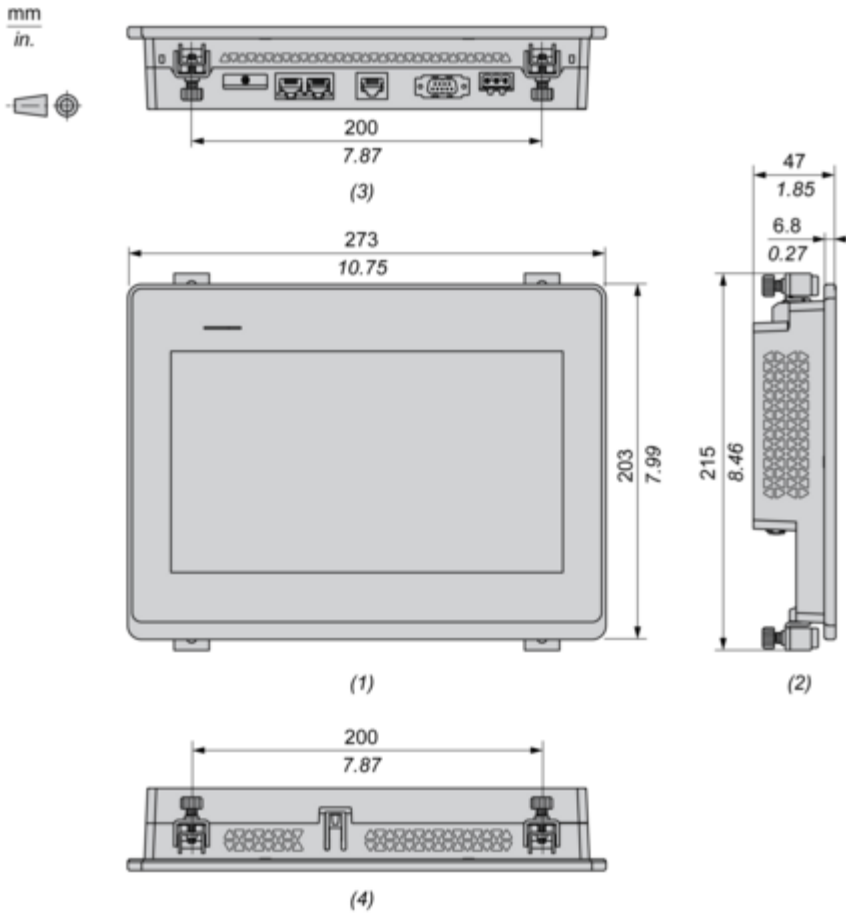
---

External Dimensions



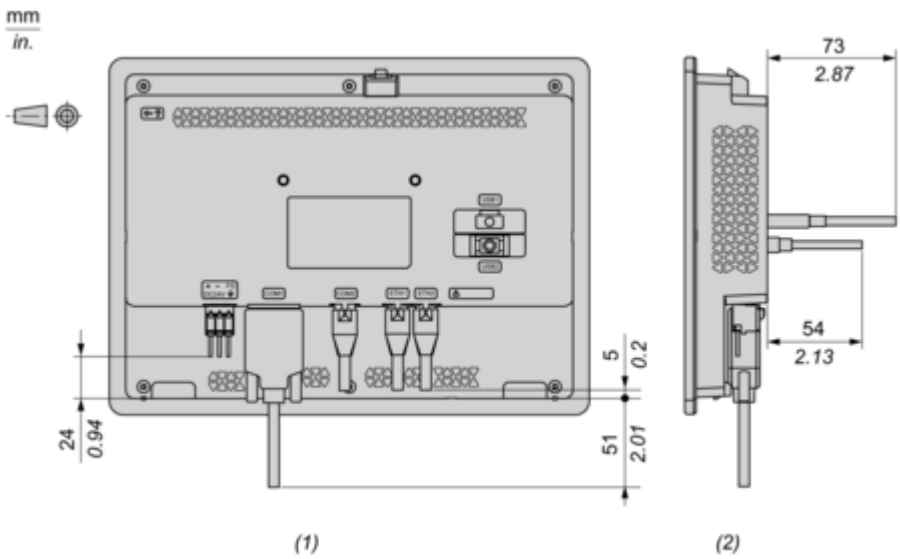
- (1) : Front
- (2) : Left
- (3) : Bottom

Dimensions with Installation Fasteners



- (1) : Front
- (2) : Left
- (3) : Bottom
- (4) : Top

Dimensions with Cables



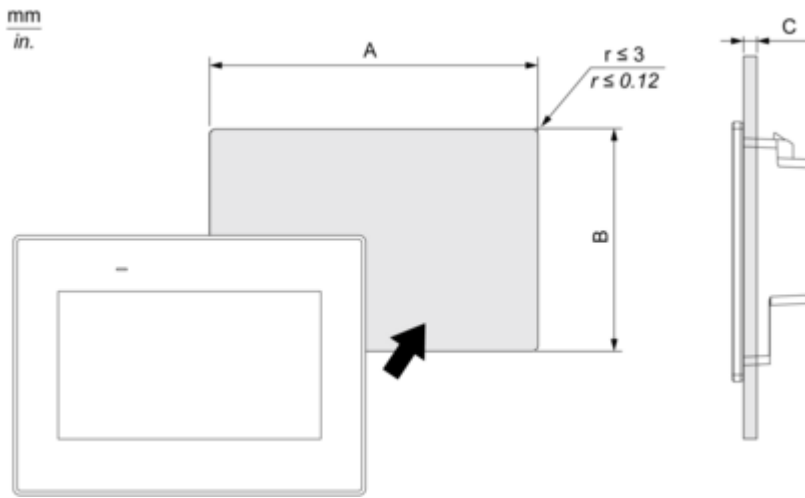
- (1) : Rear
- (2) : Right

Mounting and Clearance

Mounting

---

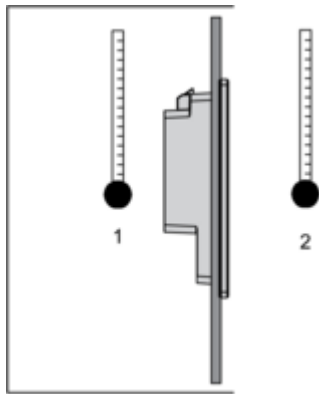
Panel Cut Dimensions



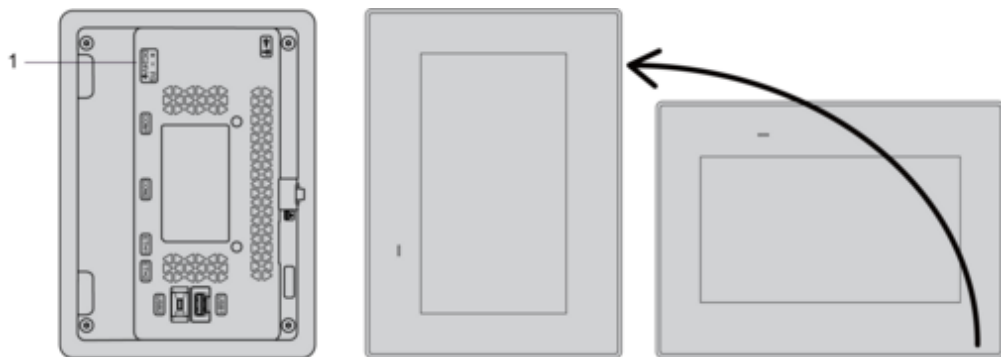
A		B		C	
mm	in.	mm	in.	mm	in.
255 (+1, -0)	10.04 (+0.04, -0)	185 (+1, -0)	7.28 (+0.04, -0)	1.6...5	0.06...0.2

Installation Requirements

---

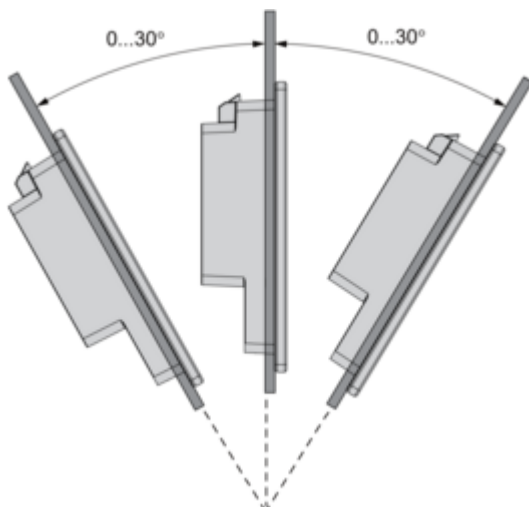


- 1 : Internal temperature
- 2 : External temperature



- 1 : Power connector

Mounting Angle



Clearance



mm  
in.

