

Product data sheet

Specifications

SQUARE D



Meter mains, Homeline, combination service entrance, ringless socket, 200A, surface mount, maximum 12 spaces, no bypass

RC12L200C

Product availability : Stock - Normally stocked in distribution facility

Price* : 1,419.00 USD

Main

| | |
|---------------------------|-------------|
| Product or Component Type | Meter Mains |
| Range of Product | Homeline |

Complementary

| | |
|---------------------------|---|
| Line Rated Current | 200 A |
| Short-circuit current | 10 kA |
| Network number of phases | 1 |
| Meter socket type | Ringless |
| Mounting | Surface |
| Number of spaces | 12 |
| Number of circuits | 0 |
| Number of Tandem Breakers | 0 |
| Hub type | A |
| Electrical connection | Lugs line side Lugs service ground |
| Wire Size | AWG 6...350 kcmil aluminium/copper)line side AWG 12...AWG 2/0 aluminium/copper)service ground |
| Tightening torque | Main lugs 250 lb.in, AWG 6...350 kcmil, aluminium/copper Lugs 250 lb.in, AWG 4...300 kcmil, aluminium/copper Service ground 50 lb.in, AWG 14...AWG 2/0, copper Service ground 50 lb.in, AWG 12...AWG 2/0, aluminium Branch lugs 35 lb.in, AWG 6...AWG 4, aluminium/copper Branch lugs 25 lb.in, AWG 8, aluminium/copper Branch lugs 20 lb.in, AWG 14...AWG 10, copper Branch lugs 20 lb.in, AWG 12...AWG 10, aluminium Cover 10 lb.in |
| Disconnect | Service disconnect (ordered separately) |
| Main Breaker Rating | 200 A |
| Service feed location | OH UG |
| Bypass type | No bypass |
| Height | 26.16 in (664.46 mm) |
| Width | 14.89 in (378.21 mm) |

* Price is "List Price" and may be subject to a trade discount – check with your local distributor or retailer for actual price.

| | |
|-------|---------------------|
| Depth | 6.10 in (154.94 mm) |
|-------|---------------------|

Environment

| | |
|------------------------|-----------|
| Product certifications | UL E-6294 |
|------------------------|-----------|

Ordering and shipping details

| | |
|-----------------------|--------------------------|
| Category | 00048 - HOM METER MAINS |
| Discount Schedule | DE3A |
| GTIN | 785901863984 |
| Nbr. of units in pkg. | 1 |
| Package weight(Lbs) | 50.92 lb(US) (23.097 kg) |
| Returnability | Yes |
| Country of origin | MX |

Packing Units

| | |
|------------------------------|----------------------------|
| Unit Type of Package 1 | PCE |
| Package 1 Height | 15.30 in (38.862 cm) |
| Package 1 width | 8.00 in (20.32 cm) |
| Package 1 Length | 33.60 in (85.344 cm) |
| Unit Type of Package 2 | PAL |
| Number of Units in Package 2 | 21 |
| Package 2 Weight | 853.00 lb(US) (386.914 kg) |
| Package 2 Height | 40.00 in (101.6 cm) |
| Package 2 width | 40.00 in (101.6 cm) |
| Package 2 Length | 48.00 in (121.92 cm) |

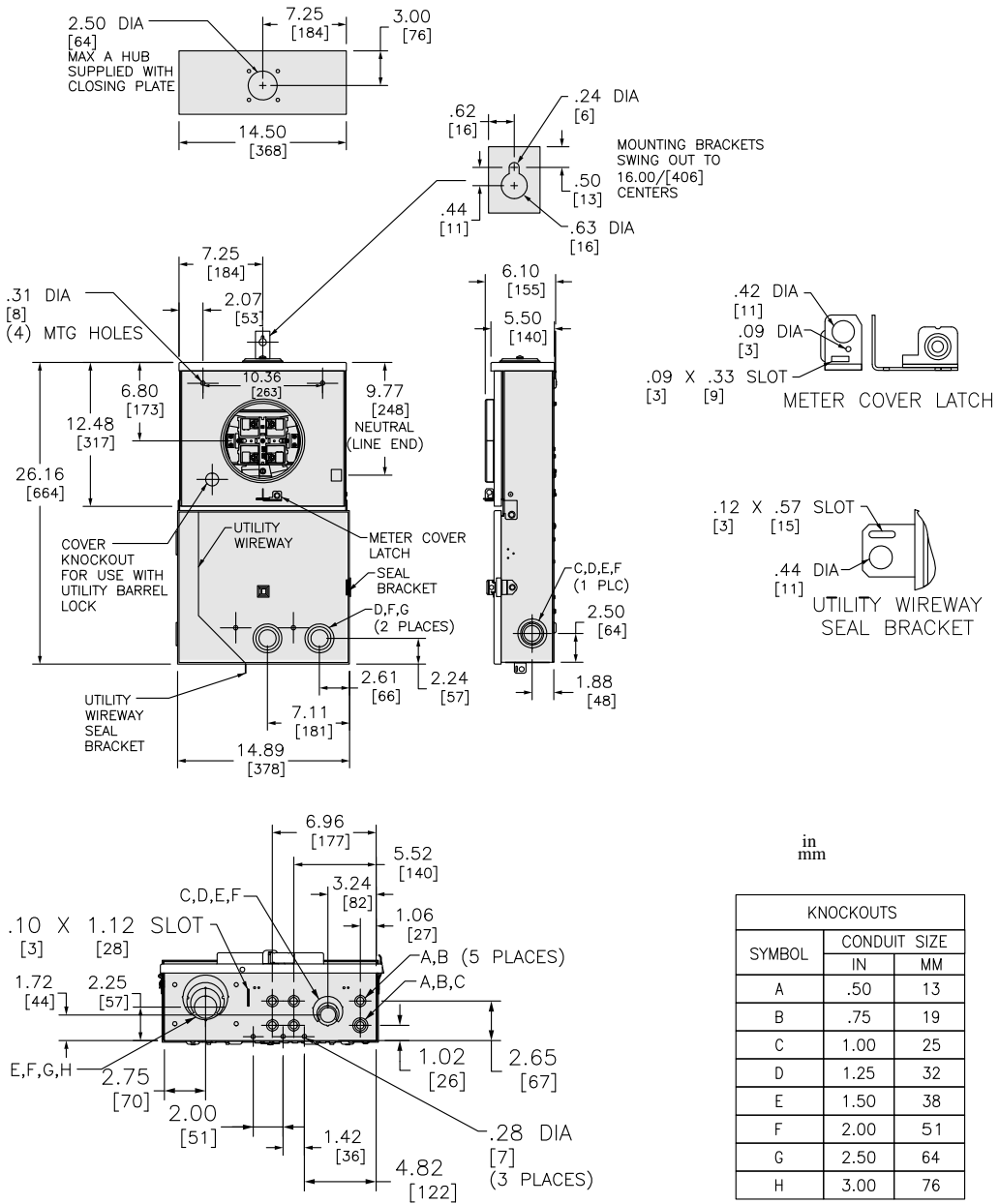
Offer Sustainability

| | |
|----------------------------|---|
| California proposition 65 | WARNING: This product can expose you to chemicals including: Lead and lead compounds, which is known to the State of California to cause cancer and birth defects or other reproductive harm. For more information go to www.P65Warnings.ca.gov |
| REACH Regulation | REACH Declaration |
| REACH free of SVHC | Yes |
| EU RoHS Directive | Compliant EU RoHS Declaration |
| Mercury free | Yes |
| RoHS exemption information | Yes |
| China RoHS Regulation | China RoHS declaration Product out of China RoHS scope. Substance declaration for your information. |

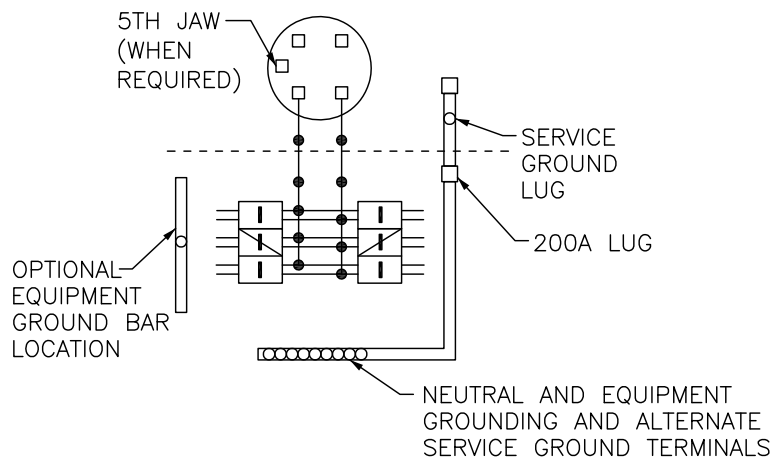
Contractual warranty

| | |
|----------|-----------|
| Warranty | 18 months |
|----------|-----------|

Dimensions



Wiring Diagram



TWO POLE TYPE QO OR QOA (15–100A) MAY PLUG ON TWO ADJACENT SPACES. TWO POLE TYPE QOC (150–200A) MAY PLUG ON FOUR ADJACENT SPACES ON RIGHT SIDE ONLY.

USE 15–100A AND 15–200A BRANCH BREAKERS ONLY.
INSTALL NO MORE THAN SIX CIRCUIT BREAKERS.

TWO POLE TYPE HOM (15–100A) MAY PLUG ON TWO ADJACENT SPACES. TWO POLE TYPE HOMA (150–200A) MAY PLUG ON FOUR ADJACENT SPACES ON RIGHT SIDE ONLY.

USE 15–100A AND 15–200A BRANCH BREAKERS ONLY.
INSTALL NO MORE THAN SIX CIRCUIT BREAKERS

A SQUARE D UL LISTED SECONDARY SURGE ARRESTER MAY PLUG ON TWO ADJACENT SPACES. ORDER CAT. NO. HOM2175SB

A SQUARE D UL LISTED SECONDARY SURGE ARRESTER MAY PLUG ON TWO ADJACENT SPACES. ORDER CAT. NO. QO2175SB