

# Product data sheet

Specifications



Illuminated push button, Harmony XB4, metal, white flush, 22mm, universal LED, plain lens, 1NO + 1NC, 24V AC DC

XB4BW31B5

**Product availability:** Stock - Normally stocked in distribution facility

**Important message:** Viktig information: en förändring i utseendet kan observeras på produkten, men detta påverkar inte dess användning i termer av funktion och säkerhet. Detta gör den kompatibel med våra Universal LED-block

**Price\*:** 119.00 USD

## Main

Range Of Product	Harmony XB4
Product Or Component Type	Illuminated push-button
Device Short Name	XB4
Bezel Material	Chromium plated metal
Fixing Collar Material	Zamak
Mounting Diameter	0.89 in (22.5 mm)
Sale Per Indivisible Quantity	1
Head Type	Standard
Shape Of Signaling Unit Head	Round
Type Of Operator	spring return
Operator Profile	White flush
Operator Additional Information	With plain lens
Contacts Type And Composition	1 NO + 1 NC
Contact Operation	Slow-break
Connections - Terminals	Screw clamp terminals, $\leq 2 \times 1.5 \text{ mm}^2$ with cable end IEC 60947-1 Screw clamp terminals, $1 \times 0.22 \dots 2 \times 2.5 \text{ mm}^2$ without cable end IEC 60947-1
Light Source	Universal LED
Bulb Base	Integral LED
[Us] Rated Supply Voltage	24 V AC/DC 50/60 Hz

## Complementary

Height	1.85 in (47 mm)
Width	1.18 in (30 mm)
Depth	2.24 in (57 mm)
Terminals Description Iso N°1	(13-14)NO (21-22)NC
Net Weight	0.21 lb(US) (0.097 kg)

Price is "List Price" and may be subject to a trade discount – check with your local distributor or retailer for actual price.

<b>Resistance To High Pressure Washer</b>	1015.26 psi (7000000 Pa) 131 °F (55 °C) 0.1 m
<b>Contacts Usage</b>	Standard contacts
<b>Positive Opening</b>	With IEC 60947-5-1 appendix K
<b>Operating Travel</b>	0.06 in (1.5 mm) NC changing electrical state) 0.10 in (2.6 mm) NO changing electrical state) 0.17 in (4.3 mm) total travel)
<b>Operating Force</b>	3.5 N NC changing electrical state 3.8 N
<b>Mechanical Durability</b>	10000000 cycles
<b>Tightening Torque</b>	7.08...10.62 lbf.in (0.8...1.2 N.m) IEC 60947-1
<b>Shape Of Screw Head</b>	Cross Philips no 1 Cross pozidriv No 1 Slotted flat Ø 4 mm Slotted flat Ø 5.5 mm
<b>Contacts Material</b>	Silver alloy (Ag/Ni)
<b>Short-Circuit Protection</b>	10 A cartridge fuse gG IEC 60947-5-1
<b>[Ith] Conventional Free Air Thermal Current</b>	10 A IEC 60947-5-1
<b>[Ui] Rated Insulation Voltage</b>	600 V 3)IEC 60947-1
<b>[Uimp] Rated Impulse Withstand Voltage</b>	6 kV IEC 60947-1
<b>[Ie] Rated Operational Current</b>	3 A 240 V, AC-15, A600 IEC 60947-5-1 6 A 120 V, AC-15, A600 IEC 60947-5-1 0.1 A 600 V, DC-13, Q600 IEC 60947-5-1 0.27 A 250 V, DC-13, Q600 IEC 60947-5-1 0.55 A 125 V, DC-13, Q600 IEC 60947-5-1 1.2 A 600 V, AC-15, A600 IEC 60947-5-1
<b>Electrical Durability</b>	1000000 cycles, AC-15, 2 A 230 V 3600 cyc/h 0.5 IEC 60947-5-1 appendix C 1000000 cycles, AC-15, 3 A 120 V 3600 cyc/h 0.5 IEC 60947-5-1 appendix C 1000000 cycles, AC-15, 4 A 24 V 3600 cyc/h 0.5 IEC 60947-5-1 appendix C 1000000 cycles, DC-13, 0.2 A 110 V 3600 cyc/h 0.5 IEC 60947-5-1 appendix C 1000000 cycles, DC-13, 0.5 A 24 V 3600 cyc/h 0.5 IEC 60947-5-1 appendix C
<b>Electrical Reliability</b>	$\Lambda < 10\exp(-6)$ 5 V 1 mA in clean environment IEC 60947-5-4 $\Lambda < 10\exp(-8)$ 17 V 5 mA in clean environment IEC 60947-5-4
<b>Signalling Type</b>	Steady
<b>Current Consumption</b>	18 mA
<b>Service Life</b>	100000 h at rated voltage and 25 °C
<b>Surge Withstand</b>	1 kV IEC 61000-4-5
<b>Supply Voltage Limits</b>	19.2...30 V DC 21.6...26.4 V AC
<b>Device Presentation</b>	Complete product

## Environment

<b>Protective Treatment</b>	TH
<b>Ambient Air Temperature For Storage</b>	-40...158 °F (-40...70 °C)
<b>Ambient Air Temperature For Operation</b>	-40...158 °F (-40...70 °C)
<b>Electrical Shock Protection Class</b>	Class I IEC 60536
<b>Ip Degree Of Protection</b>	IP66 IEC 60529 IP67 IP69 IP69K

<b>Nema Degree Of Protection</b>	NEMA 13 NEMA 4X
<b>Ik Degree Of Protection</b>	IK06 conforming to IEC 50102
<b>Standards</b>	IEC 60947-5-5 CSA C22.2 No 14 IEC 60947-5-4 IEC 60947-5-1 JIS C8201-5-1 UL 508 IEC 60947-1 JIS C8201-1
<b>Product Certifications</b>	DNV CSA UL Listed LROS (Lloyds register of shipping) GL BV
<b>Vibration Resistance</b>	5 gn 2...500 Hz)IEC 60068-2-6
<b>Shock Resistance</b>	30 gn 18 ms) half sine wave acceleration IEC 60068-2-27 50 gn 11 ms) half sine wave acceleration IEC 60068-2-27
<b>Resistance To Fast Transients</b>	2 kV IEC 61000-4-4
<b>Resistance To Electromagnetic Fields</b>	9.14 V/m (10 V/m) IEC 61000-4-3
<b>Resistance To Electrostatic Discharge</b>	6 kV on contact (on metal parts) IEC 61000-4-2 8 kV in free air (in insulating parts) IEC 61000-4-2
<b>Electromagnetic Emission</b>	Class B IEC 55011

## Ordering and shipping details

<b>Category</b>	US10CS222468
<b>Discount Schedule</b>	0CS2
<b>Gtin</b>	3389110892031
<b>Returnability</b>	Yes
<b>Country Of Origin</b>	MX

## Packing Units

<b>Unit Type Of Package 1</b>	PCE
<b>Number Of Units In Package 1</b>	1
<b>Package 1 Height</b>	1.38 in (3.5 cm)
<b>Package 1 Width</b>	2.17 in (5.5 cm)
<b>Package 1 Length</b>	3.35 in (8.5 cm)
<b>Package 1 Weight</b>	3.40 oz (96.25 g)
<b>Unit Type Of Package 2</b>	S03
<b>Number Of Units In Package 2</b>	100
<b>Package 2 Height</b>	11.81 in (30.0 cm)
<b>Package 2 Width</b>	11.81 in (30.0 cm)
<b>Package 2 Length</b>	15.75 in (40.0 cm)
<b>Package 2 Weight</b>	22.22 lb(US) (10.079 kg)
<b>Unit Type Of Package 3</b>	P06
<b>Number Of Units In Package 3</b>	800

---

<b>Package 3 Height</b>	29.53 in (75.0 cm)
<b>Package 3 Width</b>	31.50 in (80.0 cm)
<b>Package 3 Length</b>	23.62 in (60.0 cm)
<b>Package 3 Weight</b>	195.40 lb(US) (88.632 kg)

---

## **Contractual warranty**

---

<b>Warranty</b>	18 months
-----------------	-----------

## Sustainability

**Green Premium™ label** is Schneider Electric's commitment to delivering products with best-in-class environmental performance. Green Premium promises compliance with the latest regulations, transparency on environmental impacts, as well as circular and low-CO<sub>2</sub> products.

**Guide to assessing product sustainability** is a white paper that clarifies global eco-label standards and how to interpret environmental declarations.

[Learn more about Green Premium >](#)

[Guide to assess a product's sustainability >](#)



Transparency RoHS/REACH

## Well-being performance

Mercury Free

Rohs Exemption Information Yes

## Certifications & Standards

Reach Regulation [REACH Declaration](#)

Eu Rohs Directive Pro-active compliance (Product out of EU RoHS legal scope)

China Rohs Regulation [China RoHS declaration](#)

Environmental Disclosure [Product Environmental Profile](#)

Weee The product must be disposed on European Union markets following specific waste collection and never end up in rubbish bins.

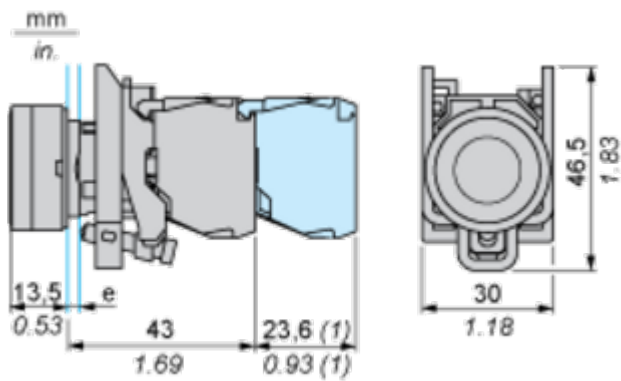
Circularity Profile [End of Life Information](#)

California Proposition 65 WARNING: This product can expose you to chemicals including: Lead and lead compounds, which is known to the State of California to cause cancer and birth defects or other reproductive harm. For more information go to [www.P65Warnings.ca.gov](http://www.P65Warnings.ca.gov)

Dimensions Drawings

Dimensions

---

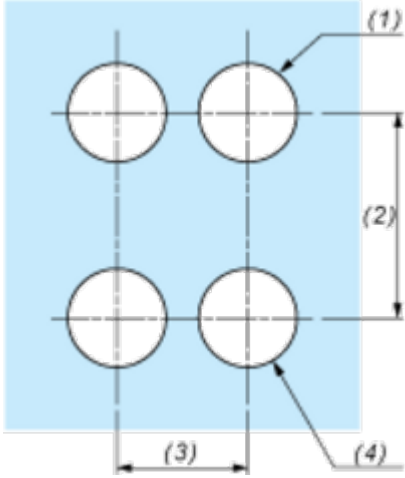
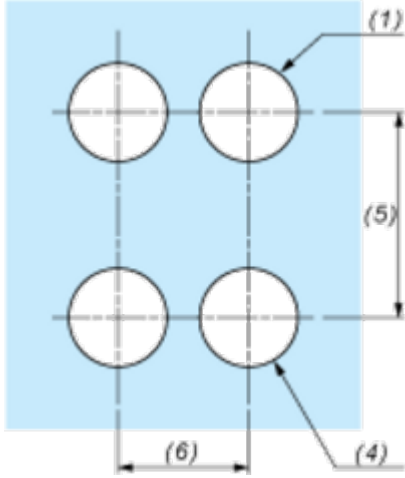


$e$  : clamping thickness: 1 to 6 mm / 0.04 to 0.24 in.

(1) Additional row of contacts or double contact

Mounting and Clearance

Panel Cut-out for Pushbuttons, Switches and Pilot Lights (Finished Holes, Ready for Installation)

Connection by Screw Clamp Terminals or Plug-in Connectors or on Printed Circuit Board	Connection by Faston Connectors
	
<p>(1) Diameter on finished panel or support</p> <p>(2) 40 mm min. / 1.57 in. min.</p> <p>(3) 30 mm min. / 1.18 in. min.</p> <p>(4) <math>\varnothing 22.5 \text{ mm} / 0.89 \text{ in. recommended } (\varnothing 22.3 \text{ mm }_0^{+0.4} / 0.88 \text{ in. }_0^{+0.016})</math></p> <p>(5) 45 mm min. / 1.78 in. min.</p> <p>(6) 32 mm min. / 1.26 in. min.</p>	