

# Product data sheet

Specifications



Complete illuminated push button,  
Harmony XB6, white projecting illum  
pushbutton Ø 16 spring return 1 NO  
12...24 V

XB6AW1B1B

**Product availability : Stock - Normally stocked in distribution facility**

**Price\* : 44.40 USD**

## Main

Range of Product	Harmony XB6
Product or Component Type	Complete illuminated push-button
Device short name	XB6
Bezel material	Plastic
Mounting diameter	0.63 in (16 mm)
Sale per indivisible quantity	1
Shape of signaling unit head	Round
Type of operator	spring return
Operator profile	White flush, unmarked
Contacts type and composition	1 NO
Contact operation	Slow-break
Connections - terminals	Faston connectors 2.8 x 0.5 mm
Light source	LED
Bulb base	Integral LED
[Us] rated supply voltage	12...24 V AC/DC

## Complementary

CAD overall width	0.71 in (18 mm)
CAD overall height	0.71 in (18 mm)
CAD overall depth	2.24 in (57 mm)
Terminals description ISO n°1	(13-14)NO
Net Weight	0.05 lb(US) (0.022 kg)
Operating position	Any position
Positive opening	With EN/IEC 60947-5-1 appendix K
Operating travel	0.04 in (1 mm) NO changing electrical state) 0.14 in (3.5 mm) total travel)
Operating force	3.5 N NO changing electrical state

\* Price is "List Price" and may be subject to a trade discount – check with your local distributor or retailer for actual price.

<b>Contacts material</b>	Silver alloy (Ag/Ni)
<b>Short-circuit protection</b>	6 A cartridge fuse gG
<b>[Ui] rated insulation voltage</b>	250 V 3)EN/IEC 60947-1
<b>[Uimp] rated impulse withstand voltage</b>	4 kV EN/IEC 60947-1
<b>[Ie] rated operational current</b>	3 A 120 V, AC-15, B300 EN/IEC 60947-5-1 1.5 A 240 V, AC-15, B300 EN/IEC 60947-5-1 0.1 A 250 V, DC-13, R300 EN/IEC 60947-5-1 0.22 A 125 V, DC-13, R300 EN/IEC 60947-5-1
<b>Electrical durability</b>	1000000 cycles, AC-15 230 V 3600 cyc/h 0.5 EN/IEC 60947-5-1 appendix C 1000000 cycles, DC-13 230 V 3600 cyc/h 0.5 EN/IEC 60947-5-1 appendix C
<b>Electrical reliability</b>	$\Lambda = 10\exp(-8) 5 V 1 mA$ with confidence level of 90 % IEC 60947-5-4
<b>Signalling type</b>	Steady
<b>Supply voltage limits</b>	6...30 V AC/DC
<b>Current Consumption</b>	15 mA
<b>Surge withstand</b>	1 kV direct contact IEC 61000-4-5 2 kV in free air IEC 61000-4-5

## Environment

<b>Protective treatment</b>	TC
<b>Ambient Air Temperature for Storage</b>	-40...158 °F (-40...70 °C)
<b>Ambient Air Temperature for Operation</b>	-13...158 °F (-25...70 °C)
<b>Electrical shock protection class</b>	Class II IEC 61140
<b>IP degree of protection</b>	IP65 IEC 60529
<b>NEMA degree of protection</b>	NEMA 13 UL 50 NEMA 4 UL 50 NEMA 4X UL 50 NEMA 13 CSA C22.2 No 94 NEMA 4 CSA C22.2 No 94 NEMA 4X CSA C22.2 No 94
<b>Standards</b>	JIS C 4520 EN/IEC 60947-1 EN/IEC 60947-5-1 JIS C 852 EN/IEC 60947-5-5 CSA C22.2 No 14
<b>Product Certifications</b>	GOST CSA UL CCC
<b>Vibration resistance</b>	+/- 3 mm 2...500 Hz)IEC 60068-2-6 5 gn 2...500 Hz)IEC 60068-2-6
<b>Shock resistance</b>	30 gn 18 ms) half sine wave acceleration IEC 60068-2-27 50 gn 11 ms) half sine wave acceleration IEC 60068-2-27
<b>Resistance to fast transients</b>	2 kV IEC 61000-4-4
<b>Resistance to electromagnetic fields</b>	9.14 V/m (10 V/m) IEC 61000-4-3
<b>Resistance to electrostatic discharge</b>	6 kV on contact (on metal parts) IEC 61000-4-2 8 kV in free air (in insulating parts) IEC 61000-4-2
<b>Electromagnetic emission</b>	Class B IEC 55011

## Ordering and shipping details

<b>Category</b>	22459-PUSHBUTTONS, 16MM
<b>Discount Schedule</b>	CS2

<b>GTIN</b>	3389110763706
<b>Returnability</b>	No
<b>Country of origin</b>	MX

## Packing Units

<b>Unit Type of Package 1</b>	PCE
<b>Number of Units in Package 1</b>	1
<b>Package 1 Height</b>	0.79 in (2.0 cm)
<b>Package 1 Width</b>	3.15 in (8.0 cm)
<b>Package 1 Length</b>	3.15 in (8.0 cm)
<b>Package 1 Weight</b>	0.49 oz (14.0 g)
<b>Unit Type of Package 2</b>	S01
<b>Number of Units in Package 2</b>	60
<b>Package 2 Height</b>	5.91 in (15.0 cm)
<b>Package 2 Width</b>	5.91 in (15.0 cm)
<b>Package 2 Length</b>	15.75 in (40.0 cm)
<b>Package 2 Weight</b>	31.75 oz (900.0 g)

## Offer Sustainability

<b>California proposition 65</b>	WARNING: This product can expose you to chemicals including: Lead and lead compounds, which is known to the State of California to cause cancer and birth defects or other reproductive harm. For more information go to <a href="http://www.P65Warnings.ca.gov">www.P65Warnings.ca.gov</a>
<b>REACH Regulation</b>	<a href="#">REACH Declaration</a>
<b>EU RoHS Directive</b>	Pro-active compliance (Product out of EU RoHS legal scope) <a href="#">EU RoHS Declaration</a>
<b>Mercury free</b>	Yes
<b>RoHS exemption information</b>	<a href="#">Yes</a>
<b>China RoHS Regulation</b>	<a href="#">China RoHS declaration</a>
<b>WEEE</b>	The product must be disposed on European Union markets following specific waste collection and never end up in rubbish bins.

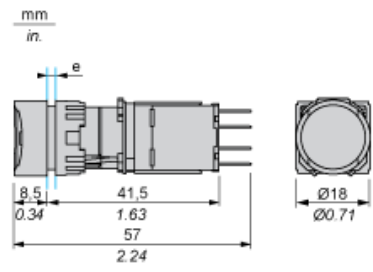
## Contractual warranty

<b>Warranty</b>	18 months
-----------------	-----------

Circular Head Pushbutton

---

Dimensions

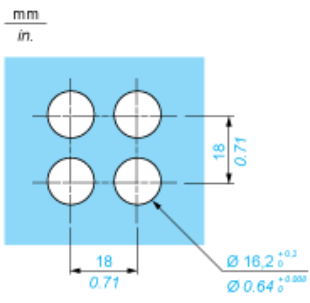


e panel thickness 1 to 6 mm/0.03 to 0.23 in.

**Panel Cut-out**

---

**For Square or Circular Head**



**Recommended replacement(s)**