

Product data sheet

Specifications



Complete illuminated push button, Harmony XB6, green flush, 16mm, spring return, 1NO + 1NC, 12...24V

XB6AW3B5B

Product availability : Stock - Normally stocked in distribution facility

Price* : 52.40 USD

Main

| | |
|-------------------------------|----------------------------------|
| Range of Product | Harmony XB6 |
| Product or Component Type | Complete illuminated push-button |
| Device short name | XB6 |
| Bezel material | Plastic |
| Mounting diameter | 0.63 in (16 mm) |
| Sale per indivisible quantity | 1 |
| Shape of signaling unit head | Round |
| Type of operator | spring return |
| Operator profile | Green flush, unmarked |
| Contacts type and composition | 1 NO + 1 NC |
| Contact operation | Slow-break |
| Connections - terminals | Faston connectors 2.8 x 0.5 mm |
| Light source | LED |
| Bulb base | Integral LED |
| [Us] rated supply voltage | 12...24 V AC/DC |

Complementary

| | |
|-------------------------------|--|
| CAD overall width | 0.71 in (18 mm) |
| CAD overall height | 0.71 in (18 mm) |
| CAD overall depth | 2.24 in (57 mm) |
| Terminals description ISO n°1 | (21-22)NC (13-14)NO |
| Net Weight | 0.06 lb(US) (0.025 kg) |
| Operating position | Any position |
| Positive opening | With EN/IEC 60947-5-1 appendix K |
| Operating travel | 0.04 in (1 mm) NO changing electrical state) 0.08 in (2 mm) NC changing electrical state) 0.14 in (3.5 mm) total travel) |
| Operating force | 3.5 N NO changing electrical state 4.5 N NC changing electrical state |

* Price is "List Price" and may be subject to a trade discount – check with your local distributor or retailer for actual price.

| | |
|---|---|
| Contacts material | Silver alloy (Ag/Ni) |
| Short-circuit protection | 6 A cartridge fuse gG |
| [Ui] rated insulation voltage | 250 V 3)EN/IEC 60947-1 |
| [Uimp] rated impulse withstand voltage | 4 kV EN/IEC 60947-1 |
| [Ie] rated operational current | 3 A 120 V, AC-15, B300 EN/IEC 60947-5-1 1.5 A 240 V, AC-15, B300 EN/IEC 60947-5-1 0.1 A 250 V, DC-13, R300 EN/IEC 60947-5-1 0.22 A 125 V, DC-13, R300 EN/IEC 60947-5-1 |
| Electrical durability | 1000000 cycles, AC-15 230 V 3600 cyc/h 0.5 EN/IEC 60947-5-1 appendix C 1000000 cycles, DC-13 230 V 3600 cyc/h 0.5 EN/IEC 60947-5-1 appendix C |
| Electrical reliability | $\Lambda = 10\exp(-8) 5 V 1 mA$ with confidence level of 90 % IEC 60947-5-4 |
| Signalling type | Steady |
| Supply voltage limits | 6...30 V AC/DC |
| Current Consumption | 15 mA |
| Surge withstand | 1 kV direct contact IEC 61000-4-5 2 kV in free air IEC 61000-4-5 |

Environment

| | |
|--|--|
| Protective treatment | TC |
| Ambient Air Temperature for Storage | -40...158 °F (-40...70 °C) |
| Ambient Air Temperature for Operation | -13...158 °F (-25...70 °C) |
| Electrical shock protection class | Class II IEC 61140 |
| IP degree of protection | IP65 IEC 60529 |
| NEMA degree of protection | NEMA 13 UL 50 NEMA 4 UL 50 NEMA 4X UL 50 NEMA 13 CSA C22.2 No 94 NEMA 4 CSA C22.2 No 94 NEMA 4X CSA C22.2 No 94 |
| Standards | CSA C22.2 No 14 JIS C 4520 EN/IEC 60947-5-1 JIS C 852 EN/IEC 60947-1 EN/IEC 60947-5-5 |
| Product Certifications | UL GOST CCC CSA |
| Vibration resistance | +/- 3 mm 2...500 Hz)IEC 60068-2-6 5 gn 2...500 Hz)IEC 60068-2-6 |
| Shock resistance | 30 gn 18 ms) half sine wave acceleration IEC 60068-2-27 50 gn 11 ms) half sine wave acceleration IEC 60068-2-27 |
| Resistance to fast transients | 2 kV IEC 61000-4-4 |
| Resistance to electromagnetic fields | 9.14 V/m (10 V/m) IEC 61000-4-3 |
| Resistance to electrostatic discharge | 6 kV on contact (on metal parts) IEC 61000-4-2 8 kV in free air (in insulating parts) IEC 61000-4-2 |
| Electromagnetic emission | Class B IEC 55011 |

Ordering and shipping details

| | |
|--------------------------|-------------------------|
| Category | 22459-PUSHBUTTONS, 16MM |
| Discount Schedule | CS2 |

| | |
|-------------------|---------------|
| GTIN | 3389110763799 |
| Returnability | No |
| Country of origin | MX |

Packing Units

| | |
|------------------------------|------------------------|
| Unit Type of Package 1 | PCE |
| Number of Units in Package 1 | 1 |
| Package 1 Height | 0.79 in (2.0 cm) |
| Package 1 Width | 3.15 in (8.0 cm) |
| Package 1 Length | 3.15 in (8.0 cm) |
| Package 1 Weight | 0.56 oz (16.0 g) |
| Unit Type of Package 2 | S01 |
| Number of Units in Package 2 | 60 |
| Package 2 Height | 5.91 in (15.0 cm) |
| Package 2 Width | 5.91 in (15.0 cm) |
| Package 2 Length | 15.75 in (40.0 cm) |
| Package 2 Weight | 2.52 lb(US) (1.144 kg) |

Offer Sustainability

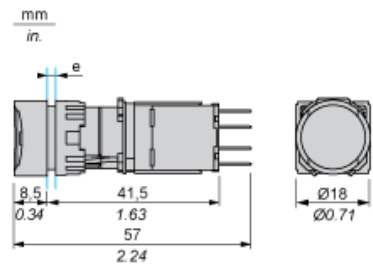
| | |
|----------------------------|---|
| Sustainable offer status | Green Premium product |
| California proposition 65 | WARNING: This product can expose you to chemicals including: Lead and lead compounds, which is known to the State of California to cause cancer and birth defects or other reproductive harm. For more information go to www.P65Warnings.ca.gov |
| REACH Regulation | REACH Declaration |
| EU RoHS Directive | Pro-active compliance (Product out of EU RoHS legal scope) EU RoHS Declaration |
| Mercury free | Yes |
| RoHS exemption information | Yes |
| China RoHS Regulation | China RoHS declaration |
| Environmental Disclosure | Product Environmental Profile |
| Circularity Profile | End of Life Information |
| WEEE | The product must be disposed on European Union markets following specific waste collection and never end up in rubbish bins. |

Contractual warranty

| | |
|----------|-----------|
| Warranty | 18 months |
|----------|-----------|

Circular Head Pushbutton

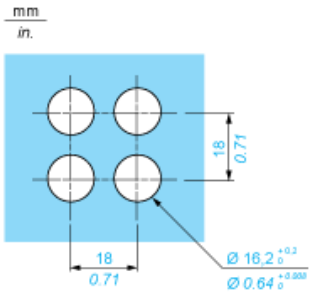
Dimensions



e panel thickness 1 to 6 mm/0.03 to 0.23 in.

Panel Cut-out

For Square or Circular Head



Recommended replacement(s)