

# Product data sheet

Specifications



white square flush complete  
pushbutton Ø16 spring return 1NO  
+1NC unmarked

XB6CA15B

! Discontinued on: 02 December 2020

! End-of-service on: 31 December 2020

! Discontinued

## Main

Range of Product	Harmony XB6
Product or Component Type	Complete push-button
Device short name	XB6
Bezel material	Plastic
Mounting diameter	0.63 in (16 mm)
Sale per indivisible quantity	1
Shape of signaling unit head	Square
Type of operator	spring return
Operator profile	White flush, unmarked
Contacts type and composition	1 NO + 1 NC
Contact operation	Slow-break
Connections - terminals	Faston connectors 2.8 x 0.5 mm

## Complementary

CAD overall width	0.71 in (18 mm)
CAD overall height	0.71 in (18 mm)
CAD overall depth	2.24 in (57 mm)
Terminals description ISO n°1	(13-14)NO (21-22)NC
Net Weight	0.05 lb(US) (0.022 kg)
Operating position	Any position
Positive opening	With EN/IEC 60947-5-1 appendix K
Operating travel	0.04 in (1 mm) NO changing electrical state) 0.08 in (2 mm) NC changing electrical state) 0.14 in (3.5 mm) total travel)
Operating force	3.5 N NO changing electrical state 4.5 N NC changing electrical state
Mechanical durability	2000000 cycles
Contacts material	Silver alloy (Ag/Ni)
Short-circuit protection	6 A cartridge fuse gG

<b>[Ui] rated insulation voltage</b>	250 V 3)EN/IEC 60947-1
<b>[Uimp] rated impulse withstand voltage</b>	4 kV EN/IEC 60947-1
<b>[Ie] rated operational current</b>	3 A 120 V, AC-15, B300 EN/IEC 60947-5-1 1.5 A 240 V, AC-15, B300 EN/IEC 60947-5-1 0.1 A 250 V, DC-13, R300 EN/IEC 60947-5-1 0.22 A 125 V, DC-13, R300 EN/IEC 60947-5-1
<b>Electrical durability</b>	1000000 cycles, AC-15 230 V 3600 cyc/h 0.5 EN/IEC 60947-5-1 appendix C 1000000 cycles, DC-13 230 V 3600 cyc/h 0.5 EN/IEC 60947-5-1 appendix C
<b>Electrical reliability</b>	$\Lambda = 10\exp(-8) 5 V 1 mA$ with confidence level of 90 % IEC 60947-5-4

## Environment

<b>Protective treatment</b>	TC
<b>Ambient Air Temperature for Storage</b>	-40...158 °F (-40...70 °C)
<b>Ambient Air Temperature for Operation</b>	-13...158 °F (-25...70 °C)
<b>Electrical shock protection class</b>	Class II IEC 61140
<b>IP degree of protection</b>	IP65 IEC 60529
<b>NEMA degree of protection</b>	NEMA 13 UL 50 NEMA 4 UL 50 NEMA 4X UL 50 NEMA 13 CSA C22.2 No 94 NEMA 4 CSA C22.2 No 94 NEMA 4X CSA C22.2 No 94
<b>Standards</b>	EN/IEC 60947-5-1 JIS C 852 JIS C 4520 UL 508 EN/IEC 60947-5-5 CSA C22.2 No 14 EN/IEC 60947-1
<b>Product Certifications</b>	UL CCC CSA GOST
<b>Vibration resistance</b>	+/- 3 mm 2...500 Hz)IEC 60068-2-6 5 gn 2...500 Hz)IEC 60068-2-6
<b>Shock resistance</b>	30 gn 18 ms) half sine wave acceleration IEC 60068-2-27 50 gn 11 ms) half sine wave acceleration IEC 60068-2-27

## Ordering and shipping details

<b>Category</b>	22459-PUSHBUTTONS, 16MM
<b>Discount Schedule</b>	CS2
<b>GTIN</b>	3389110764239
<b>Returnability</b>	No
<b>Country of origin</b>	MX

## Offer Sustainability

<b>California proposition 65</b>	WARNING: This product can expose you to chemicals including: Di-isodecyl phthalate (DIDP), which is known to the State of California to cause birth defects or other reproductive harm. For more information go to <a href="http://www.P65Warnings.ca.gov">www.P65Warnings.ca.gov</a>
<b>REACH Regulation</b>	<a href="#">REACH Declaration</a>
<b>REACH free of SVHC</b>	Yes
<b>EU RoHS Directive</b>	Pro-active compliance (Product out of EU RoHS legal scope) <a href="#">EU RoHS Declaration</a>
<b>Toxic heavy metal free</b>	Yes

---

<b>Mercury free</b>	Yes
<b>RoHS exemption information</b>	<a href="#">Yes</a>
<b>China RoHS Regulation</b>	<a href="#">China RoHS declaration</a>
<b>WEEE</b>	The product must be disposed on European Union markets following specific waste collection and never end up in rubbish bins.

---

## Contractual warranty

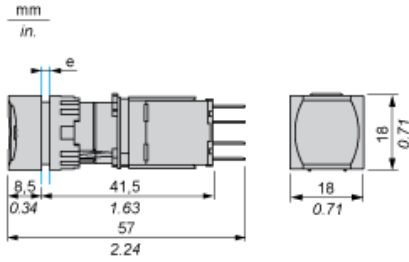
---

<b>Warranty</b>	18 months
-----------------	-----------

**Square Head Pushbutton**

---

**Dimensions**

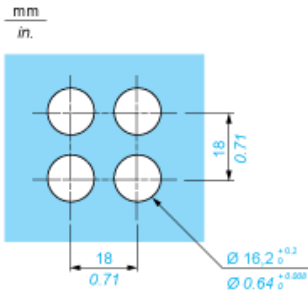


e panel thickness 1 to 6 mm/0.03 to 0.23 in.

**Panel Cut-out**

---

**For Square or Circular Head**



**Recommended replacement(s)**

XB6CA15B is replaced by the following product range:



**Harmony 16 mm XB6/ZB6 Plastic Push Buttons**

16 mm XB6/ZB6 plastic monolithic and modular push buttons, selector switches, and pilot lights

Products: 411