

# Product data sheet

Specifications



## small panel with keypad - with matrix screen - green - 5 V

XBTN400

! Discontinued on: 17 February 2021

! To be end-of-service on: 23 December 2022

! Discontinued

### Main

|                           |                         |
|---------------------------|-------------------------|
| Range of Product          | Magelis XBTN            |
| Product or Component Type | Small panel with keypad |
| Display Resolution        | 122 x 32 pixels         |
| Software Type             | Configuration software  |
| Software Designation      | Vijeo Designer Lite     |
| Operating System          | Magelis                 |

### Complementary

|                             |  |
|-----------------------------|--|
| Display Type                | Extra-bright matrix backlit LCD  |
| Display colour              | Green  |
| Character font              | ASCII<br>Chinese (simplified Chinese)<br>Katakana<br>Cyrillic<br>Greek |
| [Us] rated supply voltage   | 5 V DC   |
| Supply                      | From PLC (terminal port)   |
| Number of key               | 8  |
| Number of fixed keys        | 4  |
| Number of customisable keys | 4  |
| Number of pages             | 256 alarm pages<br>200 application pages                               |
| Memory type                 | Flash  |
| Memory capacity             | 512 kB   |
| Integrated connection type  | Serial link female RJ45, asynchronous RS232C/RS485)point-to-point      |
| Realtime clock              | Access to the PLC real-time clock                                      |
| Product mounting            | Flush mounting   |
| Fixing Mode                 | By 2 spring clips  |
| Display material            | Polyester  |
| Front material              | PPT  |
| Keypad material             | Polyester  |

|                           |                                   |
|---------------------------|-----------------------------------|
| <b>Marking</b>            | CE                                |
| <b>Width</b>              | 5.20 in (132 mm)                  |
| <b>Height</b>             | 2.91 in (74 mm)                   |
| <b>Depth</b>              | 1.69 in (43 mm)                   |
| <b>Cut-out dimensions</b> | 119.4 (+/- 0.5) x 63 (+/- 0.4) mm |
| <b>Net Weight</b>         | 0.79 lb(US) (0.36 kg)             |

## Environment

|  |  |
|--|--|
| <b>Messages display capacity</b>             | 4 lines of 20 characters maximum<br>1 line of 5 characters minimum           |
| <b>Downloadable protocols</b>                | Uni-TE<br>Modbus   |
| <b>Standards</b>                             | UL 508<br>IEC 61131-2<br>CSA C22.2 No 14<br>IEC 60068-2-27<br>IEC 60068-2-6  |
| <b>Product Certifications</b>                | CSA Class 1 Division 2<br>UL 1604<br>UL Class 1 Division 2<br>ATEX zone 2/22 |
| <b>Ambient Air Temperature for Operation</b> | 32...131 °F (0...55 °C)  |
| <b>Ambient Air Temperature for Storage</b>   | -4...140 °F (-20...60 °C)  |
| <b>Relative humidity</b>                     | 0...85 % without condensation  |
| <b>IP degree of protection</b>               | IP20 IEC 60529 rear panel)<br>IP65 IEC 60529 front panel)                    |
| <b>NEMA degree of protection</b>             | NEMA 4X front panel outdoor use)   |
| <b>Shock resistance</b>                      | 15 gn 11 ms  |
| <b>Vibration resistance</b>                  | +/- 3.5 mm 2...8.45 Hz)<br>1 gn 8.45...150 Hz)                               |

## Ordering and shipping details

|                          |                                      |
|--------------------------|--------------------------------------|
| <b>Category</b>          | 22570-MAGELIS TEXT DISPLAYS & ACCESS |
| <b>Discount Schedule</b> | MC2                                  |
| <b>GTIN</b>              | 3389110379952                        |
| <b>Returnability</b>     | No                                   |
| <b>Country of origin</b> | CN                                   |

## Packing Units

|                                     |                    |
|-------------------------------------|--------------------|
| <b>Unit Type of Package 1</b>       | PCE                |
| <b>Number of Units in Package 1</b> | 1                  |
| <b>Package 1 Height</b>             | 1.65 in (4.2 cm)   |
| <b>Package 1 Width</b>              | 6.34 in (16.1 cm)  |
| <b>Package 1 Length</b>             | 9.13 in (23.2 cm)  |
| <b>Package 1 Weight</b>             | 15.52 oz (440.0 g) |
| <b>Unit Type of Package 2</b>       | S03                |
| <b>Number of Units in Package 2</b> | 11                 |
| <b>Package 2 Height</b>             | 11.81 in (30.0 cm) |
| <b>Package 2 Width</b>              | 11.81 in (30.0 cm) |

|                         |                        |
|-------------------------|------------------------|
| <b>Package 2 Length</b> | 15.75 in (40.0 cm)     |
| <b>Package 2 Weight</b> | 11.49 lb(US) (5.21 kg) |

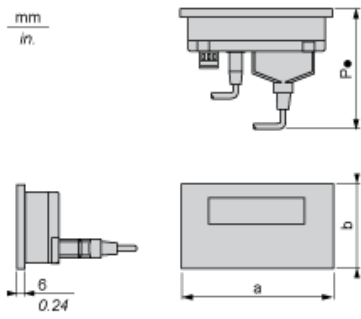
## Offer Sustainability

|                                   |   |
|-----------------------------------|---|
| <b>California proposition 65</b>  | WARNING: This product can expose you to chemicals including: Lead and lead compounds, which is known to the State of California to cause cancer and birth defects or other reproductive harm. For more information go to <a href="http://www.P65Warnings.ca.gov">www.P65Warnings.ca.gov</a> |
| <b>REACH Regulation</b>           | <a href="#">REACH Declaration</a>   |
| <b>REACH free of SVHC</b>         | Yes   |
| <b>EU RoHS Directive</b>          | Pro-active compliance (Product out of EU RoHS legal scope)<br><a href="#">EU RoHS Declaration</a>   |
| <b>Mercury free</b>               | Yes   |
| <b>RoHS exemption information</b> | <a href="#">Yes</a>   |
| <b>China RoHS Regulation</b>      | <a href="#">China RoHS declaration</a>  |
| <b>WEEE</b>                       | The product must be disposed on European Union markets following specific waste collection and never end up in rubbish bins.  |

## Contractual warranty

|                 |           |
|-----------------|-----------|
| <b>Warranty</b> | 18 months |
|-----------------|-----------|

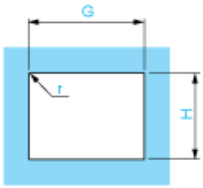
**Dimensions**



| a  |      | b  |     | b1 (1) |      | P1 (2) |      |
|--|------|----|-----|--------|------|--------|------|
| mm   | in.  | mm | in. | mm     | in.  | mm     | in.  |
| 132  | 5.19 | 74 | 3   | 104    | 4.09 | 78     | 3.07 |
| (1) With fixing clips (included with product)<br>(2) P1: depth with RJ45 cable XBTZ9780 (for Twido, TSX Micro and Premium) |      |    |     |        |      |        |      |

**Cut-out for Flush Mounting**

---



Panel thickness = 1.5...6 mm / 0.05...0.23 in.

| H       |           | G       |           | r max. |      |
|---------|-----------|---------|-----------|--------|------|
| ±0.4 mm | ±0.02 in. | ±0.5 mm | ±0.02 in. | mm     | in.  |
| 63      | 2.48      | 119.4   | 5         | 1.5    | 0.05 |

**Recommended replacement(s)**

XBTN400 is replaced by:

1x



Touch panel screen, Harmony STO & STU, 4.3" wide RS 232/485 RJ45  
HMISTO715