

# Product data sheet

Specifications



## pressure switch XMLA 20 bar - fixed scale 1 threshold - 1 C/O

XMLA020A2S11

**Product availability : Stock - Normally stocked in distribution facility**

**Price\* : 207.00 USD**

### Main

Range of Product	Telemecanique Pressure sensors XM
Product or Component Type	Electromechanical pressure sensor
Pressure sensor type	Electromechanical pressure sensor
Device short name	XMLA
Pressure Rating	290.08 psi (20 bar)
Controlled fluid	Air 32...158 °F (0...70 °C) Fresh water 32...158 °F (0...70 °C) Hydraulic oil 32...158 °F (0...70 °C)
Fluid connection type	G 1/4 (female) ISO 228
Electrical connection	Screw-clamps terminals, 1 x 0.5...2 x 2.5 mm <sup>2</sup> 1 connector Pg 13
AWG gauge	AWG 20...AWG 14
Cable entry	Cable gland 0.35...0.51 in (9...13 mm)
Contacts type and composition	1 C/O
Product Specific Application	-
Pressure switch type of operation	Detection of 1 single threshold
Electrical circuit type	Control circuit
Scale type	Fixed differential
Local display	With
Adjustable range of switching point on rising pressure	14.50...290.08 psi (1...20 bar)
Adjustable range of switching point on falling pressure	8.70...275.57 psi (0.6...19 bar)
Maximum permissible accidental pressure	652.67 psi (45 bar)
Destruction pressure	1305.34 psi (90 bar)
Pressure actuator	Diaphragm
Materials in contact with fluid	Nitrile Brass Zinc alloy
Enclosure Material	Zinc alloy
Line Rated Current	3 A, B300, AC-15 (Ue = 120 V)EN/IEC 60947-5-1

\* Price is "List Price" and may be subject to a trade discount – check with your local distributor or retailer for actual price.

## Complementary

<b>Natural differential at low setting</b>	5.80 psi (0.4 bar) +/- 0.2 bar
<b>Natural differential at high setting</b>	14.50 psi (1 bar) +/- 0.1 bar
<b>Maximum permissible pressure - per cycle</b>	362.59 psi (25 bar)
<b>Terminal block type</b>	4 terminals
<b>Maximum operating rate</b>	120 cyc/mn
<b>Repeat accuracy</b>	2 %
<b>[Ui] rated insulation voltage</b>	300 V UL 508 500 V EN/IEC 60947-1 300 V CSA C22.2 No 14
<b>[Uimp] rated impulse withstand voltage</b>	6 kV EN/IEC 60947-1
<b>Auxiliary contacts operation</b>	Snap action
<b>Contacts material</b>	Silver contacts
<b>Maximum resistance across terminals</b>	25 mOhm IEC 255-7 category 3 25 mOhm NF C 93-050 method A
<b>Short-circuit protection</b>	10 A cartridge fuse gG (gl)
<b>Mechanical durability</b>	5000000 cycles
<b>Setting</b>	External
<b>Height</b>	4.45 in (113 mm)
<b>Depth</b>	2.95 in (75 mm)
<b>Width</b>	1.38 in (35 mm)
<b>Net Weight</b>	1.51 lb(US) (0.685 kg)

## Environment

<b>Standards</b>	CSA C22.2 No 14 UL 508 EN/IEC 60947-5-1 CE
<b>Product Certifications</b>	UL LROS (Lloyds register of shipping) EAC CSA BV CCC
<b>Protective treatment</b>	TC standard version
<b>Ambient air temperature for operation</b>	-13...158 °F (-25...70 °C)
<b>Ambient Air Temperature for Storage</b>	-40...158 °F (-40...70 °C)
<b>Operating position</b>	Any position
<b>Vibration resistance</b>	4 gn 30...500 Hz)IEC 60068-2-6
<b>Shock resistance</b>	50 gn IEC 60068-2-27
<b>Electrical shock protection class</b>	Class I IEC 1140 Class I IEC 536 Class I NF C 20-030
<b>IP degree of protection</b>	IP66 conforming to EN/IEC 60529

## Ordering and shipping details

Category	22661 - XMLA,B,C,D PRESSURE SWITCHES
Discount Schedule	DS2
GTIN	3389110711691
Nbr. of units in pkg.	1
Package weight(Lbs)	25.11 oz (712 g)
Returnability	Yes
Country of origin	CZ

## Packing Units

Unit Type of Package 1	PCE
Package 1 Height	3.46 in (8.8 cm)
Package 1 width	4.76 in (12.1 cm)
Package 1 Length	1.65 in (4.2 cm)
Unit Type of Package 2	S02
Number of Units in Package 2	13
Package 2 Weight	21.10 lb(US) (9.57 kg)
Package 2 Height	5.91 in (15 cm)
Package 2 width	11.81 in (30 cm)
Package 2 Length	15.75 in (40 cm)

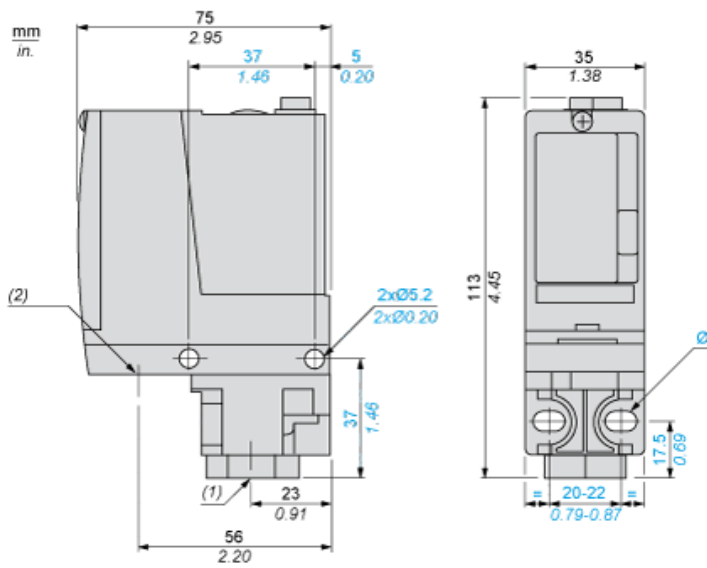
## Offer Sustainability

Sustainable offer status	Green Premium product
California proposition 65	WARNING: This product can expose you to chemicals including: Diisononyl phthalate (DINP), which is known to the State of California to cause cancer, and Di-isodecyl phthalate (DIDP), which is known to the State of California to cause birth defects or other reproductive harm. For more information go to <a href="http://www.P65Warnings.ca.gov">www.P65Warnings.ca.gov</a>
REACH Regulation	<a href="#">REACH Declaration</a>
EU RoHS Directive	Pro-active compliance (Product out of EU RoHS legal scope) <a href="#">EU RoHS Declaration</a>
Mercury free	Yes
RoHS exemption information	<a href="#">Yes</a>
Environmental Disclosure	<a href="#">Product Environmental Profile</a>

## Contractual warranty

Warranty	18 months
----------	-----------

Dimensions

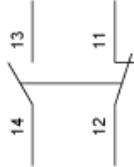


- (1) 1 fluid entry, tapped G1/4 (BSP female)
- (2) 1 electrical connections entry, tapped Pg 13.5
- Ø : 2 elongated holes Ø 5.2 x 6.7

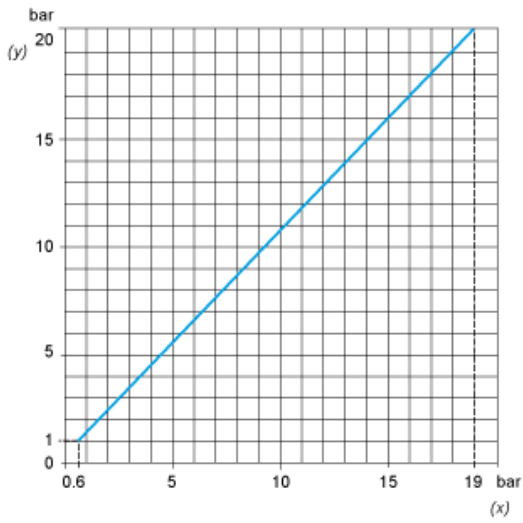
**Wiring Diagram**

---

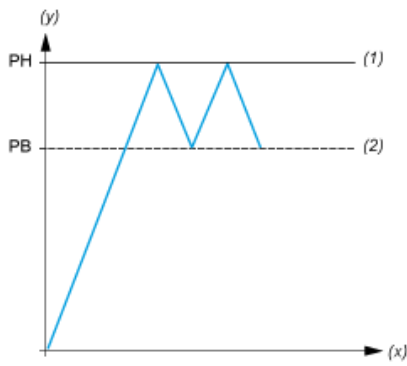
**Terminal Model**



**Operating Curves**



(y) Rising pressure  
(x) Falling pressure



(y) Pressure  
(x) Time  
(1) Adjustable value  
(2) Non adjustable value  
PH : High point  
PB : Below point