

# Product data sheet

Specifications



servo motor BCH, Lexium 28,  
100mm, 1000W, 2.4kg.cm<sup>2</sup>, with oil  
seal, with key, straight connection

BCH2LH1033CA6C

## Main

|                           |             |
|---------------------------|-------------|
| Range compatibility       | Lexium 28   |
| Product or component type | Servo motor |
| Device short name         | BCH2        |

## Complementary

|                           |  |
|---------------------------|--|
| Maximum mechanical speed  | 5000 rpm   |
| [Us] rated supply voltage | 220 V  |
| Network number of phases  | Single phase<br>Three phase  |
| Continuous stall current  | 5.83 A   |
| Continuous stall torque   | 3.18 N.m for LXM26D at 7 A, 220 V, single phase<br>3.18 N.m for LXM26D at 7 A, 220 V, three phase<br>3.18 N.m for LXM28... at 7 A, 220 V, single phase<br>3.18 N.m for LXM28... at 7 A, 220 V, three phase                         |
| Continuous power          | 1000 W   |
| Peak stall torque         | 9.54 N.m for LXM26D at 7 A, 220 V, single phase<br>9.54 N.m for LXM26D at 7 A, 220 V, three phase<br>9.54 N.m for LXM28... at 7 A, 220 V, single phase<br>9.54 N.m for LXM28... at 7 A, 220 V, three phase                         |
| Nominal output power      | 1000 W for LXM26D at 7 A, 220 V, single phase<br>1000 W for LXM26D at 7 A, 220 V, three phase<br>1000 W for LXM28... at 7 A, 220 V, single phase<br>1000 W for LXM28... at 7 A, 220 V, three phase                                 |
| Nominal torque            | 3.18 N.m for LXM26D at 7 A, 220 V, single phase<br>3.18 N.m for LXM26D at 7 A, 220 V, three phase<br>3.18 N.m for LXM28... at 7 A, 220 V, single phase<br>3.18 N.m for LXM28... at 7 A, 220 V, three phase                         |
| Nominal speed             | 3000 rpm for LXM26D at 7 A, 220 V, single phase<br>3000 rpm for LXM26D at 7 A, 220 V, three phase<br>3000 rpm for LXM28... at 7 A, 220 V, single phase<br>3000 rpm for LXM28... at 7 A, 220 V, three phase                         |
| Maximum current Irms      | 18.9 A for LXM28... at 1 kW, 220 V   |
| Maximum permanent current | 6.64 A   |
| Product compatibility     | LXM26D servo drive motor at 1 kW, 220 V, single phase<br>LXM26D servo drive motor at 1 kW, 220 V, three phase<br>LXM28... servo drive motor at 1 kW, 220 V, single phase<br>LXM28... servo drive motor at 1 kW, 220 V, three phase |
| Shaft end                 | Keyed  |
| Shaft diameter            | 22 mm  |
| Shaft length              | 45 mm  |

|  |                                      |
|--|--------------------------------------|
| <b>Key width</b>                             | 8 mm                                 |
| <b>Feedback type</b>                         | 20 bits single turn absolute encoder |
| <b>Holding brake</b>                         | Without                              |
| <b>Mounting support</b>                      | Asian standard flange                |
| <b>Motor flange size</b>                     | 100 mm                               |
| <b>Electrical connection</b>                 | Connector MIL                        |
| <b>Torque constant</b>                       | 0.55 N.m/A at 20 °C                  |
| <b>Back emf constant</b>                     | 33 V/krpm at 20 °C                   |
| <b>Rotor inertia</b>                         | 2.4 kg.cm <sup>2</sup>               |
| <b>Stator resistance</b>                     | 0.67 Ohm at 20 °C                    |
| <b>Stator inductance</b>                     | 4.2 mH at 20 °C                      |
| <b>Stator electrical time constant</b>       | 6.27 ms at 20 °C                     |
| <b>Maximum radial force Fr</b>               | 570 N at 3000 rpm                    |
| <b>Maximum axial force Fa</b>                | 200 N                                |
| <b>Brake pull-in power</b>                   | 10.4 W                               |
| <b>Type of cooling</b>                       | Natural convection                   |
| <b>Length</b>                                | 153.5 mm                             |
| <b>Number of motor stacks</b>                | 1                                    |
| <b>Centring collar diameter</b>              | 95 mm                                |
| <b>Centring collar depth</b>                 | 7 mm                                 |
| <b>Number of mounting holes</b>              | 4                                    |
| <b>Mounting holes diameter</b>               | 9.2 mm                               |
| <b>Circle diameter of the mounting holes</b> | 115 mm                               |
| <b>Distance shaft shoulder-flange</b>        | 7 mm                                 |
| <b>Net weight</b>                            | 4.6 kg                               |

## Environment

|  |                                 |
|--|---------------------------------|
| <b>IP degree of protection</b>               | IP50 IM V3<br>IP65 IM B5, IM V1 |
| <b>Ambient air temperature for operation</b> | -20...40 °C                     |

## Packing Units

|                                     |         |
|-------------------------------------|---------|
| <b>Unit Type of Package 1</b>       | PCE     |
| <b>Number of Units in Package 1</b> | 1       |
| <b>Package 1 Height</b>             | 18.1 cm |
| <b>Package 1 Width</b>              | 23.0 cm |
| <b>Package 1 Length</b>             | 36.0 cm |
| <b>Package 1 Weight</b>             | 6.47 kg |

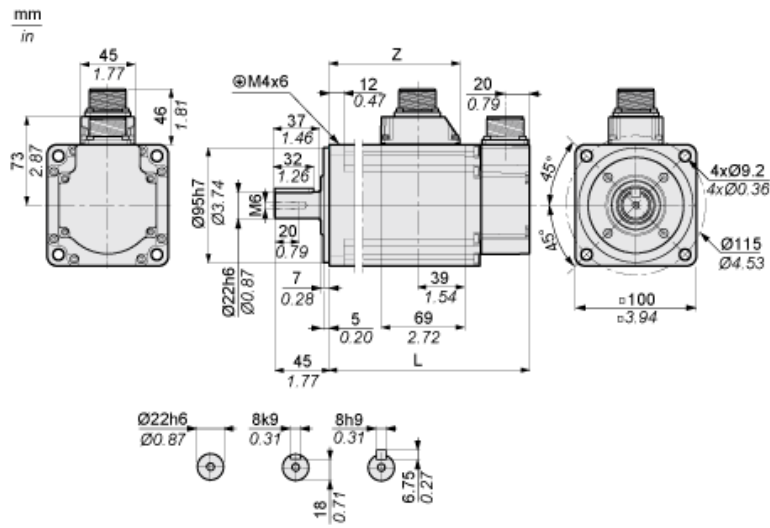
## Offer Sustainability

|                                 |                                   |
|---------------------------------|-----------------------------------|
| <b>Sustainable offer status</b> | Green Premium product             |
| <b>REACH Regulation</b>         | <a href="#">REACH Declaration</a> |
| <b>REACH free of SVHC</b>       | Yes                               |

|                                   |   |
|-----------------------------------|---|
| <b>EU RoHS Directive</b>          | Pro-active compliance (Product out of EU RoHS legal scope)<br><a href="#">EU RoHS Declaration</a>   |
| <b>Mercury free</b>               | Yes   |
| <b>China RoHS Regulation</b>      | <a href="#">China RoHS declaration</a>  |
| <b>RoHS exemption information</b> | Yes   |
| <b>Environmental Disclosure</b>   | <a href="#">Product Environmental Profile</a>   |
| <b>Circularity Profile</b>        | <a href="#">End of Life Information</a>   |
| <b>WEEE</b>                       | The product must be disposed on European Union markets following specific waste collection and never end up in rubbish bins   |
| <b>PVC free</b>                   | Yes   |
| <b>California proposition 65</b>  | WARNING: This product can expose you to chemicals including: Lead and lead compounds, which is known to the State of California to cause cancer and birth defects or other reproductive harm. For more information go to <a href="http://www.P65Warnings.ca.gov">www.P65Warnings.ca.gov</a> |

Dimensions

Dimensions of Motor

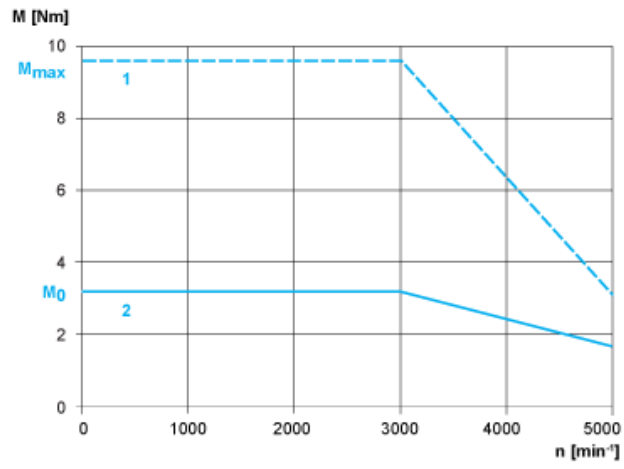


|                           | mm    | in.  |
|---------------------------|-------|------|
| L (without holding brake) | 153.5 | 6.04 |
| L (with holding brake)    | 180.5 | 7.11 |
| Z                         | 96    | 3.78 |

Torque/Speed Curves with 230 V Single/Three Phase Supply Voltage

---

Servo Motor with LXM28AU10••• Servo Drive



- 1 : Peak torque
- 2 : Continuous torque

Recommended replacement(s)