

Product data sheet

Specifications



circuit breaker, EasyPact Ezc100N, TMD, 30A, 4 poles 3d

Ezc100N4030

Main

Range of product	EasyPact
Product or component type	Circuit breaker
Device short name	Easypact Ezc100N
Circuit breaker name	Easypact Ezc100N
Device application	Distribution
Poles description	4P
Protected poles description	3t
Network type	AC DC
Network frequency	50/60 Hz
[In] rated current	30 A at 40 °C
[Ui] rated insulation voltage	690 V AC 50/60 Hz conforming to IEC 60947-2
[Uimp] rated impulse withstand voltage	6 kV conforming to IEC 60947-2
[Ue] rated operational voltage	550 V AC 50/60 Hz conforming to IEC 60947-2 250 V DC conforming to IEC 60947-2
Breaking capacity code	N
Breaking capacity	10 kA Icu at 440 V AC 50/60 Hz conforming to IEC 60947-2 25 kA Icu at 110...130 V AC 50/60 Hz conforming to IEC 60947-2 25 kA Icu at 220...240 V AC 50/60 Hz conforming to IEC 60947-2 5 kA Icu at 125 V DC 1P conforming to IEC 60947-2 5 kA Icu at 250 V DC 2P conforming to IEC 60947-2 5 kA Icu at 550 V AC 50/60 Hz conforming to IEC 60947-2 15 kA Icu at 415 V AC 50/60 Hz conforming to IEC 60947-2 18 kA Icu at 380...400 V AC 50/60 Hz conforming to IEC 60947-2
[Ics] rated service breaking capacity	5 kA at 440 V AC 50/60 Hz conforming to IEC 60947-2 2.5 kA at 125 V DC conforming to IEC 60947-2 2.5 kA at 250 V DC conforming to IEC 60947-2 2.5 kA at 550 V AC 50/60 Hz conforming to IEC 60947-2 12.5 kA at 220...240 V AC 50/60 Hz conforming to IEC 60947-2 12.5 kA at 110...130 V AC 50/60 Hz conforming to IEC 60947-2 9 kA at 380...400 V AC 50/60 Hz conforming to IEC 60947-2 7.5 kA at 415 V AC 50/60 Hz conforming to IEC 60947-2
Suitability for isolation	Yes conforming to IEC 60947-2
Utilisation category	Category A
Trip unit name	TM-D
Trip unit technology	Thermal-magnetic
Trip unit rating	30 A at 50 °C

Protection type	Overload protection Short-circuit protection
------------------------	---

Pollution degree	3 conforming to IEC 60947
-------------------------	---------------------------

Complementary

Control type	Toggle
---------------------	--------

Mounting mode	Fixed
----------------------	-------

Mounting support	Backplate
-------------------------	-----------

Upside connection	Front
--------------------------	-------

Downside connection	Front
----------------------------	-------

Mechanical durability	8500 cycles
------------------------------	-------------

Electrical durability	Category A: 1500 cycles 415 V AC 50/60 Hz conforming to IEC 60947-2
------------------------------	---

Connection pitch	25 mm
-------------------------	-------

Local signalling	Positive contact indication
-------------------------	-----------------------------

Neutral protection setting	Without protection
-----------------------------------	--------------------

Earth-leakage protection	Without
---------------------------------	---------

Height	130 mm
---------------	--------

Width	100 mm
--------------	--------

Depth	60 mm
--------------	-------

Environment

Standards	GB/T 14048.2 EN/IEC 60947-2 EN/IEC 60947-1 JIS C8201-2-2
------------------	---

IP degree of protection	IP20 conforming to IEC 60529
--------------------------------	------------------------------

IK degree of protection	IK07 conforming to EN 50102
--------------------------------	-----------------------------

Ambient air temperature for operation	-25...70 °C
--	-------------

Ambient air temperature for storage	-35...85 °C
--	-------------

Packing Units

Unit Type of Package 1	PCE
-------------------------------	-----

Number of Units in Package 1	1
-------------------------------------	---

Package 1 Height	9.7 cm
-------------------------	--------

Package 1 Width	10.7 cm
------------------------	---------

Package 1 Length	13.8 cm
-------------------------	---------

Package 1 Weight	988 g
-------------------------	-------

Unit Type of Package 2	S02
-------------------------------	-----

Number of Units in Package 2	9
-------------------------------------	---

Package 2 Height	15 cm
-------------------------	-------

Package 2 Width	30 cm
------------------------	-------

Package 2 Length	40 cm
-------------------------	-------

Package 2 Weight	9.218 kg
-------------------------	----------

Unit Type of Package 3	PAL
-------------------------------	-----

Number of Units in Package 3	288
-------------------------------------	-----

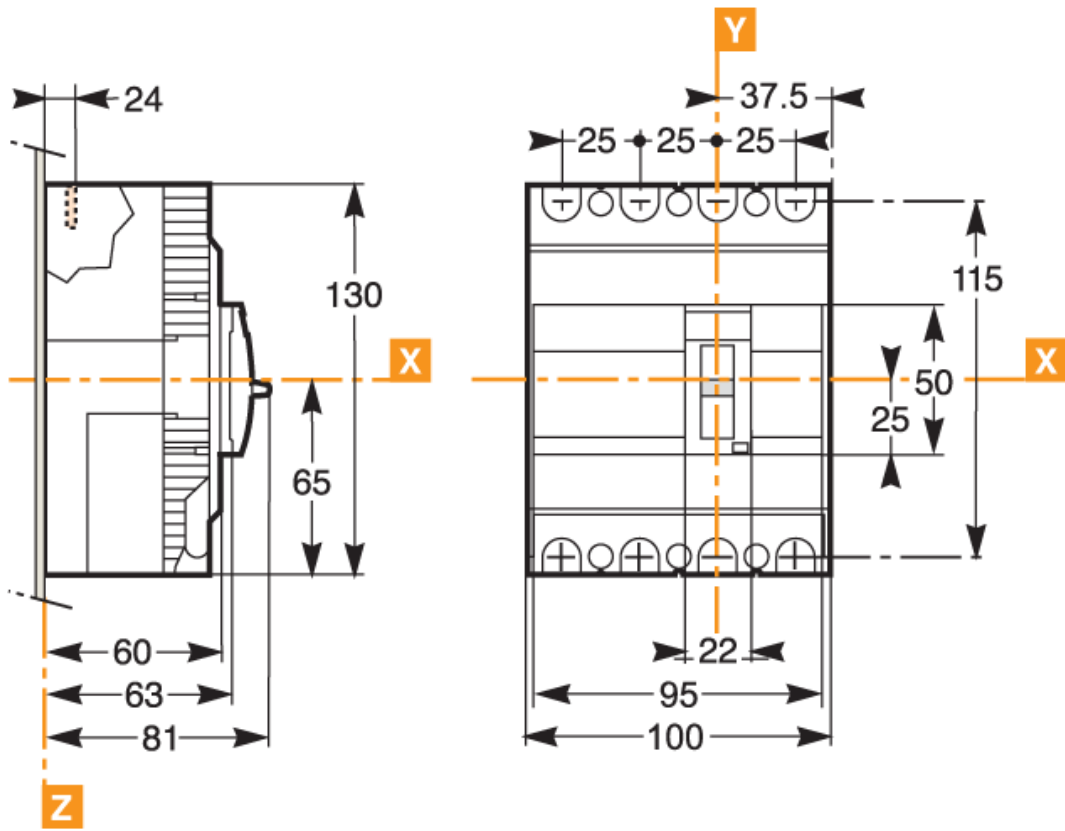
Package 3 Height	80 cm
Package 3 Width	120 cm
Package 3 Length	288 cm
Package 3 Weight	293.76 kg

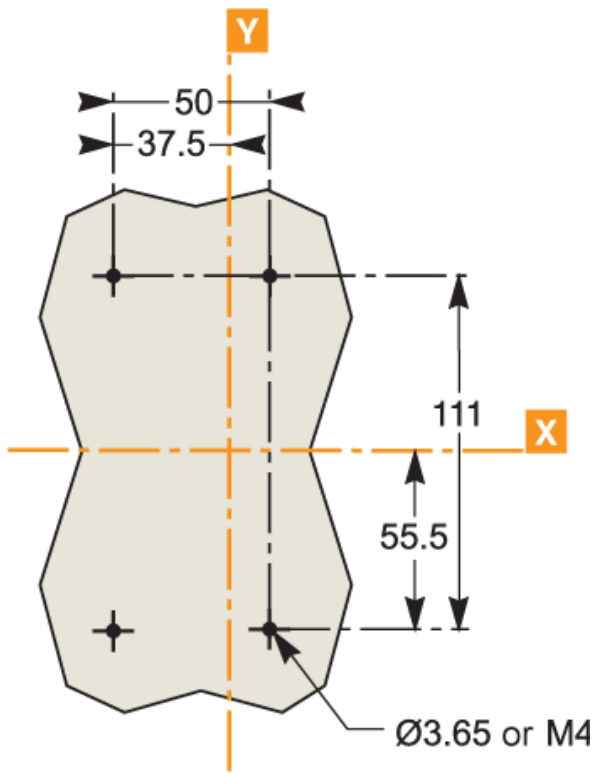
Offer Sustainability

Sustainable offer status	Green Premium product
REACH Regulation	REACH Declaration
REACH free of SVHC	Yes
EU RoHS Directive	Compliant EU RoHS Declaration
Toxic heavy metal free	Yes
Mercury free	Yes
RoHS exemption information	Yes
China RoHS Regulation	China RoHS declaration
Environmental Disclosure	Product Environmental Profile
WEEE	The product must be disposed on European Union markets following specific waste collection and never end up in rubbish bins

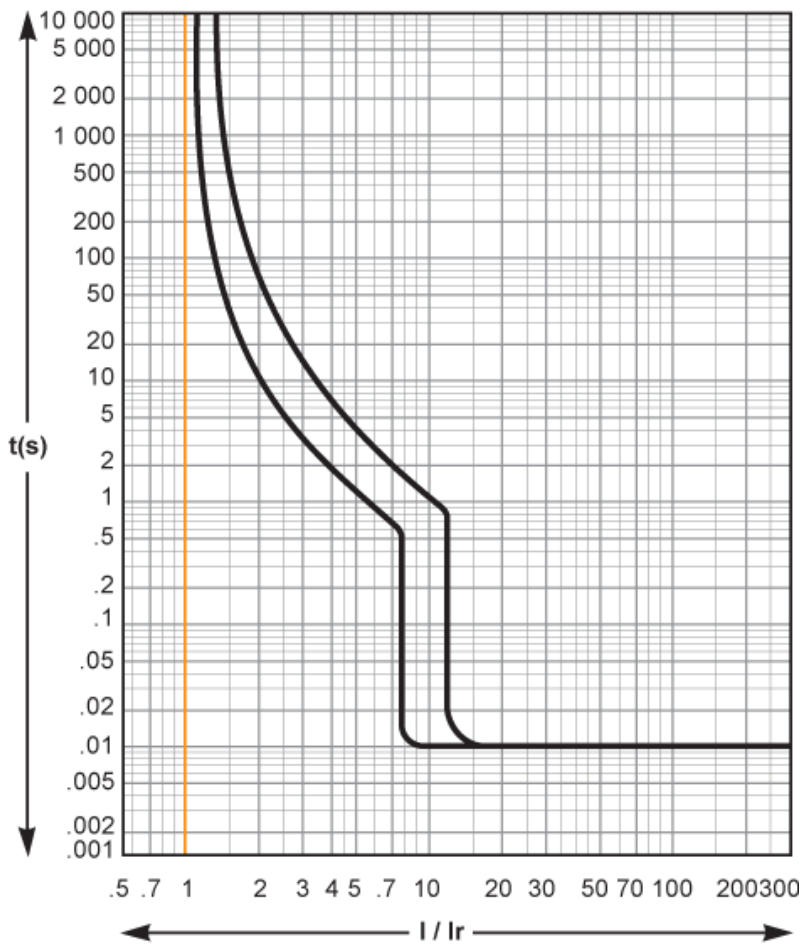
Contractual warranty

Warranty	18 months
----------	-----------





Performance Curves



Recommended replacement(s)