

# Product data sheet

Specifications



## circuit breaker, EasyPact Ezc100N, TMD, 63A, 4 poles 3d

Ezc100N4063

### Main

|  |   |
|--|---|
| Range of product                       | EasyPact  |
| Product or component type              | Circuit breaker   |
| Device short name                      | Easypact Ezc100N  |
| Circuit breaker name                   | Easypact Ezc100N  |
| Device application                     | Distribution  |
| Poles description                      | 4P  |
| Protected poles description            | 3t  |
| Network type                           | AC<br>DC  |
| Network frequency                      | 50/60 Hz  |
| [In] rated current                     | 63 A at 40 °C   |
| [Ui] rated insulation voltage          | 690 V AC 50/60 Hz conforming to IEC 60947-2   |
| [Uimp] rated impulse withstand voltage | 6 kV conforming to IEC 60947-2  |
| [Ue] rated operational voltage         | 550 V AC 50/60 Hz conforming to IEC 60947-2<br>250 V DC conforming to IEC 60947-2   |
| Breaking capacity code                 | N   |
| Breaking capacity                      | 10 kA Icu at 440 V AC 50/60 Hz conforming to IEC 60947-2<br>25 kA Icu at 110...130 V AC 50/60 Hz conforming to IEC 60947-2<br>25 kA Icu at 220...240 V AC 50/60 Hz conforming to IEC 60947-2<br>5 kA Icu at 125 V DC 1P conforming to IEC 60947-2<br>5 kA Icu at 250 V DC 2P conforming to IEC 60947-2<br>5 kA Icu at 550 V AC 50/60 Hz conforming to IEC 60947-2<br>15 kA Icu at 415 V AC 50/60 Hz conforming to IEC 60947-2<br>18 kA Icu at 380...400 V AC 50/60 Hz conforming to IEC 60947-2 |
| [Ics] rated service breaking capacity  | 5 kA at 440 V AC 50/60 Hz conforming to IEC 60947-2<br>2.5 kA at 125 V DC conforming to IEC 60947-2<br>2.5 kA at 250 V DC conforming to IEC 60947-2<br>2.5 kA at 550 V AC 50/60 Hz conforming to IEC 60947-2<br>12.5 kA at 220...240 V AC 50/60 Hz conforming to IEC 60947-2<br>12.5 kA at 110...130 V AC 50/60 Hz conforming to IEC 60947-2<br>9 kA at 380...400 V AC 50/60 Hz conforming to IEC 60947-2<br>7.5 kA at 415 V AC 50/60 Hz conforming to IEC 60947-2                              |
| Suitability for isolation              | Yes conforming to IEC 60947-2   |
| Utilisation category                   | Category A  |
| Trip unit name                         | TM-D  |
| Trip unit technology                   | Thermal-magnetic  |
| Trip unit rating                       | 63 A at 50 °C   |

|                        |   |
|------------------------|---|
| <b>Protection type</b> | Short-circuit protection<br>Overload protection |
|------------------------|---|

|                         |                           |
|-------------------------|---------------------------|
| <b>Pollution degree</b> | 3 conforming to IEC 60947 |
|-------------------------|---------------------------|

## Complementary

|                     |        |
|---------------------|--------|
| <b>Control type</b> | Toggle |
|---------------------|--------|

|                      |       |
|----------------------|-------|
| <b>Mounting mode</b> | Fixed |
|----------------------|-------|

|                         |           |
|-------------------------|-----------|
| <b>Mounting support</b> | Backplate |
|-------------------------|-----------|

|                          |       |
|--------------------------|-------|
| <b>Upside connection</b> | Front |
|--------------------------|-------|

|                            |       |
|----------------------------|-------|
| <b>Downside connection</b> | Front |
|----------------------------|-------|

|                              |             |
|------------------------------|-------------|
| <b>Mechanical durability</b> | 8500 cycles |
|------------------------------|-------------|

|                              |   |
|------------------------------|---|
| <b>Electrical durability</b> | Category A: 1500 cycles 415 V AC 50/60 Hz conforming to IEC 60947-2 |
|------------------------------|---|

|                         |       |
|-------------------------|-------|
| <b>Connection pitch</b> | 25 mm |
|-------------------------|-------|

|                         |                             |
|-------------------------|-----------------------------|
| <b>Local signalling</b> | Positive contact indication |
|-------------------------|-----------------------------|

|                                   |                    |
|-----------------------------------|--------------------|
| <b>Neutral protection setting</b> | Without protection |
|-----------------------------------|--------------------|

|                                 |         |
|---------------------------------|---------|
| <b>Earth-leakage protection</b> | Without |
|---------------------------------|---------|

|               |        |
|---------------|--------|
| <b>Height</b> | 130 mm |
|---------------|--------|

|              |        |
|--------------|--------|
| <b>Width</b> | 100 mm |
|--------------|--------|

|              |       |
|--------------|-------|
| <b>Depth</b> | 60 mm |
|--------------|-------|

## Environment

|                  |   |
|------------------|---|
| <b>Standards</b> | JIS C8201-2-2<br>EN/IEC 60947-1<br>EN/IEC 60947-2<br>GB/T 14048.2 |
|------------------|---|

|                                |                              |
|--------------------------------|------------------------------|
| <b>IP degree of protection</b> | IP20 conforming to IEC 60529 |
|--------------------------------|------------------------------|

|                                |                             |
|--------------------------------|-----------------------------|
| <b>IK degree of protection</b> | IK07 conforming to EN 50102 |
|--------------------------------|-----------------------------|

|  |             |
|--|-------------|
| <b>Ambient air temperature for operation</b> | -25...70 °C |
|--|-------------|

|  |             |
|--|-------------|
| <b>Ambient air temperature for storage</b> | -35...85 °C |
|--|-------------|

## Packing Units

|                               |     |
|-------------------------------|-----|
| <b>Unit Type of Package 1</b> | PCE |
|-------------------------------|-----|

|                                     |   |
|-------------------------------------|---|
| <b>Number of Units in Package 1</b> | 1 |
|-------------------------------------|---|

|                         |        |
|-------------------------|--------|
| <b>Package 1 Height</b> | 9.5 cm |
|-------------------------|--------|

|                        |         |
|------------------------|---------|
| <b>Package 1 Width</b> | 10.8 cm |
|------------------------|---------|

|                         |         |
|-------------------------|---------|
| <b>Package 1 Length</b> | 14.0 cm |
|-------------------------|---------|

|                         |          |
|-------------------------|----------|
| <b>Package 1 Weight</b> | 1.012 kg |
|-------------------------|----------|

|                               |     |
|-------------------------------|-----|
| <b>Unit Type of Package 2</b> | S02 |
|-------------------------------|-----|

|                                     |   |
|-------------------------------------|---|
| <b>Number of Units in Package 2</b> | 9 |
|-------------------------------------|---|

|                         |         |
|-------------------------|---------|
| <b>Package 2 Height</b> | 15.0 cm |
|-------------------------|---------|

|                        |         |
|------------------------|---------|
| <b>Package 2 Width</b> | 30.0 cm |
|------------------------|---------|

|                         |         |
|-------------------------|---------|
| <b>Package 2 Length</b> | 40.0 cm |
|-------------------------|---------|

|                         |          |
|-------------------------|----------|
| <b>Package 2 Weight</b> | 9.563 kg |
|-------------------------|----------|

|                               |     |
|-------------------------------|-----|
| <b>Unit Type of Package 3</b> | P12 |
|-------------------------------|-----|

|                                     |     |
|-------------------------------------|-----|
| <b>Number of Units in Package 3</b> | 288 |
|-------------------------------------|-----|

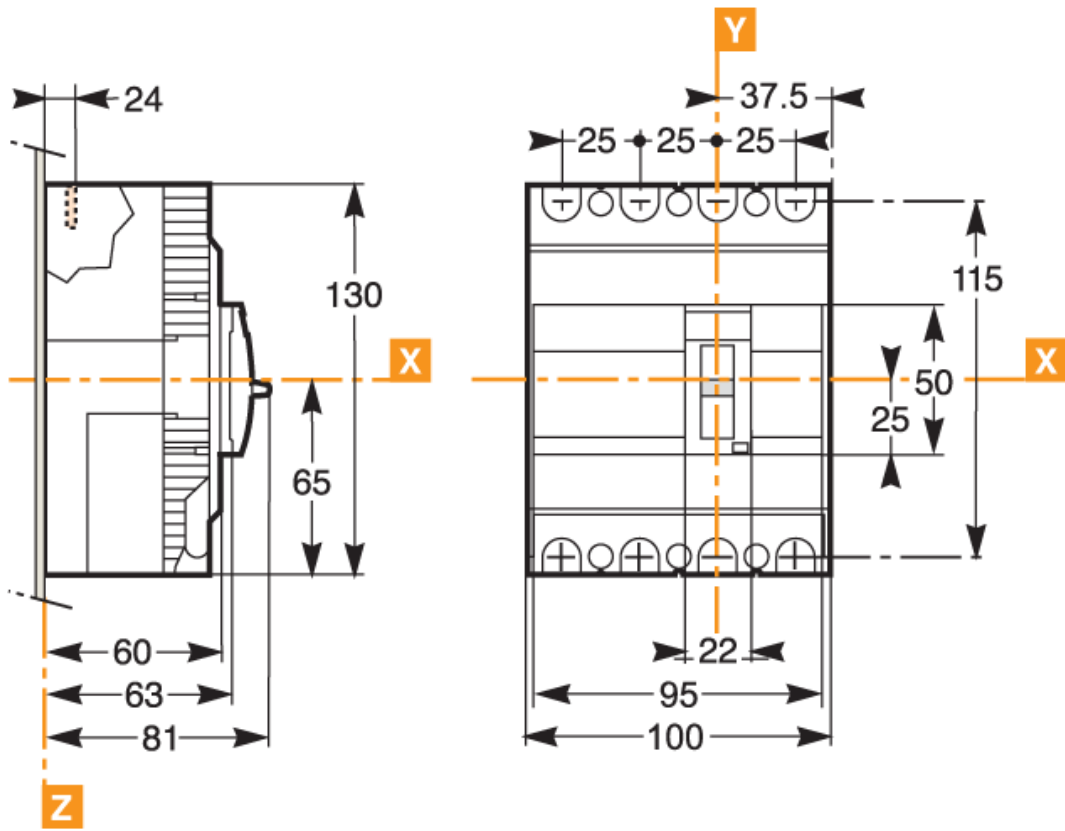
|                  |        |
|------------------|--------|
| Package 3 Height | 75 cm  |
| Package 3 Width  | 120 cm |
| Package 3 Length | 80 cm  |
| Package 3 Weight | 316 kg |

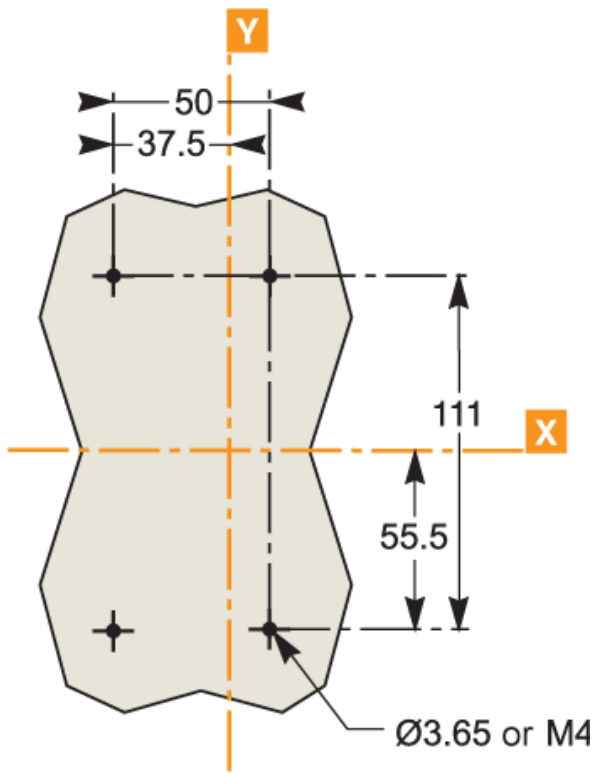
## Offer Sustainability

|                            |   |
|----------------------------|---|
| Sustainable offer status   | Green Premium product   |
| REACH Regulation           | <a href="#">REACH Declaration</a>   |
| REACH free of SVHC         | Yes   |
| EU RoHS Directive          | Compliant<br><a href="#">EU RoHS Declaration</a>  |
| Toxic heavy metal free     | Yes   |
| Mercury free               | Yes   |
| China RoHS Regulation      | <a href="#">China RoHS declaration</a>  |
| RoHS exemption information | Yes   |
| Environmental Disclosure   | <a href="#">Product Environmental Profile</a>   |
| WEEE                       | The product must be disposed on European Union markets following specific waste collection and never end up in rubbish bins |

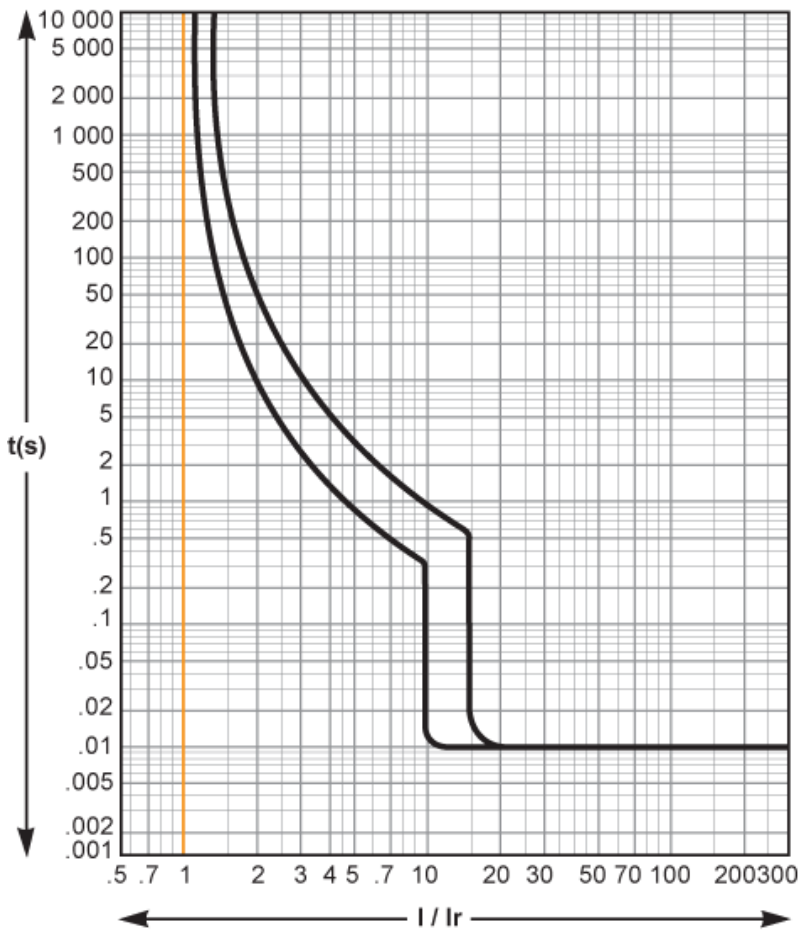
## Contractual warranty

|          |           |
|----------|-----------|
| Warranty | 18 months |
|----------|-----------|





Performance Curves



Recommended replacement(s)