

# Product data sheet

Specifications



circuit breaker EasyPact CVS400F,  
36 kA at 415 VAC, 400 A rating  
thermal magnetic TM-D trip unit, 4P  
3d

LV540309

## Main

|  |  |
|--|--|
| Range                                  | EasyPact   |
| Product name                           | EasyPact CVS   |
| Device short name                      | CVS400F  |
| Product or component type              | Circuit breaker  |
| Device application                     | Distribution   |
| Poles description                      | 4P   |
| Protected poles description            | 3D   |
| Earth leakage protection (Vigi add on) | Without  |
| [In] rated current                     | 400 A at 40 °C   |
| Network type                           | AC   |
| Utilisation category                   | Category A   |
| [Icu] Breaking capacity                | 40 kA Icu at 220/240 V AC 50/60 Hz conforming to IEC 60947-2<br>36 kA Icu at 380/415 V AC 50/60 Hz conforming to IEC 60947-2<br>30 kA Icu at 440 V AC 50/60 Hz conforming to IEC 60947-2 |
| Trip unit name                         | TM-D   |
| Trip unit technology                   | Thermal-magnetic   |
| Trip unit rating                       | 400 A at 40 °C   |
| Protection type                        | Short-circuit protection (magnetic)<br>Overload protection (thermal)   |

## Complementary

|  |  |
|--|--|
| [Uimp] rated impulse withstand voltage | 8 kV conforming to EN/IEC 60947-2  |
| Network frequency                      | 50/60 Hz   |
| Breaking capacity code                 | F  |
| [Ics] rated service breaking capacity  | 40 kA at 220/240 V AC 50/60 Hz conforming to IEC 60947-2<br>36 kA at 380/415 V AC 50/60 Hz conforming to IEC 60947-2<br>23 kA at 440 V AC 50/60 Hz conforming to IEC 60947-2 |
| Neutral position                       | Left   |
| Mechanical durability                  | 15000 cycles   |
| Electrical durability                  | 6000 cycles 415 V In conforming to IEC 60947-2   |
| Control type                           | Toggle   |

|   |                    |
|---|--------------------|
| <b>Thermal protection adjustment range</b>      | 280...400 A        |
| <b>Neutral protection setting</b>               | No protection (3D) |
| <b>Long time pick-up adjustment type Ir</b>     | Adjustable         |
| <b>Long time pick-up adjustment range</b>       | 0.7...1 x In       |
| <b>Long time delay adjustment type</b>          | Fixed              |
| <b>Instantaneous pick-up adjustment type li</b> | Adjustable         |
| <b>Instantaneous pick-up adjustment range</b>   | 5...10 x In        |
| <b>Contact position indicator</b>               | Yes                |
| <b>Mounting mode</b>                            | Fixed              |
| <b>Mounting support</b>                         | Backplate          |
| <b>Upside connection</b>                        | Front              |
| <b>Downside connection</b>                      | Front              |
| <b>Connections - terminals</b>                  | Screw connection   |
| <b>Connection pitch</b>                         | 45 mm              |
| <b>Compatibility code</b>                       | CVS400             |
| <b>Width</b>                                    | 185 mm             |
| <b>Depth</b>                                    | 110 mm             |
| <b>Height</b>                                   | 255 mm             |
| <b>Net weight</b>                               | 6.3 kg             |

## Environment

|  |                             |
|--|-----------------------------|
| <b>Standards</b>                             | EN 60947-2<br>IEC 60947-2   |
| <b>Product certifications</b>                | GOST<br>IEC                 |
| <b>Electrical shock protection class</b>     | Class II                    |
| <b>Pollution degree</b>                      | 3 conforming to IEC 60664-1 |
| <b>IP degree of protection</b>               | IP40                        |
| <b>Ambient air temperature for operation</b> | -25...70 °C                 |
| <b>Ambient air temperature for storage</b>   | -50...85 °C                 |

## Packing Units

|                                     |         |
|-------------------------------------|---------|
| <b>Unit Type of Package 1</b>       | PCE     |
| <b>Number of Units in Package 1</b> | 1       |
| <b>Package 1 Height</b>             | 14.7 cm |
| <b>Package 1 Width</b>              | 20.0 cm |
| <b>Package 1 Length</b>             | 28.9 cm |
| <b>Package 1 Weight</b>             | 6.51 kg |
| <b>Unit Type of Package 2</b>       | S04     |
| <b>Number of Units in Package 2</b> | 3       |

|                  |          |
|------------------|----------|
| Package 2 Height | 30.0 cm  |
| Package 2 Width  | 40.0 cm  |
| Package 2 Length | 60.0 cm  |
| Package 2 Weight | 20.29 kg |

## Offer Sustainability

|                            |   |
|----------------------------|---|
| Sustainable offer status   | Green Premium product   |
| REACH Regulation           | <a href="#">REACH Declaration</a>   |
| EU RoHS Directive          | Compliant<br><a href="#">EU RoHS Declaration</a>  |
| Mercury free               | Yes   |
| China RoHS Regulation      | <a href="#">China RoHS declaration</a><br>Product out of China RoHS scope. Substance declaration for your information       |
| RoHS exemption information | Yes   |
| Environmental Disclosure   | <a href="#">Product Environmental Profile</a>   |
| Circularity Profile        | <a href="#">End of Life Information</a>   |
| WEEE                       | The product must be disposed on European Union markets following specific waste collection and never end up in rubbish bins |
| PVC free                   | Yes   |

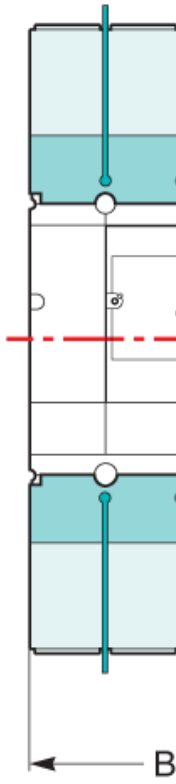
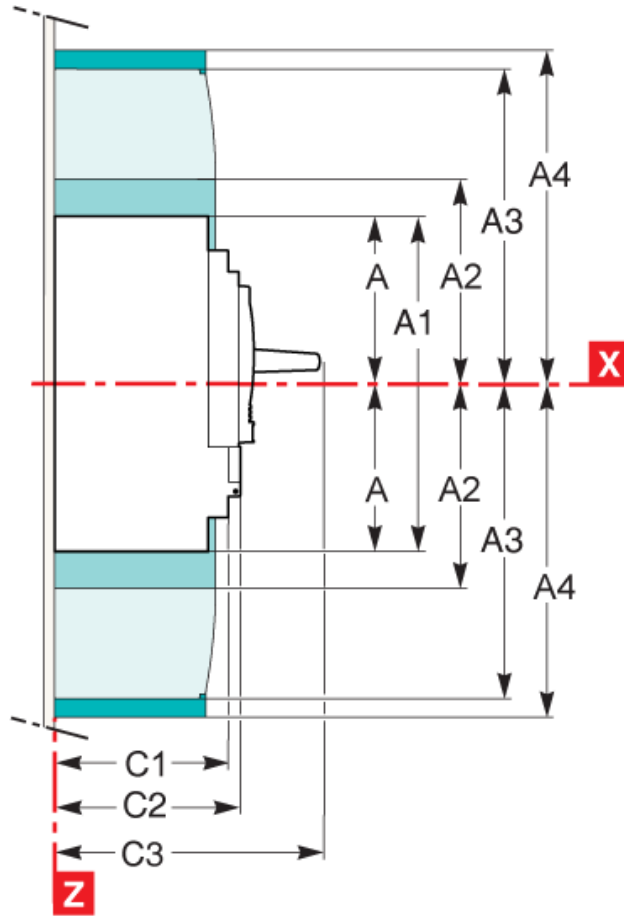
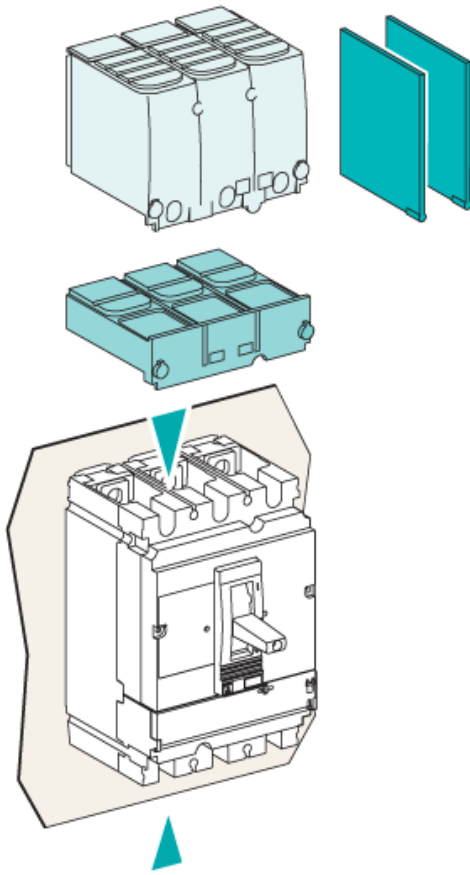
## Contractual warranty

|          |           |
|----------|-----------|
| Warranty | 18 months |
|----------|-----------|

# Product data sheet

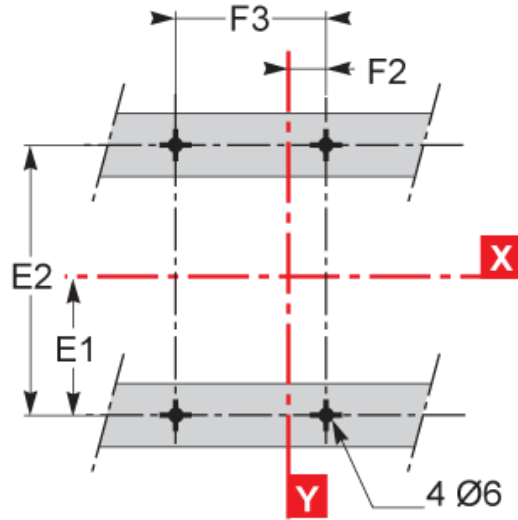
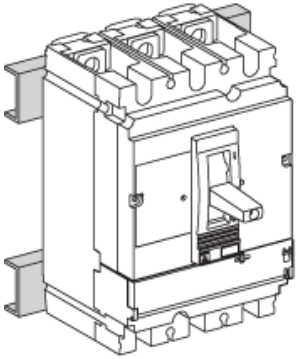
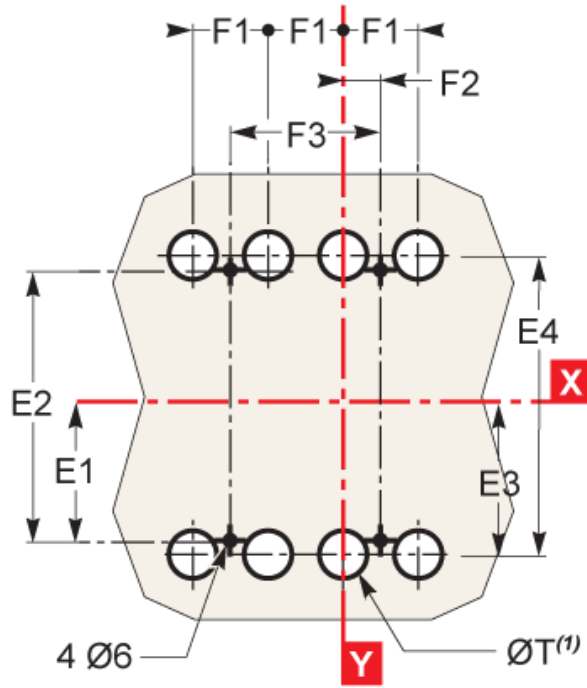
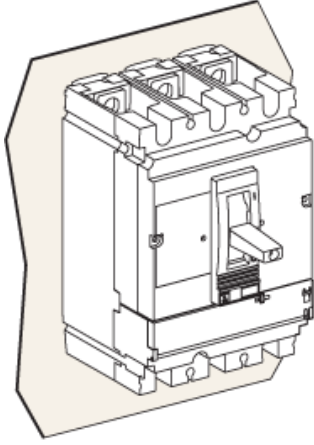
## Dimensions Drawings

# LV540309



| Type           | A     | A1    | A2    | A3    | A4    | A5    | A6  | A7    | A8   | A9    | B    | B1  | B2   | C1   | C2   | C3                 | E1   |
|----------------|-------|-------|-------|-------|-------|-------|-----|-------|------|-------|------|-----|------|------|------|--------------------|------|
| CVS100/160/250 | 80.5  | 161   | 94    | 145   | 178.5 | 155.5 | 236 | 169   | 220  | 253.5 | 52.5 | 105 | 140  | 81   | 86   | 111 <sup>(2)</sup> | 62.5 |
| CVS400/630     | 127.5 | 255   | 142.5 | 200   | 237   | 227.5 | 355 | 242.5 | 300  | 337   | 70   | 140 | 185  | 95.5 | 110  | 168                | 100  |
| Type           | E2    | E3    | E4    | E5    | E6    | E7    | E8  | F1    | F2   | F3    | G1   | G2  | G3   | G4   | G5   | G7                 | U    |
| CVS100/160/250 | 125   | 70    | 140   | 137.5 | 200   | 145   | 215 | 35    | 17.5 | 70    | 96   | 75  | 13.5 | 23   | 17.5 | 24                 | y 32 |
| CVS400/630     | 200   | 113.5 | 227   | 200   | 300   | 213.5 | 327 | 45    | 22.5 | 90    | -    | -   | -    | -    | -    | 32                 | y 35 |

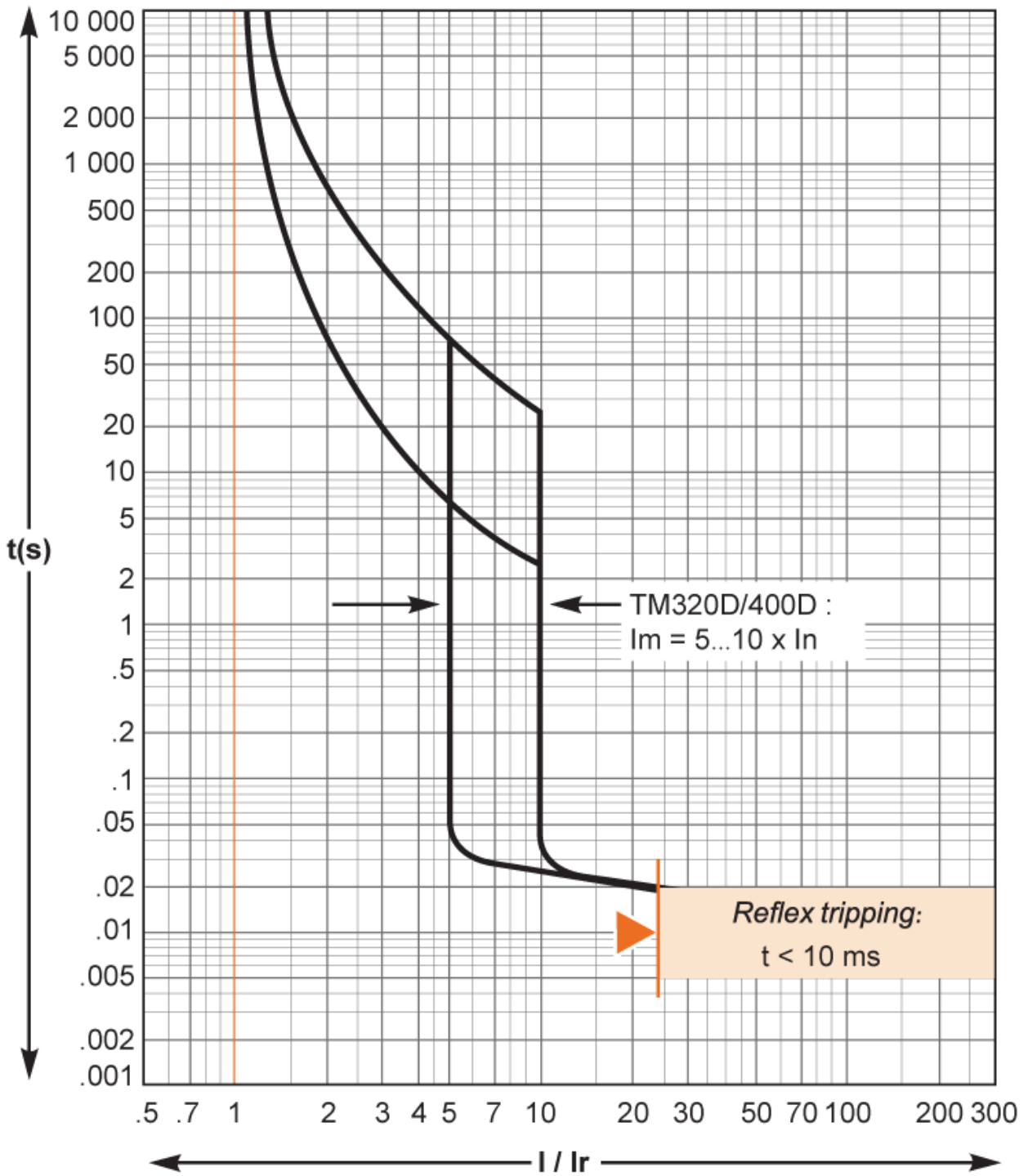
(2) C3=126mm for EasyPact CVS250B.F.



| Type           | A     | A1    | A2    | A3    | A4    | A5    | A6  | A7    | A8   | A9    | B    | B1  | B2   | C1   | C2   | C3                 | E1   |
|----------------|-------|-------|-------|-------|-------|-------|-----|-------|------|-------|------|-----|------|------|------|--------------------|------|
| CVS100/160/250 | 80.5  | 161   | 94    | 145   | 178.5 | 155.5 | 236 | 169   | 220  | 253.5 | 52.5 | 105 | 140  | 81   | 86   | 111 <sup>(2)</sup> | 62.5 |
| CVS400/630     | 127.5 | 255   | 142.5 | 200   | 237   | 227.5 | 355 | 242.5 | 300  | 337   | 70   | 140 | 185  | 95.5 | 110  | 168                | 100  |
| Type           | E2    | E3    | E4    | E5    | E6    | E7    | E8  | F1    | F2   | F3    | G1   | G2  | G3   | G4   | G5   | ØT                 | U    |
| CVS100/160/250 | 125   | 70    | 140   | 137.5 | 200   | 145   | 215 | 35    | 17.5 | 70    | 95   | 75  | 13.5 | 23   | 17.5 | 24                 | y 32 |
| CVS400/630     | 200   | 113.5 | 227   | 200   | 300   | 213.5 | 327 | 45    | 22.5 | 90    | -    | -   | -    | -    | -    | 32                 | y 35 |

(2) C3=126mm for EasyPact CVS250B.F.

Performance Curves



Recommended replacement(s)