

# Product data sheet

Specifications



Pilot light 3 phases Voltage, Harmony XB5, indicator with 3 LED, red, green, yellow, 400V AC

XB5EV57K4

## Main

|                               |                        |
|-------------------------------|------------------------|
| Range of product              | Harmony XB5            |
| Product or component type     | Monolithic pilot light |
| Device short name             | XB5                    |
| Bezel material                | Plastic                |
| Fixing collar material        | Plastic                |
| Mounting diameter             | 30 mm                  |
| Sale per indivisible quantity | 1                      |
| Shape of signaling unit head  | Round                  |
| Cap/Operator or lens colour   | Clear                  |
| Light source                  | Protected LED          |
| Bulb base                     | Integral LED           |
| Light source colour           | Green<br>Red<br>Yellow |
| Network number of phases      | 3 phases               |
| Device presentation           | Monolithic product     |

## Complementary

|  |  |
|--|--|
| Height                                 | 65.5 mm  |
| Width                                  | 36 mm  |
| Depth                                  | 77 mm  |
| Net weight                             | 0.065 kg   |
| Connections - terminals                | Faston terminals, connection size: 6.3 mm conforming to EN/IEC 60947-1 |
| [Uimp] rated impulse withstand voltage | 1 kV conforming to IEC 61000-4-5                                       |
| Compatibility code                     | XB5  |
| Supply voltage limits                  | 450 V AC   |
| Current consumption                    | 2.6 mA   |
| Service life                           | 100000 h at rated voltage and 25 °C                                    |
| Surge withstand                        | 1 kV conforming to IEC 61000-4-5                                       |

## Environment

|                                       |  |
|---------------------------------------|--|
| Ambient air temperature for storage   | -40...70 °C  |
| Ambient air temperature for operation | -30...70 °C  |
| IP degree of protection               | IP67 (front face)<br>IP20 (back face)  |
| IK degree of protection               | IK10 conforming to IEC 50102   |
| Standards                             | EN/IEC 60947-5-1<br>EN/IEC 60947-1<br>EN/IEC 60947-5-4   |
| Resistance to fast transients         | 2 kV conforming to IEC 61000-4-4   |
| Resistance to electromagnetic fields  | 10 V/m conforming to IEC 61000-4-3   |
| Electromagnetic compatibility         | Electrostatic discharge - test level: 8 kV (in free air (in insulating parts)) conforming to IEC 61000-4-2<br>Electrostatic discharge - test level: 4 kV (on contact (on metal parts)) conforming to IEC 61000-4-2 |

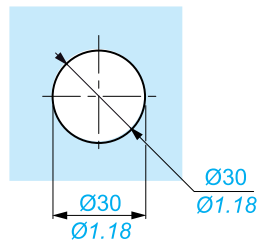
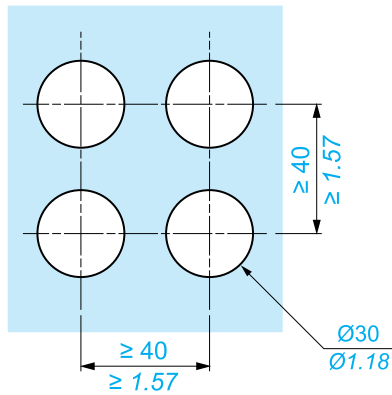
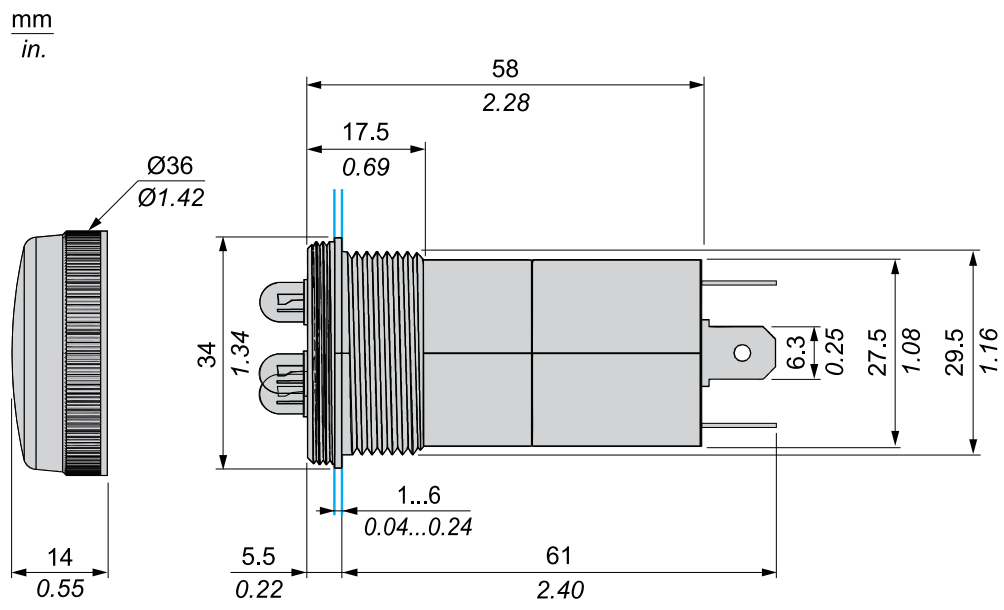
## Packing Units

|                              |          |
|------------------------------|----------|
| Unit Type of Package 1       | PCE      |
| Number of Units in Package 1 | 1        |
| Package 1 Height             | 4.1 cm   |
| Package 1 Width              | 4.5 cm   |
| Package 1 Length             | 8.0 cm   |
| Package 1 Weight             | 60.0 g   |
| Unit Type of Package 2       | S01      |
| Number of Units in Package 2 | 50       |
| Package 2 Height             | 15.0 cm  |
| Package 2 Width              | 15.0 cm  |
| Package 2 Length             | 40.0 cm  |
| Package 2 Weight             | 3.359 kg |

## Offer Sustainability

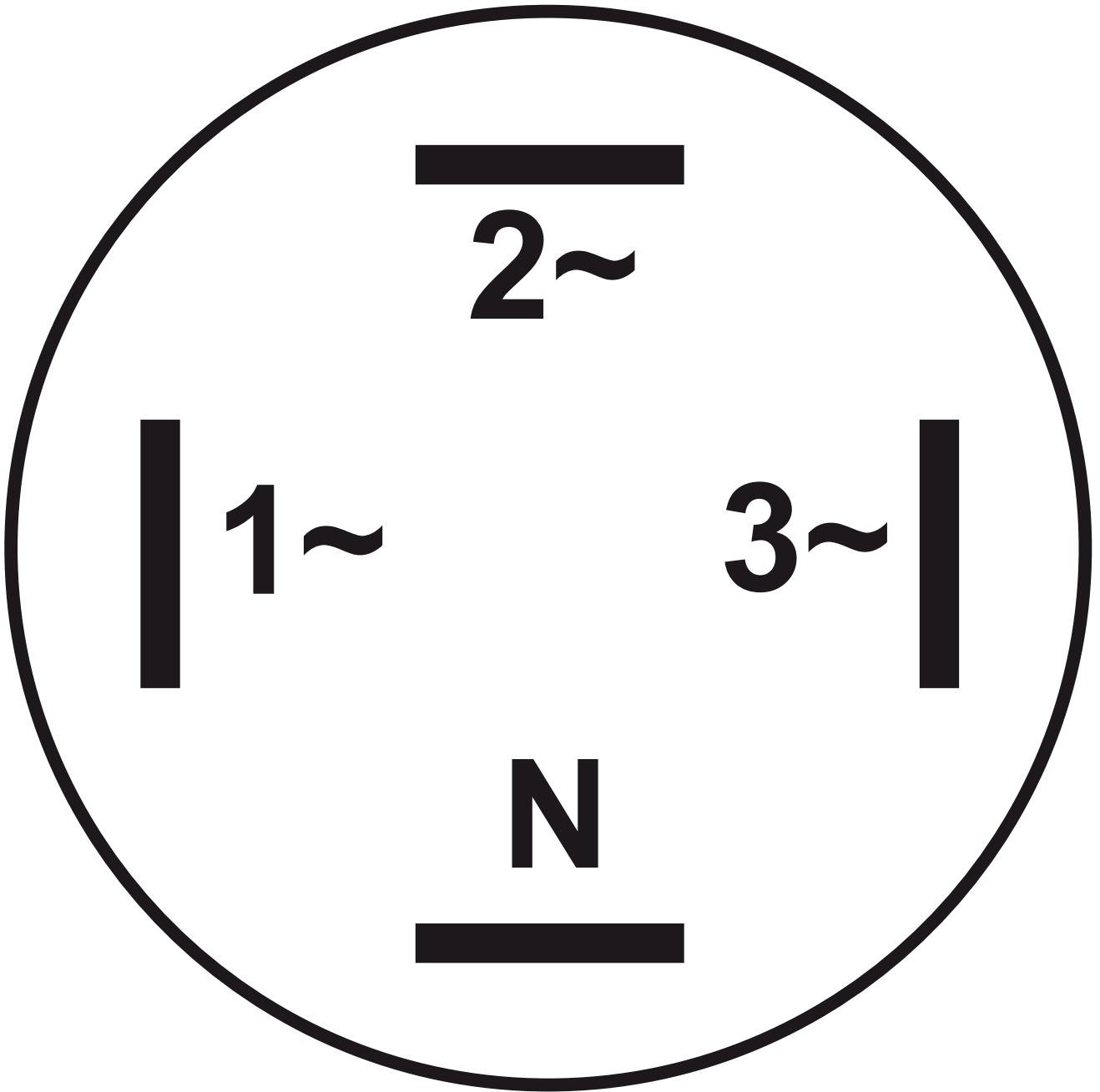
|                            |   |
|----------------------------|---|
| Sustainable offer status   | Green Premium product   |
| REACH Regulation           | <a href="#">REACH Declaration</a>   |
| EU RoHS Directive          | Pro-active compliance (Product out of EU RoHS legal scope)<br><a href="#">EU RoHS Declaration</a>   |
| Mercury free               | Yes   |
| China RoHS Regulation      | <a href="#">China RoHS declaration</a>  |
| RoHS exemption information | <a href="#">Yes</a>   |
| Environmental Disclosure   | <a href="#">Product Environmental Profile</a>   |
| Circularity Profile        | <a href="#">End of Life Information</a>   |
| WEEE                       | The product must be disposed on European Union markets following specific waste collection and never end up in rubbish bins   |
| California proposition 65  | WARNING: This product can expose you to chemicals including: Lead and lead compounds, which is known to the State of California to cause cancer and birth defects or other reproductive harm. For more information go to <a href="http://www.P65Warnings.ca.gov">www.P65Warnings.ca.gov</a> |

Dimensions



Wiring Diagram

---



Recommended replacement(s)