

# Product data sheet

Specifications



## Electronic pressure sensors, Pressure sensors XM, sensor XMLK, 0...6 bar, G 1/4 A, 4...20 mA, DIN, set of 1

XMLK006B2C21

### Main

Range of product	OsiSense XM
Product or component type	Electronic pressure sensors
Pressure sensor type	Pressure transmitter
Pressure sensor name	XMLK
Electrical circuit type	Control circuit
Pressure rating	6 bar
Local display	Without
Controlled fluid	Air (0...80 °C) Fresh water (0...80 °C)
Fluid connection type	G 1/4A (male) conforming to DIN 3852-E
Electrical connection	1 male connector EN 175301-803-A (ex DIN43650) 4 pins
[Us] rated supply voltage	24 V DC SELV (voltage limits: 8...33 V)
Current consumption	< 20 mA
Type of output signal	Analogue
Analogue output function	4...20 mA, 2-wire
Quantity per set	Set of 1
Type of packing	Individual

### Complementary

Pressure setting range	0...6 bar
Maximum permissible accidental pressure	12 bar
Destruction pressure	18 bar
Materials in contact with fluid	Stainless steel type AISI 303 Nitrile (NBR) Ceramic
Operating position	Any position
Protection type	Reverse polarity Load short-circuit
Electromagnetic compatibility	Electrostatic discharge immunity test conforming to EN/IEC 61000-4-2 8 kV air, 6 kV contact Susceptibility to electromagnetic fields conforming to EN/IEC 61000-4-3 10 V/m 80...1000 MHz Electrical fast transient/burst immunity test conforming to EN/IEC 61000-4-4 2 kV 1.2/50 µs shock waves immunity test conforming to EN/IEC 61000-4-5 500 V 12 Ohm, 1 kV 42 Ohm Radiated RF fields conforming to EN/IEC 61000-4-6 10 V 0.15...80 MHz

<b>[Uimp] rated impulse withstand voltage</b>	0.5 kV
<b>Response time on output</b>	< 5 ms
<b>Measurement accuracy</b>	+/- 1 % of the measuring range
<b>Resolution</b>	0.1 % of the measuring range
<b>Drift of the sensitivity</b>	+/- 0.04 % of measuring range/°K
<b>Drift of the zero point</b>	+/- 0.03 % of measuring range/°K
<b>Long term stability</b>	+/- 1 % of the measuring range
<b>Mechanical durability</b>	10000000 cycles
<b>Net weight</b>	0.11 kg
<b>Diameter</b>	36 mm
<b>Length</b>	67.5 mm
<b>Scale type</b>	Fixed differential

## Environment

<b>Standards</b>	EN/IEC 61326-2-3 CE
<b>Product certifications</b>	RCM UL 508 CSA C22.2 No 14 EAC
<b>Protective treatment</b>	TC
<b>Ambient air temperature for operation</b>	0...80 °C
<b>Ambient air temperature for storage</b>	-25...80 °C
<b>Vibration resistance</b>	20 gn (f = 9...2000 Hz) conforming to EN/IEC 60068-2-6
<b>Shock resistance</b>	25 gn for 11 ms conforming to EN/IEC 60068-2-27
<b>IP degree of protection</b>	IP65 conforming to EN/IEC 60529
<b>NEMA degree of protection</b>	NEMA 4

## Packing Units

<b>Unit Type of Package 1</b>	PCE
<b>Number of Units in Package 1</b>	1
<b>Package 1 Weight</b>	132.0 g
<b>Package 1 Height</b>	6.6 cm
<b>Package 1 width</b>	4.1 cm
<b>Package 1 Length</b>	9.5 cm
<b>Unit Type of Package 2</b>	S01
<b>Number of Units in Package 2</b>	24
<b>Package 2 Weight</b>	3.358 kg
<b>Package 2 Height</b>	15.0 cm
<b>Package 2 width</b>	15.0 cm
<b>Package 2 Length</b>	40.0 cm

## Offer Sustainability

---

REACH Regulation	<a href="#">REACH Declaration</a>
REACH free of SVHC	Yes
EU RoHS Directive	Pro-active compliance (Product out of EU RoHS legal scope) <a href="#">EU RoHS Declaration</a>
Mercury free	Yes
RoHS exemption information	<a href="#">Yes</a>
California proposition 65	WARNING: This product can expose you to chemicals including: Diisononyl phthalate (DINP), which is known to the State of California to cause cancer, and Di-isodecyl phthalate (DIDP), which is known to the State of California to cause birth defects or other reproductive harm. For more information go to <a href="http://www.P65Warnings.ca.gov">www.P65Warnings.ca.gov</a>

---

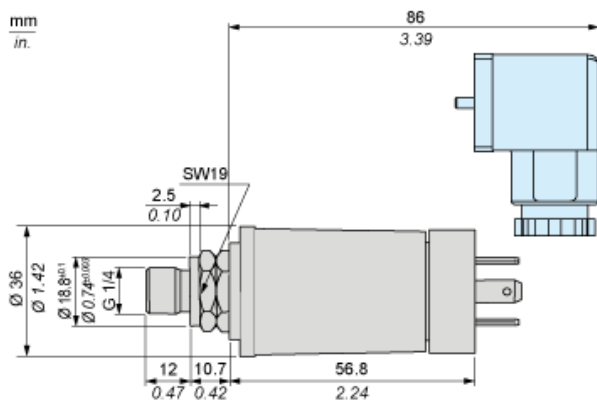
## Contractual warranty

---

Warranty	18 months
----------	-----------

---

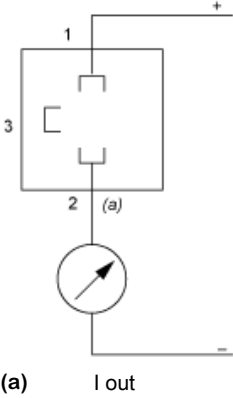
Dimensions



Wiring Diagram

---

2-Wire Technique (4-20 mA)



(a)

I out

Output Curves

---

