

# Product data sheet

Specifications



Electronic pressure sensors,  
Pressure sensors XM, transmitter,  
XMLP, 10 bar, G1/4 A male, 4...20  
mA, M12, set of 1

XMLP010BD21F

## Main

Range of product	Telemecanique Pressure sensors XM
Product or component type	Electronic pressure sensors
Pressure sensor type	Pressure transmitter
Pressure sensor name	XMLP
Electrical circuit type	Control circuit
Pressure rating	10 bar
Local display	Without
Controlled fluid	Air (-30...135 °C) Fresh water (0...135 °C) Hydraulic oil (-30...135 °C) Gas (-30...135 °C) Refrigeration fluid (-30...135 °C)
Fluid connection type	G 1/4A (male) conforming to DIN 3852-E
Electrical connection	1 male connector M12 4 pins
[Us] rated supply voltage	12...24 V DC SELV (voltage limits: 7...33 V)
Current consumption	< 23 mA
Type of output signal	Analogue
Analogue output function	4...20 mA, 2-wire
Quantity per set	Set of 1
Type of packing	Individual

## Complementary

Pressure setting range	0...10 bar
Maximum permissible accidental pressure	30 bar
Destruction pressure	60 bar
Materials in contact with fluid	Stainless steel AISI 316L Fluorocarbon FPM
Operating position	Any position
Protection type	Load short-circuit Reverse polarity
Electromagnetic compatibility	Electrostatic discharge immunity test conforming to EN/IEC 61000-4-2 8 kV air, 4 kV contact 1.2/50 µs shock waves immunity test conforming to EN/IEC 61000-4-5 1 kV 42 Ohm Immunity to magnetic fields conforming to EN/IEC 61000-4-8 100 A/m 50 Hz Electrical fast transient/burst immunity test conforming to EN/IEC 61000-4-4 4 kV

<b>[Uimp] rated impulse withstand voltage</b>	0.5 kV
<b>Response time on output</b>	<= 2 ms 10...90 % of full scale
<b>Measurement accuracy</b>	+/- 0.5 % of the measuring range
<b>Resolution</b>	0.1 % of the measuring range
<b>Drift of the sensitivity</b>	+/- 0.02 % of measuring range/°K
<b>Drift of the zero point</b>	+/- 0.02 % of measuring range/°K
<b>Mechanical durability</b>	10000000 cycles
<b>Net weight</b>	0.09 kg
<b>Diameter</b>	26 mm
<b>Length</b>	38.1 mm

## Environment

<b>Standards</b>	EN/IEC 61326-2-3 NSF ANSI 61
<b>Product certifications</b>	RCM cULus CE EAC
<b>Protective treatment</b>	TC
<b>Ambient air temperature for operation</b>	-30...85 °C
<b>Ambient air temperature for storage</b>	-50...100 °C
<b>Vibration resistance</b>	20 gn (f = 15...2000 Hz) conforming to EN/IEC 60068-2-6
<b>Shock resistance</b>	100 gn for 11 ms conforming to EN/IEC 60068-2-27
<b>IP degree of protection</b>	IP65 conforming to EN/IEC 60529 IP67 conforming to EN/IEC 60529 IP69K conforming to EN/IEC 60529

## Packing Units

<b>Unit Type of Package 1</b>	PCE
<b>Number of Units in Package 1</b>	1
<b>Package 1 Height</b>	4.2 cm
<b>Package 1 Width</b>	4.7 cm
<b>Package 1 Length</b>	8.7 cm
<b>Package 1 Weight</b>	94 g
<b>Unit Type of Package 2</b>	S01
<b>Number of Units in Package 2</b>	24
<b>Package 2 Height</b>	15 cm
<b>Package 2 Width</b>	15 cm
<b>Package 2 Length</b>	40 cm
<b>Package 2 Weight</b>	2.429 kg

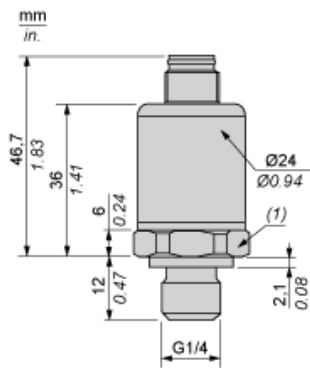
## Offer Sustainability

<b>Sustainable offer status</b>	Green Premium product
<b>REACH Regulation</b>	<a href="#">REACH Declaration</a>

<b>EU RoHS Directive</b>	Pro-active compliance (Product out of EU RoHS legal scope) <a href="#">EU RoHS Declaration</a>
<b>Mercury free</b>	Yes
<b>RoHS exemption information</b>	Yes
<b>Environmental Disclosure</b>	<a href="#">Product Environmental Profile</a>
<b>California proposition 65</b>	WARNING: This product can expose you to chemicals including: Diisononyl phthalate (DINP), which is known to the State of California to cause cancer, and Di-isodecyl phthalate (DIDP), which is known to the State of California to cause birth defects or other reproductive harm. For more information go to <a href="http://www.P65Warnings.ca.gov">www.P65Warnings.ca.gov</a>

Dimensions

---

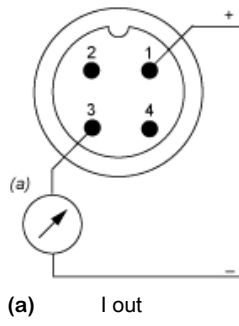


(1) SW24 tightening torque  $\leq 25$  N.m / 221 lb-in

**Wiring Diagram**

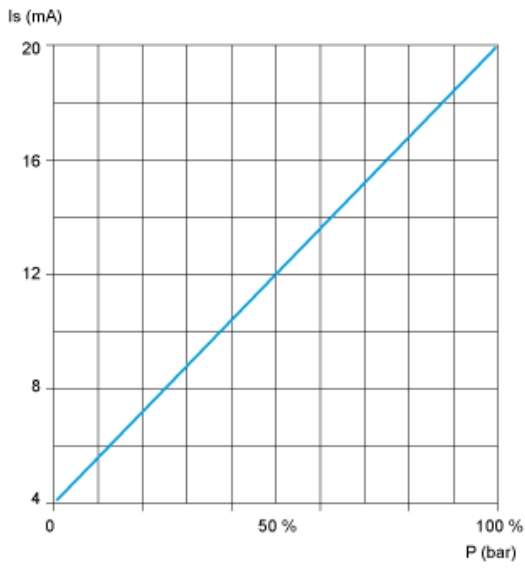
---

**2-Wire Technique (4-20 mA)**



**Curves**

---



**Recommended replacement(s)**