



Main

Range of product	Easergy P3
Product or component type	Protection relay
Relay application	Universal
Configuration type (Cortec)	P3U30-6AAA2BCAA
[Us] rated supply voltage	48...230 V AC/DC
Type of measurement	Current and voltage
Number of Digital Inputs (DI)	16.0
Digital outputs	8 1 watchdog
Communication protocols	DNP3 Modbus RTU IEC 61850 ed. 2 Modbus TCP IEC 61850 ed. 1 IEC 60870-5-101 IEC 60870-5-103 DNP3 over ethernet Ethernet/IP DeviceNet Profibus DP SPAbus RSTP redundancy protocol PRP redundancy protocol
Protection type	Cold load pick-up Switch ON to fault (SOTF) Phase overcurrent ANSI:50/51 Directional phase overcurrent ANSI:67 Earth fault overcurrent ANSI:50N/51N Directional earth fault ANSI:67N Transient earth fault ANSI:67NI Capacitor bank unbalance ANSI:2 Broken conductor ANSI:46 I2/I1 Breaker failure ANSI:50BF Directional active underpower ANSI:37P Recloser ANSI:79 Phase undercurrent ANSI:37

Disclaimer: This documentation is not intended as a substitute for and is not to be used for determining suitability or reliability of these products for specific user applications

Excessive starting time, locked rotor ANSI:48/51LR
 Motor restart inhibition ANSI:66
 Capacitor overvoltage ANSI:59C
 Negative sequence overcurrent ANSI:46
 Overvoltage ANSI:59
 Undervoltage ANSI:27
 Positive sequence undervoltage ANSI:27P
 Earth fault overvoltage ANSI:59N
 Underfrequency ANSI:81/81N
 Rate of change of frequency ANSI:81R
 Synchro-check ANSI:25
 Lockout relay ANSI:86
 H2 detection
 H5 detection
 Programmable stages ANSI:99
 Programmable curve

Type of measurement	Reactive energy Short circuit fault reactance Earth fault reactance RMS active power RMS reactive power RMS apparent power Cos ϕ Tan ϕ Power angle Voltage interruption Current 3-phase Current zero sequence Current positive sequence Current negative sequence Current ratio of negative and positive Voltage phase to earth Voltage phase to phase Voltage zero sequence Voltage positive sequence Voltage negative sequence Voltage ratio of negative and positive Current 2nd, 15th harmonics with THD Voltage 2nd, 15th harmonics with THD Phasor diagram of currents or voltages Condition monitoring CB wear Frequency Active power Power factor Active energy Reactive power Apparent power
Control type	Local control on single-line diagram Local control with I/O keys Local/Remote control 2 function keys Custom logic (logic equations) Mobile application Web-server Programmable switchgear interlocking Switchgear
Single line diagram	6 controlled + 2 monitored objects
Monitoring function	Trip circuit supervision ANSI:74 Circuit breaker monitoring Relay self-monitoring
Logs and records	Disturbance recording Fault locator 21FL Tripping context Event recording
Maximum number of CB controlled	6
Switchgear diagnosis type	CT supervision CT/VT supervision ANSI:60 Trip circuit supervision ANSI:TCS
Residual current inputs	1 current input CT... 1/5 A
Digital inputs nominal operation voltage	110...230 V AC/DC

Complementary

Cybersecurity	Password protection Port hardening
Number of setting groups	4
Time synchronisation protocol	SNTP
Web server	Embedded HTTP server
Software name	Easergy SmartApp ESetup Easergy Pro virtual simulation test
Display type	LCD
Display resolution	128 x 64 pixels
Local signalling	8 LEDs programmable 4 LEDs

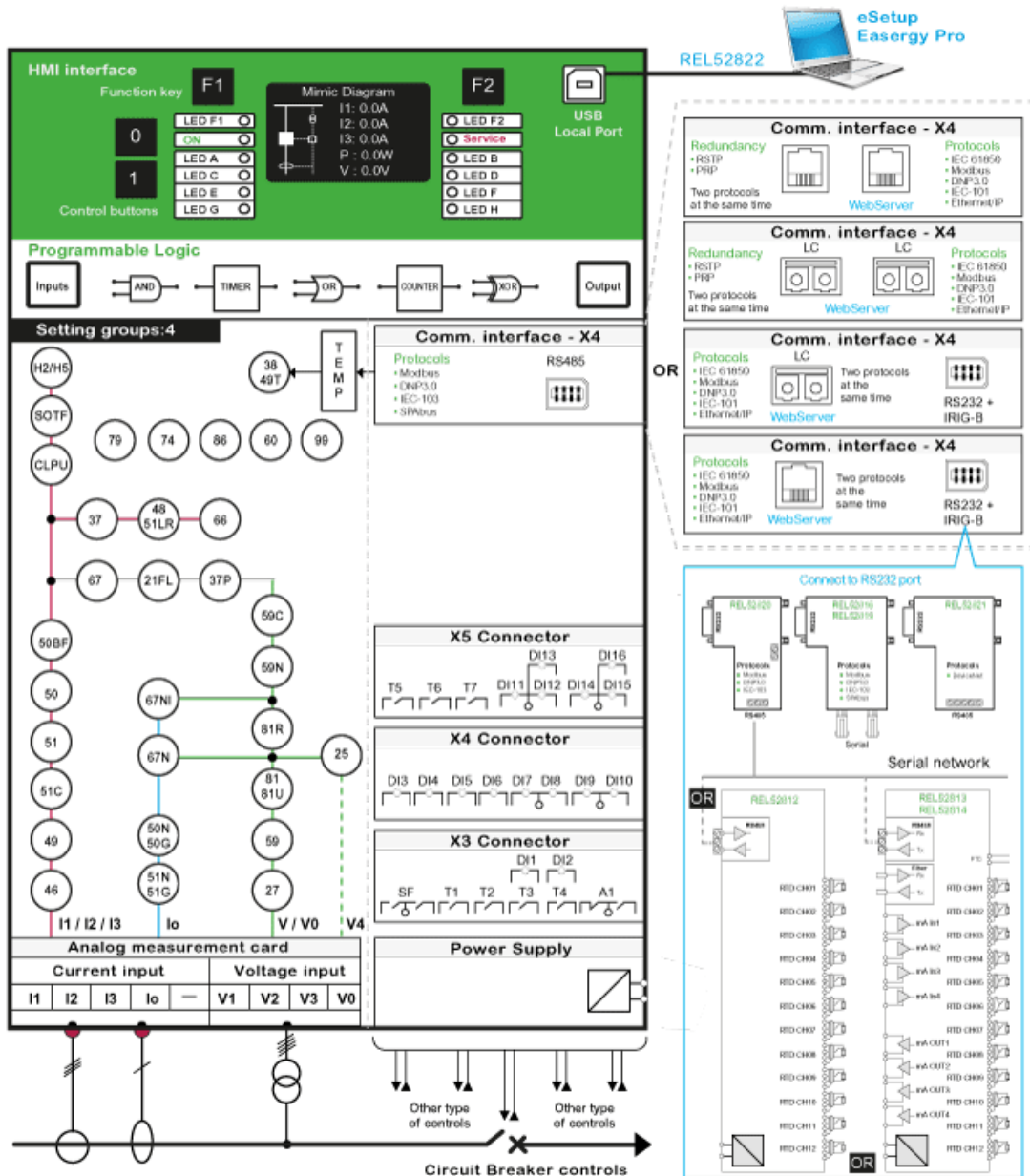
Environment

Standards	IEC
Height	169.5 mm
Width	170 mm
Depth	205 mm
Product weight	3.5 kg maximum
Ambient air temperature for storage	-40...70 °C
IP degree of protection	IP54 conforming to IEC 60529
Operating altitude	2000 m

Offer Sustainability

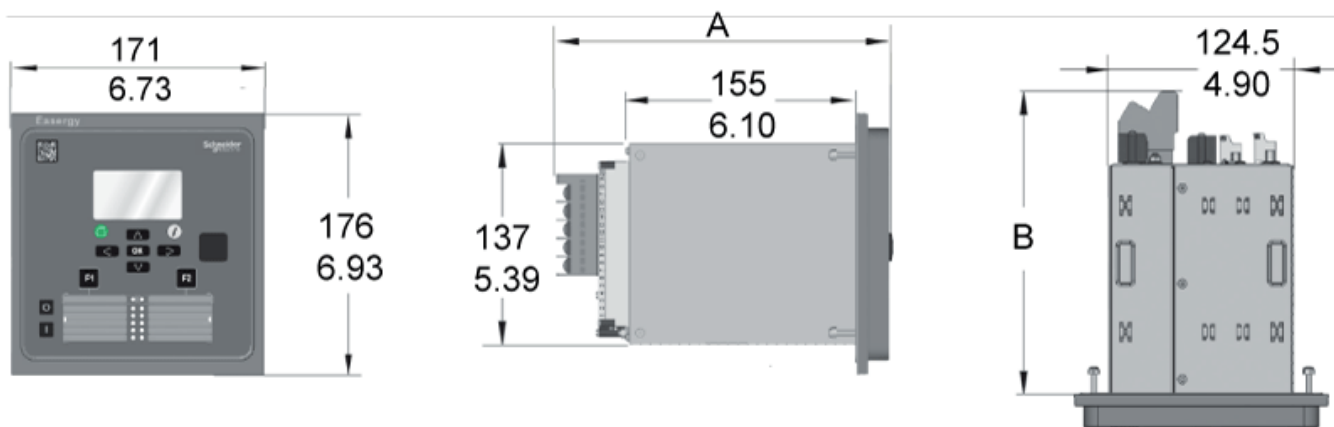
Sustainable offer status	Green Premium product
RoHS (date code: YYWW)	Compliant - since 1741 - Schneider Electric declaration of conformity Schneider Electric declaration of conformity
REACH	Reference not containing SVHC above the threshold Reference not containing SVHC above the threshold
Product environmental profile	Available Product Environmental Profile
Product end of life instructions	Available End of Life Information

Functional View



Base Unit Dimensions

mm
in.



	A	B
With screw connector	214 mm/8.43"	192 mm/7.6"
With ring-lug connector	226 mm/8.90"	204 mm/8.0"