



### Main

|                             |   |
|-----------------------------|---|
| Range of product            | Harmony XAP   |
| Product or component type   | Die-cast empty control station  |
| Device short name           | XAPM  |
| Product destination         | For Ø 22 mm control and signalling units  |
| Product front plate size    | 80 x 130 mm   |
| Usable depth                | 49 mm   |
| Number of cut-out           | 3 cut-outs  |
| Colour of base of enclosure | Blue  |
| Colour of cover             | Blue  |
| Material                    | Zinc alloy  |
| Cable entry                 | 1 hole with blanking plug for ISO 429248 cable gland 20 mm<br>1 hole without blanking plug for ISO 429248 cable gland 20 mm |
| Device mounting             | Flush   |
| IP degree of protection     | IP69 conforming to NF C 20-010<br>IP65 conforming to IEC 60529<br>IP69K   |

### Complementary

|                         |          |
|-------------------------|----------|
| Number of vertical rows | 1        |
| Product weight          | 0.605 kg |

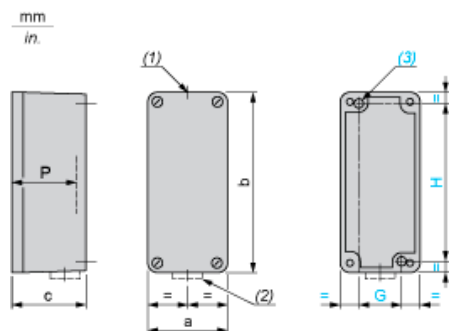
### Environment

|                                       |  |
|---------------------------------------|--|
| Protective treatment                  | TC   |
| Ambient air temperature for storage   | -40...70 °C  |
| Ambient air temperature for operation | -40...70 °C  |
| Overtoltage category                  | Class I conforming to NF C 20-030<br>Class I conforming to IEC 60536 |

### Contractual warranty

|                 |           |
|-----------------|-----------|
| Warranty period | 18 months |
|-----------------|-----------|

Dimensions and Fixing

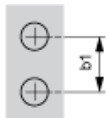


- (1) 1 hole, without blanking plug, for cable gland with 14 mm/0.55 in. maximum clamping capacity
  - (2) 1 hole, with blanking plug (protrusion 6 mm/0.23 in.), for cable gland with 14 mm/0.55 in. maximum clamping capacity
  - (3) 2 x Ø 5.6 mm/0.22 in. holes, depth 20 mm/0.78 in.
- P Usable depth

| a  |      | b   |      | c    |      | G  |      | H   |      | P  |      |
|----|------|-----|------|------|------|----|------|-----|------|----|------|
| mm | in.  | mm  | in.  | mm   | in.  | mm | in.  | mm  | in.  | mm | in.  |
| 80 | 3.15 | 130 | 5.12 | 51.5 | 2.03 | 50 | 1.97 | 115 | 4.53 | 49 | 1.93 |

Refer to the product characteristics to get the number of cut-outs.

Cut-out interaxis dimensions



b1 Vertical interaxis: 30 mm/1.18 in.